

# fothermo

use the power of the sun



## USER MANUAL

## BEDIENUNGSANLEITUNG

### **EN PHOTOVOLTAIC HYBRID WATER HEATER (PVB-30-, -80-AC)**

Technical description,  
installation, operation and  
maintenance instructions,  
warranty conditions

### **DE PHOTOVOLTAISCHER HYBRID BOILER (PVB-30-, -80-AC)**

Technische Beschreibung,  
Montage-, Betriebs- und  
Wartungsanleitung,  
Gewährleistungsbedingungen

# TABLE OF CONTENTS

<b>SCHEMATICS OF THE MANUFACTURER</b> .....	<b>5</b>
<b>SPECIFICATIONS</b> .....	<b>6</b>
<b>SYSTEM MODES</b> .....	<b>7</b>
<b>ASSEMBLY</b> .....	<b>8</b>
<b>CONNECTION</b> .....	<b>9</b>
<b>FURTHER INFORMATION</b> .....	<b>10</b>
GENERAL WARNINGS .....	10
SAFETY INSTRUCTIONS .....	10
FURTHER IMPORTANT NOTES .....	10
TECHNICAL DATA .....	11
ASSEMBLY .....	11
CONNECTION TO THE WATER SUPPLY .....	12
ELECTRICAL CONNECTION - PV .....	13
CONNECTION OF AN EXTERNAL AC-REHEATING: .....	15
OPERATION .....	15
MAINTENANCE .....	16
MALFUNCTION .....	17
ENVIRONMENTAL PROTECTION .....	17
WARRANTY .....	17

# INHALTSVERZEICHNIS

<b>ZEICHNUNGEN DES HERSTELLERS</b> .....	<b>18</b>
<b>SPEZIFIKATIONEN</b> .....	<b>19</b>
<b>SYSTEM MODI</b> .....	<b>20</b>
<b>MONTAGE</b> .....	<b>21</b>
<b>ANSCHLUSS</b> .....	<b>22</b>
<b>WEITERFÜHRENDE INFORMATIONEN</b> .....	<b>23</b>
<b>ALLGEMEINE WARNHINWEISE</b> .....	<b>23</b>
<b>SICHERHEITSHINWEISE</b> .....	<b>23</b>
<b>WEITERE WICHTIGE HINWEISE</b> .....	<b>24</b>
<b>TECHNISCHE DATEN</b> .....	<b>24</b>
<b>MONTAGE</b> .....	<b>24</b>
<b>ANSCHLUSS AN DIE WASSERLEITUNG</b> .....	<b>25</b>
<b>ELEKTRISCHER ANSCHLUSS - PV</b> .....	<b>27</b>
<b>ANSCHLUSS EINER EXTERNEN AC-NACHHEIZUNG:</b> .....	<b>29</b>
<b>BETRIEB</b> .....	<b>29</b>
<b>WARTUNG UND INSTANDHALTUNG</b> .....	<b>30</b>
<b>STÖRUNGEN</b> .....	<b>31</b>
<b>UMWELTSCHUTZ</b> .....	<b>31</b>
<b>GEWÄHRLEISTUNGEN</b> .....	<b>31</b>
<b>CONTACT</b>	
<b>CONTACT / KONTAKT</b> .....	<b>36</b>

EN

**IMPORTANT!**

Please read these operating instructions carefully before installing and commissioning the hot water tank!

**WICHTIG!**

Bitte lesen Sie diese Bedienungsanleitung vor Montage und Inbetriebnahme des Warmwasserspeichers sorgfältig durch!

# CONTACT

CONTACT / KONTAKT



fothermo System AG  
Im Starkfeld 45b  
89231 Neu-Ulm  
Germany



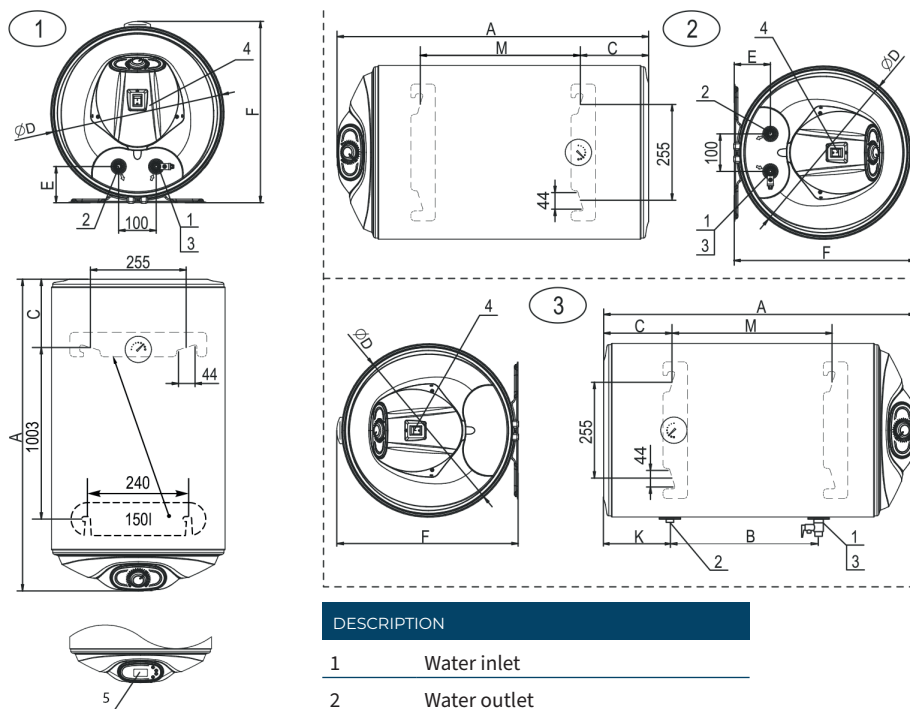
+49 (0) 7346 96 49 960



contact@fothermo.com

Registry court Ulm: HRB 739609  
VAT: DE329022123

# SCHEMATICS OF THE MANUFACTURER



## DESCRIPTION

- |   |                             |
|---|-----------------------------|
| 1 | Water inlet                 |
| 2 | Water outlet                |
| 3 | Combined valve              |
| 4 | Rotary knob with thermostat |
| 5 | Electronic control          |

## PHOTOVOLTAIC WATER HEATERS

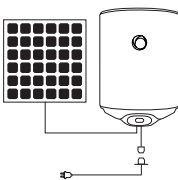
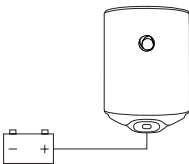
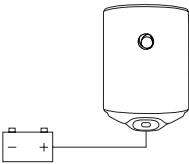
Model	PVB-30-AC	PVB-80-AC	
Volume	30	80	
Figure	1   2   3		
Dimensions (mm)	A	560	835
	C	155	185
	D	387	462
	E	80	96
	F	410	484

# SPECIFICATIONS

	UNIT	30 LITER	80 LITER
<b>PHOTOVOLTAIC WATER HEATER</b>			
Product model	–	PVB-30-AC	PVB-80-AC
Volume	l	29	77
Rated pressure	MPa	0,7	0,7
IP class	–	24	24
Gross weight (± 3%)	kg	15	25
Dimensions (length, width, height)	cm	40x40x60	47x48x90
Check and pressure relief valve	–	✓	✓
Cathode protection	–	✓	✓
Emailed protection	–	✓	✓
Insulation	–	✓	✓
Energy efficiency class	–	C	C
Water connection	–	G½ (M)	G½ (M)
Integrated reverse polarity protection	–	✓	✓
Digital display	–	✓	✓
CE - certified	–	✓	✓
<b>PHOTOVOLTAIC INPUT</b>			
Max. photovoltaic heating power	W	550	550
Max. photovoltaic current consumption	A	15,5	15,5
Max. water temperature	°C	65	65
Integrated MPP tracker	–	✓	✓
Recommended photovoltaic power	W <sub>p</sub>	300 – 600	600 – 1200
Max. connected photovoltaic power	W <sub>p</sub>	2000	2000
Max. open circuit voltage	V <sub>oc</sub>	42,4	42,4
Photovoltaic connector	–	MC4	MC4
<b>REHEATING VIA 230 V POWER GRID</b>			
Type of reheating		directly via the wall socket	
Heating power	W	1500	1500
Adjustable water temperature range	°C	10 - 75	10 - 75
<b>WATER HEATING DEPENDING ON THE CURRENTLY AVAILABLE PHOTOVOLTAIC POWER</b>			
200W	°C/h	6	2
400W	°C/h	12	4,5
550 W	°C/h	16	6

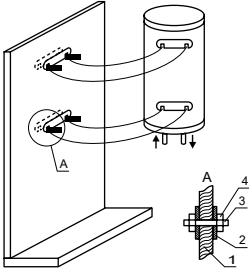
**NOTE:** Only 36 cell and 60/120 cell photovoltaic modules should be connected to the water heater.

# SYSTEM MODES

MODE	PICTURE	DESCRIPTION	ENERGY SOURCE
1. Photo-voltaic		The boiler is primarily powered by photovoltaic current. If no solar energy is available, the integrated mains current reheating function can optionally be used to heat the water to the set minimum temperature on the rotary knob.	PV module + 230 V reheating
2. 12 V - battery		Via the MC4 contact plugs, a battery can also be connected. As soon as the connected battery reaches a voltage of 13.5 V, the excess energy is used to power the boiler. This happens while the battery is being charged.	12 V battery Approved: LiFePO4, lead acid battery
3. 24 V - battery		Via the MC4 contact plugs, a battery can also be connected. As soon as the connected battery reaches a voltage of 27 V, the excess energy is used to power the boiler. This happens while the battery is being charged.	24 V battery Approved: LiFePO4, lead acid battery

# ASSEMBLY

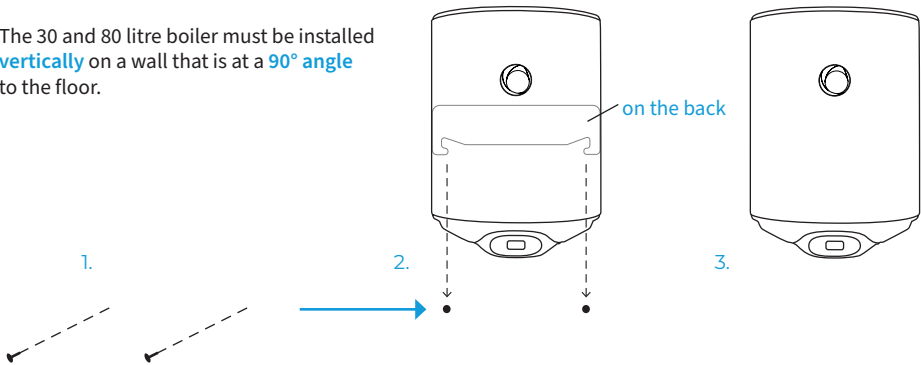
## PHOTOVOLTAIC WATER HEATER – PVB-30-, AND 80-AC



### DESCRIPTION

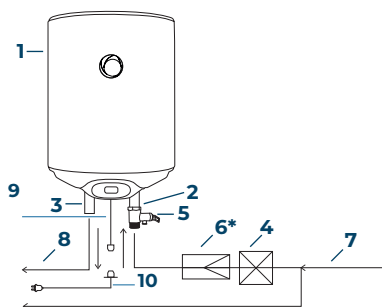
1	Wall
2	Plate
3	Stud
4	Nut

The 30 and 80 litre boiler must be installed **vertically** on a wall that is at a **90° angle** to the floor.





# CONNECTION



- 1 Water heater
  - 2 Water inlet
  - 3 Water outlet
  - 4 shut-off valve\*
  - 5 combined check and pressure relief valve
  - 6 Pressure reducing valve\*
  - 7 Cold water
  - 8 Hot water
  - 9 Device plug for external mains current
  - 10 Power cable\*
- \*not included

\*necessary if water pressure  
> 0.5 MPa (5 bar)

## HEATING TIME OF THE WATER DEPENDING ON PV-POWER

power	PVB-30-AC	PVB-80-AC
200W	6°C/h	2°C/h
400W	12°C/h	4,5°C/h
550W	16°C/h	6°C/h

### NOTE

The values given in the table are intended as a guideline. The heating times depend on many factors (power, ambient air temperature, water withdrawal) and may differ from reality. The greater the connec-

ted photovoltaic power, the more the water can be heated on days with low solar radiation. The water is heated with a maximum power of 550 W, even if more photovoltaic power is available.

## HEATING TIME OF THE WATER WITH 230V REHEATING

power	PVB-30-AC	PVB-80-AC
1500W	45°C/h	15°C/h

# FURTHER INFORMATION



Dear clients, thank you for choosing device from fothermo system AG - Germany!

It will be a trustworthy helper in your household for many years because in its production we have combined high quality materials and innovative technologies. To be sure of its hopeful and trouble-free operation, please read the installation and operating instructions carefully.

**WARNING!** Before installation and operation with the appliance, read carefully the present manual!

## GENERAL WARNINGS

Be sure to carefully read the instructions and warnings in this manual before installing and operating the water heater. The information contained in this manual is intended to familiarize you with the water heater, the rules of its correct and safe operation, and the minimum requirements for its maintenance and servicing. Furthermore, you are obliged to make this manual available to the qualified persons who will install and potentially repair the appliance. The installation of the water heater and the verification of its functionality is not within the distributor's warranty obligation nor the manufacturer.

These instructions should always be kept near the appliance for future reference. Compliance with the rules here described is part of the measures for the safe use of the product and is considered part of the warranty conditions.

## SAFETY INSTRUCTIONS

**WARNING!** There is a risk of burns or scalding when using the appliance!

**WARNING!** This appliance may be used by children of age over 3 years old and persons with reduced physical, sensory or mental capabilities, or lack of experience and knowledge, where they are under supervision or instructed about the safe use of the appliance and understand the dangers. Children must not be allowed to play with the unit! It is absolutely forbidden that children undertake cleaning or servicing of this appliance! Children aged from 3 to 8 years are only allowed to operate the tap connected to the water heater.

**IMPORTANT!** Only qualified persons may install the water heater and connect it to the water pipe follo-

wing the specifications given in this manual and the relevant local regulations. The protective devices provided or recommended by the manufacturer, as well as all other assemblies, are **UNCONDITIONALLY** to be installed!

**IMPORTANT!** Be sure to fill the water heater with water before connecting it to the electrical supply! Failure to comply with the electrical connection conditions affects the safety of the appliance, whereby the water heater must not be operated.

**IMPORTANT!** Observe the maximum permissible pressure (see chapter: Technical data).

## FURTHER IMPORTANT NOTES

- The appliance is under pressure. During heating, expansion water may drip from the pressure relief valve.
- Operate the pressure relief valve regularly to prevent it from being stuck, e.g. due to lime-scale deposits.
- Install a type-tested pressure relief valve in the cold-water supply line. Note that depending on the pressure of the supply, you may also need a pressure reducing valve.
- Mount the pressure relief valve with the opening facing down.
- Mount the pressure relief valve and the drainpipe with a steady downward slope in a frost-free room.
- Dimension the drainpipe to allow the water to flow off unhindered when the pressure relief valve is fully open.
- The pressure relief valve opening must remain open to the atmosphere.
- This device contains a support battery, which is

not replaceable. It is necessary for the display to function at night. A defect does not limit the basic functionality.

- This unit may be operated up to an altitude of 4000 m above sea level.
- Reheat Function is optional. You can either only use PV-energy or PV-energy combined with re-heat-power.

## TECHNICAL DATA

This water heater can provide hot water from the public water supply system for several consumers. The water used for heating must comply with the requirements in the normative documents for domestic water, in particular: Chloride content up to 250 mg/l; electrical conductivity more than 100  $\mu\text{S}/\text{cm}$ , pH value 6,5-8 for enamelled hot water tanks. The thermal insulation consists of CFC-free polyurethane foam.

The maximum electrical power with PV-energy of the water heater is 550 W. The actual power consumption of the heating element depends on the connected photovoltaic power as well as on the radiation strength provided by the sun. The water is heated to a maximum of 65 °C to ensure scalding protection. Detailed information can be found in the data sheet or on the nameplate. In addition to the photovoltaic power, an external reheating with 1,5 kW can be connected. The minimum temperature can be set with a rotary control.

The water heaters are equipped with a combined check and pressure relief valve (Table 1, No. 5) to prevent overpressure during appliance operation. The water tanks are made of steel with a high-strength enamel coating and additional cathode protection provided by a magnesium anode.

## ASSEMBLY

The water heater can be installed only in normal fire safeguarded premises and where temperature cannot fall under 0 °C. The availability of a siphon on the installation for waste waters as during normal usage of the water heater, water may leak from the safety valve aperture. At the same time the siphon will facilitate the water tank maintenance, prevention and servicing operations when water needs to be drained out of the water tank.

When selecting a suitable installation location for the water heater, the following must be considered:

- Wall type and material,
- dimensions of the unit,
- mounting type,
- arrangement of the fastening elements for wall mounting,
- arrangement of the pipes and the degree of protection against water leakage.

The appliance must be mounted where it is protected against water dispersion or water pouring over. In order to reduce heat loss it is recommended to keep minimum distance between the heater and the places where the hot water is used. If you purchased a water heater with factory-fitted power cord with plug, the unit cannot be installed in a wet premise! The location of the device must comply with the requirements for the electric installation and its contact. It is obligatory that there are spaces provided between the appliance and the surrounding walls and the ceiling of the premise, as follow:

- For vertical water heaters – at least 70 mm between the appliance and the ceiling; at least 50 mm between the appliance and the side wall; at least 350 mm below the appliance to facilitate servicing and possible repair.

The water heater should be installed steadily on the wall of the premises. For this purpose steel bolts (studs), tightly fixed in the wall, with diameter 10-12 mm are used. The fixing elements should be secured against pulling aside the wall – they should be anchor or passage bolts (depending of the wall construction material). It is recommended that the elements on which the heater will be suspended are designed for three times greater loads than the appliance total weight and located in the water therein. Installation of the water heater on decorative walls (made of single bricks or of other light materials) is strictly forbidden. On Fig. 1,2,3,7 and in the tables are shown the distances between the bolts (studs) for mounting the units. Vertical water heaters of 150 liters are equipped with special type of suspension plates and correspondingly the distance between the bolts (studs) differs from that of other models and modifications.

**WARNING!** The bearing plates of horizontal water heaters must be securely clamped to the premise wall. Under the bolts heads (nuts on studs) must be

placed support washers! A drilling hole template is printed on the product packaging.

The installation site must comply with the requirements of the electrical installation. During installation, provide sufficient distance to adjacent walls and sufficient space under the unit for the water and photovoltaic connections.

## CONNECTION TO THE WATER SUPPLY

When connecting the device to the water supply, please observe the indicated arrows and rings around the cold and hot water pipes (supply and return pipes). The cold-water pipe features a blue ring and is marked with an arrow pointing towards the pipe. The hot water pipe is indicated by an arrow pointing out of the pipe and a red ring.

The water heater is equipped with a combined check and pressure relief valve, which is included in the product packaging and **MUST** be installed on the cold-water pipe. The arrow on the body of the valve, which indicates the direction of water flow through the valve, must be followed during this installation.

**WARNING!** The absence or improper installation of the combined valve supplied with the product is grounds for voiding the product warranty.

**WARNING!** It is **FORBIDDEN** to install any kind of shut-off fittings between the combined valve and the water heater! It is absolutely forbidden to obstruct the lateral opening of the combined valve and/or to block its lever!

The pipe connectors have male G½ threads.

The water heater operates by the pressure of the water pipe. The water pressure of the water supply system should be higher than 0,1 MPa (1 bar) and lower than 0,5 MPa (5 bar). If the pressure of the water pipe exceeds 0,5 MPa, a pressure reducing valve must be installed.

If additional equipment, which is not included in the standard delivery, must be used to comply with local regulations, they must be installed according to these specifications.

In case the water pipes are made of copper or other metal which differs from the metal of the water tank,

as well as if connecting elements made of brass are used, non-metal fittings must be installed on the supply and return side of the water heater (dielectric fittings).

**WARNING!** The installation of any shut-off or non-return fittings between the pressure relief valve and the water heater, as well as blocking the side opening of the pressure relief valve and/or locking its lever is prohibited!

A drainage system to remove any water that may drip from the side opening of the pressure relief valve is recommended. The drain line must be designed with a constant downward slope in a frost-free environment and must remain open. After connecting the water heater to the water supply, fill the tank with water. The sequence of steps to be performed is:

- Fully open the hot water tap of the most distant mixing tap.
- Open the shut-off valve. (Table 1, No. 4)
- Wait until the air is released from the system and a strong jet of water flows from the mixer tap. Let the water run for about 30 seconds.
- Close the hot water tap of the mixer tap.
- Lift the small lever of the pressure relief valve (Table 1, No. 5), wait 30-60 seconds until a strong stream of water flows out of the side opening of the valve.
- Loosen the valve lever.

**WARNING!** If no water or only a thin stream of water flows out of the valve opening, this indicates a malfunction. A possible contamination of the water pipe might be present. The fault must be eliminated before the unit is put into operation.

**IT IS FORBIDDEN** to proceed with appliance electric connection before eliminating the reason for malfunction!

**WARNING!** Failure to comply with the requirements for connection to the water supply system may cause partial filling up of the water tank and malfunction of the heating element, or when the combined valve is not installed at all or has been improperly installed this may even cause destruction of the water tank, the room and/or other damages to tangible and intangible property. Such consequences are not within the scope of manufacturer or seller warranty liabilities and shall be at the expense of the party, which

has not observed the present manual instructions.

**WARNING!** The combined check and pressure relief valve is one of the protective devices that ensure the safe operation of the water heater. The use of the water heater with a damaged or removed/unassembled combined check and pressure relief valve (safety valve) is **STRICTLY PROHIBITED!**

The pressure relief valve can also be used to drain the water from the tank if desired. In such case, proceed as follows:

- Disconnect the water heater from any live electrical wiring.
- Disconnect the cold-water inlet.
- Open the hot water tap of the mixing tap or disconnect the hot water pipe (return pipe) of the water heater.
- Lift the small lever of the pressure relief valve (Table 1, No. 5) and wait until no more water leaves the valve.
- **WARNING!** The running water can be hot – risk of scalding.

These steps do not still secure the complete draining of the water out of the tank. It is completed only by a qualified person because it requires complete disconnection of the appliance electric circuit and dismantling the water tank flange.

**WARNING!** It is **STRICTLY PROHIBITED** to turn on the heater power while the water tank is partially or completely emptied of water! Do not forget to fill the tank with water before putting it back into operation.

**WARNING!** The coolant circulation through the heat exchanger of a water heater equipped with such device is **PROHIBITED** when the water tank is partially or completely emptied of water.

**WARNING!** When draining the water out of the water tank all necessary precautions must be taken to prevent damages from flowing out water.

**IMPORTANT!** In Denmark, Sweden, Norway and Finland, the connection of the water heater to the public water supply may only be performed using a suitable pressure reducing valve. The local regulations must be observed.

## ELECTRICAL CONNECTION - PV

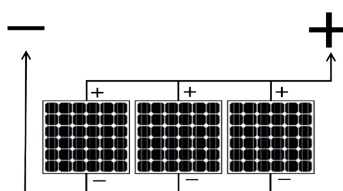
**WARNING!** Any electrical connection may only be performed when the water heater is filled with water.

**IMPORTANT!** At the PV-input the water heater is powered by direct current. The water heater is protected against electric shock "class III" and may only be supplied with safety extra-low voltage (SELV). Only power sources recommended by the manufacturer may be connected. A faulty and/or unsuitable power supply involves a high risk and is likely to cause an accident. The connection cables of the device must be replaced if they are damaged.

**IMPORTANT!** Photovoltaic modules **ONLY** be connected in **PARALLEL**. When connecting more than one photovoltaic module, always use a suitable connector for parallel connection. For more information, refer to the illustration "Parallel PV-Connector". Connecting photovoltaic modules in series will damage the water heater.



Parallel PV-Connector Pay attention to correct polarity when connecting!



Connection of PV-modules in parallel configuration only! Serial connection will damage the unit!

The electrical connection of the water heaters is performed using the factory supplied MC4 plugs. Check the functionality of the appliance after the electrical connection has been performed. When all supply connections are removed, the water heater is completely disconnected from the power sources.

**Connection of PV modules**

**IMPORTANT!** The installation and electrical parallel connection of PV modules may only be carried out by a qualified person and may not endanger third parties. When installing the photovoltaic modules, the locally prevailing rules and laws must be complied with.

**IMPORTANT!** Keep cables out of the way to avoid tripping over them or getting caught. There is a risk of injury. The cables must be fastened in such a way that no tensile load is applied to the connectors. Furthermore, it must be ruled out that the cables and connectors rub against surfaces and edges (e.g. in wind). The cables must not lie in water permanently.

**IMPORTANT!** Only photovoltaic modules with a maximum of 60 resp. 120 cells and an open-circuit voltage of 42,4 V may be connected.

- Photovoltaic modules must be connected correctly using the factory supplied MC4 plugs.
- You may connect up to five modules in parallel. Depending on the module, this corresponds to an MPP output of approximately 1500 W<sub>p</sub>.

Dimensioning of the required photovoltaic power:

- The higher the number of hours of sunshine per day, the smaller the required PV power.
- The warmer the water taken from the pipeline, the lower the required PV power.
- Dimension the required photovoltaic power according to the months with the lowest solar radiation in which the photovoltaic water heater will be in operation.
- The greater the amount of hot water consumed per day, the larger the PV power required.

The following table serves as a guideline for dimensioning the photovoltaic power needed depending on the climatic conditions:

climatic conditions	PVB-30-AC	PVB-80-AC
countries with low sunshine e.g. Northern and Central Europe	600W <sub>p</sub>	1200W <sub>p</sub>
sunny countries e.g. Southern Europe and Africa	300W <sub>p</sub>	600W <sub>p</sub>

These values given are guidelines. Depending on the conditions prevailing on site and the specific conditions of consumption, the appropriate design of the photovoltaic output may vary from the values described.

**Extension of the Photovoltaic Line**

When extending the photovoltaic cable, the MC4 contact plugs must be properly attached to ensure functionality and safety. Basically, the PV cable should be kept as short as possible.

A length recommendation depending on the connected nominal PV generator power can be found in the following table.

Connected PV power	4 mm <sup>2</sup>	6 mm <sup>2</sup>	10 mm <sup>2</sup>
~325W <sub>p</sub>	≤ 18 m	≤ 27 m	≥ 27 m
~650W <sub>p</sub>	≤ 11 m	≤ 16 m	≥ 16 m
~975W <sub>p</sub>	≤ 9 m	≤ 13 m	≥ 13 m

Recommended cable length (there and back) for different nominal powers and cross-sections

## CONNECTION OF AN EXTERNAL AC REHEATING:

**IMPORTANT!** Only use certified connection plugs (IEC-320 - C13 plugs) recommended by the manufacturer. Non-compliance will invalidate the warranty and may damage the water heater.

The external reheating feature extended use of the photovoltaic boilers. For example, long periods of bad weather can be bridged by connected AC power.

## OPERATION

**WARNING!** This appliance may be used by children of age over 3 years old and persons with reduced physical, sensory or mental capabilities, or lack of experience and knowledge, where they are under supervision or instructed about the safe use of the appliance and understand the dangers. Children must not be allowed to play with the unit! It is absolutely forbidden that children undertake cleaning or servicing of this appliance! Children aged from 3 to 8 years are only allowed to operate the tap connected to the water heater.

### Operation

#### Switch On:


Press the -button for three seconds.

#### Display:


The present water temperature is shown on the display.

- POWER IN: Input power of the PV modules
- VOLTAGE: Input voltage of the PV modules
- USED PV ENERGY: Total PV energy utilised

#### Menu Navigation:

Press the -button briefly. By pressing the button again, you jump to the next page in the menu.

#### Settings:

Press the -button repeatedly. This allows individual adjustments on the unit to be made. Please note: The adjustments are only active when an external energy supply is connected to the photovoltaic water heater.

- **CHANGE SYSTEM MODE:** Select the desired mode by pressing the -button. Mode 1 (PV HOME) is set as the factory default.

### Quick guide: System modes

#### Mode 1 (photovoltaic)

For the direct connection of photovoltaic modules. If desired plus a fothermo AC-reheating via mains current.

#### Mode 2 to 3

For the connection of other energy sources such as a battery. A battery cable is needed to plug in the battery via MC4-connectors. The battery is not included. More detailed information can be found in the respective product description.

#### Switch off:

Press the -button for three seconds.

#### Set reheating temperature

If external mains voltage is connected. The garanted teperature which the water heater holds all time can be adjusted with the rotary knob.

In summertime when the sun is shining properly and the water heater is able to ensure reliable heating with PV alone, the recommendation is to set the rotary knob to the lowest temperature.

If the solar radiaton is not enough, set the rotary know to the requested temperature (recommen- dation 35°C to 40°C).

### Further important notes:

#### Leakage of water

The pressure relief valve can drip during the operation of the water heater due to the expansion of the water while heating. Ensure that the leaking water is directed to a collection container or a drain. The dripping of water does not indicate a defect. The side valve opening must not be closed under any circumstances.

The installation of a drainpipe facilitates future maintenance and servicing operations, as the water can be drained from the water heater easily.

#### Noise emission

Noise may be generated inside the device during the heating process, which is caused by lime deposits on the heating element. An increased formation of limescale can be observed at water temperatures above 60°C. This may cause impair-

ment and damage to the heating elements and the water heater.

### Formation of legionella

Due to the small volume of the hot water tanks, the risk of the formation of legionella in the system is almost excluded. Nevertheless, to take precautions, the following measures are recommended:

- Supply of fresh water or regular water withdrawal.
- Heating the water frequently to at least 60 °C.
- It is recommended to change the water after the appliance has not been used for more than one month.

## MAINTENANCE

**IMPORTANT!** Before maintenance and servicing, disconnect the boiler from the mains and other energy sources.

**IMPORTANT!** The cover may only be opened by qualified personnel.

### Repair instructions

All electronic repair work may only be carried out by a qualified electronic technician. There is a risk of injury. Modifying the cables and electronics voids the warranty. The cables of the circuit (DC) of the solar modules are marked red and black.

The color-coding of the cables of the AC post-heating (230V) are as follows:

- Neutral conductor (N) - blue
- Protective conductor (PE) - green/ yellow
- 230V AC - phase/ load (L) - brown

### Corrosion protection

Every water heater features an enamelled water tank with additional corrosion protection. This corrosion protection consists of a magnesium anode (sacrificial anode). The anode is a wearing part (i.e. it wears out during normal operation of the unit). The average life span is about 3 years, which depends particularly on the operating mode of the appliance as well as the characteristics of the water to be heated. The condition of the anode should be checked at regular intervals and, if necessary, replaced by a service specialist authorized by the manufacturer or distributor.

Compliance with the deadline and the timely renewal of the anode are important conditions for efficient corrosion protection of the water tank. The examination and the renewal of the anode are not included in the warranty obligations of the manufacturer nor the dealer. To ensure the safe operation of the water heater in regions with calcareous water, it is recommended to clean the water tank regularly from accumulated limestone. Such cleaning should be carried out at least every two years, or more frequently in regions with calcareous water. Deposits on the enamel coating do not need to be scraped off, just wiped off with a dry cotton cloth. The regular cleaning and removal of the limescale is essential to ensure the safe operation of the appliance. Whilst cleaning the anode of the enamelled water tank should also be checked. These services are not part of the warranty scope and must be carried out by qualified persons. The regulations for the inspection of the anode protection and renewal of the anode, as well as the removal of the collected limestone, must be observed both during and after the expiration of the warranty period for the appliance.

### Combined check and pressure relief valve

To guarantee the proper and safe operation of the water heater, regularly check the combined check and pressure relief valve for reduced permeability. For this purpose, lift the small lever and wait approx. 30-60 seconds until a strong stream of water flows out of the valve opening on the side. This check must be carried out after filling the tank with water, at 2-week intervals and after failure and restoration of the water supply. If no water or only a thin stream flows out of the valve opening, this indicates a malfunction. A possible contamination of the water pipe might be present. The fault must be eliminated before commissioning.

### Cleaning


The outer casing and the plastic parts of the water heater should only be cleaned with a lightly moistened cotton cloth, free of aggressive and/or scouring agents. Do not clean the appliance with a steam cleaner. The water heater may only be put back into operation after the moisture has completely vanished.



## MALFUNCTION

In case of a malfunction during the operation of the water heater, disconnect all live wires from the appliance and contact the manufacturer or your distributor.

## ENVIRONMENTAL PROTECTION

This device is labelled by the Waste Electrical and Electronic Equipment (WEEE) directive. By ensuring that the appliance is taken to a suitable disposal centre at the end of its service life, you will help to protect the environment and prevent negative effects on the environment and human health. The -symbol on the water heater indicates that the appliance must not be disposed of with regular household waste at the end of its life. The product must be taken to a disposal centre with special facilities for electrical or electronic equipment. The end-user must comply with local disposal regulations when disposing of the product. For more information on treatment, recovery, and recycling procedures, contact your local city office, your local waste disposal centre, or the retailer from whom you purchased the product.

## WARRANTY

The warranty of the appliance is only valid under the following conditions:

- The unit is installed in accordance with the installation and operating instructions.
- The appliance is only used for its intended purpose and in accordance with the installation and operating instructions.

The manufacturer's warranty covers the repair of all manufacturing defects that occur during the warranty period. Only professionals authorized by the seller may carry out repairs. The warranty does not cover damage resulting from:

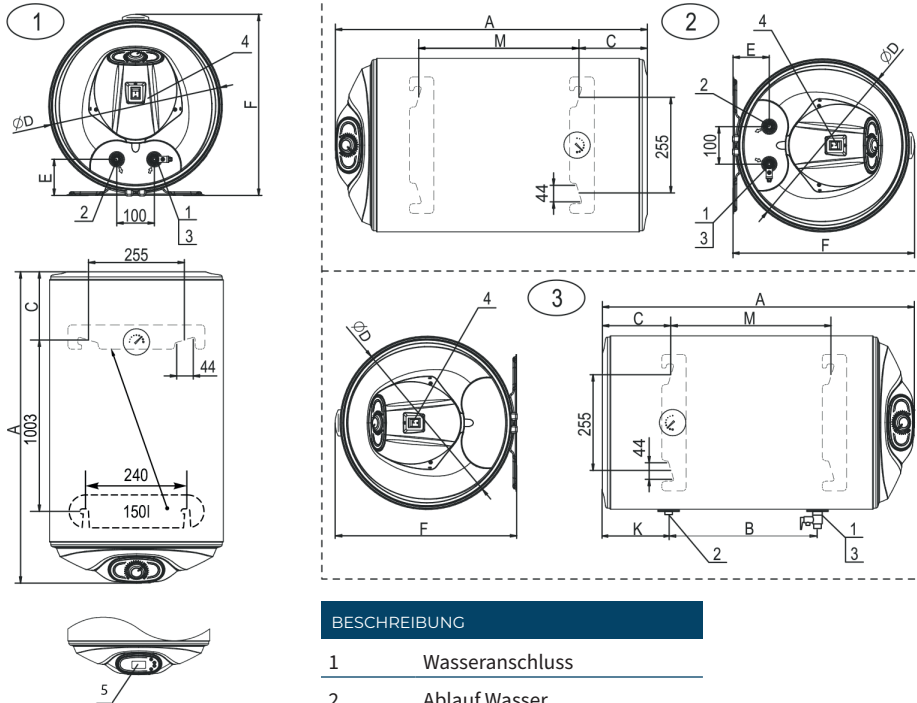
- improper transport
- improper storage
- improper use
- unsuitable water parameters
- improper electrical voltage which deviates from the rated voltage
- freezing of water

- exceptional risks, accidents, or other force majeure
- failure by disregarding the installation and use instructions
- in all cases when an unauthorized person attempts to repair the appliance.

In the aforementioned cases, the damage will be repaired against payment. The guarantee does not apply to parts and components of the device that are worn out during its normal operation, nor to parts that are dismantled, to lights and signal lamps, etc., to discoloration of external surfaces, to changes in the shape, dimensions, and arrangement of parts and components that have been subjected to an impact that does not correspond to the normal conditions of use of the device. Any missed benefits, material and immaterial damages resulting from temporary inability to use the unit during the period of its repair and maintenance, are not covered by the warranty of the unit.

COMPLIANCE WITH THE REQUIREMENTS SPECIFIED IN THE MANUAL IS A PREREQUISITE FOR THE SAFE OPERATION OF THE PURCHASED PRODUCT AND IS INCLUDED IN THE TERMS OF THE WARRANTY. ANY MODIFICATIONS OR ALTERATIONS TO THE DESIGN OF THE PRODUCT MADE BY THE USER OR PERSONS AUTHORIZED BY THE USER ARE STRICTLY PROHIBITED. ANY SUCH ACTS OR ATTEMPTS SHALL VOID THE WARRANTY OBLIGATIONS OF THE MANUFACTURER OR DISTRIBUTOR. THE MANUFACTURER RESERVES THE RIGHT TO MAKE STRUCTURAL CHANGES WITHOUT NOTICE, PROVIDED THAT THE SAFETY OF THE PRODUCT IS NOT AFFECTED. WHEN NECESSARY, OR IN CASE OF MISUNDERSTANDINGS IN CONNECTION REGARDING THE TRANSLATION OR TERMS USED IN THIS LANGUAGE VERSION OF THE INSTALLATION AND OPERATING INSTRUCTIONS, PLEASE USE THE GERMAN VERSION AS THE ORIGINAL AND PRIMARY VERSION.

# ZEICHNUNGEN DES HERSTELLERS



## BESCHREIBUNG

- 1 Wasseranschluss
- 2 Ablauf Wasser
- 3 Kombiniertes Ventil
- 4 Drehregler mit Thermostat
- 5 Elektronische Steuereinheit

## PHOTOVOLTAISCHE BOILER

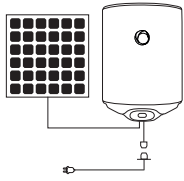
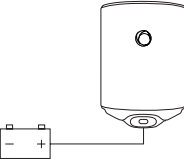
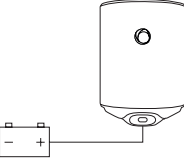
Modell	PVB-30-AC	PVB-80-AC	
Volumen	30	80	
Abbildung	1   2   3		
Abmessungen (mm)	A	560	835
	C	155	185
	D	387	462
	E	80	96
	F	410	484

# SPEZIFIKATIONEN

	EINHEIT	30 LITER	80 LITER
<b>PHOTOVOLTAISCHER BOILER</b>			
Produktmodell	–	PVB-30-AC	PVB-80-AC
Volumen	l	29	77
Nenndruck	MPa	0,7	0,7
IP Klasse	–	24	24
Gewicht (± 3%)	kg	15	25
Maße (Länge, Breite, Höhe)	cm	40x40x60	47x48x90
Kombiniertes Rückschlag- und Überdruckventil	–	✓	✓
Korrosionsschutz	–	✓	✓
Emaillbeschichtung	–	✓	✓
Isolation	–	✓	✓
Energieeffizienzklasse		C	C
Wasseranschluss	–	G½ (M)	G½ (M)
Integrierter Verpolungsschutz	–	✓	✓
Digitales Display	–	✓	✓
CE zertifiziert	–	✓	✓
<b>PHOTOVOLTAIKANSCHLUSS</b>			
Max. photovoltaik Heizleistung	W	550	550
Max. photovoltaik Stromaufnahme	A	15,5	15,5
Max. Wassertemperatur	°C	65	65
Integrierter MPP Tracker	–	✓	✓
Empfohlene Photovoltaikleistung	W <sub>p</sub>	300 – 600	600 – 1200
Max. anschließbare Photovoltaikleistung	W <sub>p</sub>	2000	2000
Max. Leerlaufspannung	V <sub>oc</sub>	42,4	42,4
Photovoltaischer Anschlussstecker	–	MC4	MC4
<b>NACHHEIZUNG ÜBER 230 V STROMNETZ</b>			
Art der Nachheizung		Direkt an der Steckdose	
Heizleistung	W	1500	1500
Einstellbarer Wassertemperaturbereich	°C	10 - 75	10 - 75
<b>HEIZLEISTUNG IN ABHÄNGIGKEIT VON DER AKTUELL VERFÜGBAREN PHOTOVOLTAIKLEISTUNG</b>			
200W	°C/h	6	2
400W	°C/h	12	4,5
550 W	°C/h	16	6

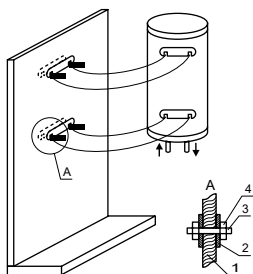
**HINWEIS:** An den Warmwasserbereiter dürfen nur 36-zellige und 60/120-zellige Photovoltaikmodule angeschlossen werden.

# SYSTEM MODI

MODUS	ABBILDUNG	BESCHREIBUNG	ENERGIEQUELLE
1. PV- Modus		Der Boiler wird primär mit PV-Energie betrieben. Wenn keine Sonnenenergie zur Verfügung steht, kann die integrierte Netzstromnachheizung optional genutzt werden, um den Boiler auf die am Drehknopf eingestellte Mindesttemperatur aufzuheizen.	PV-Module + 230V Nachheizung
2. 12 V - Batterie		Über die MC4 Kontaktstecker, kann auch eine Batterie angeschlossen werden. Sobald der angeschlossene Akku eine Spannung von 13,5 V erreicht, wird die überschüssige Energie genutzt, um den Boiler zu betreiben. Dies geschieht während der Akku geladen wird.	12 V Akku Zugelassen: LiFePO4, Bleiakku
3. 24 V - Batterie		Über die MC4 Kontaktstecker, kann auch eine Batterie angeschlossen werden. Sobald der angeschlossene Akku eine Spannung von 27V erreicht, wird die überschüssige Energie genutzt, um den Boiler zu betreiben. Dies geschieht während der Akku geladen wird.	24 V Akku Zugelassen: LiFePO4, Bleiakku

# MONTAGE

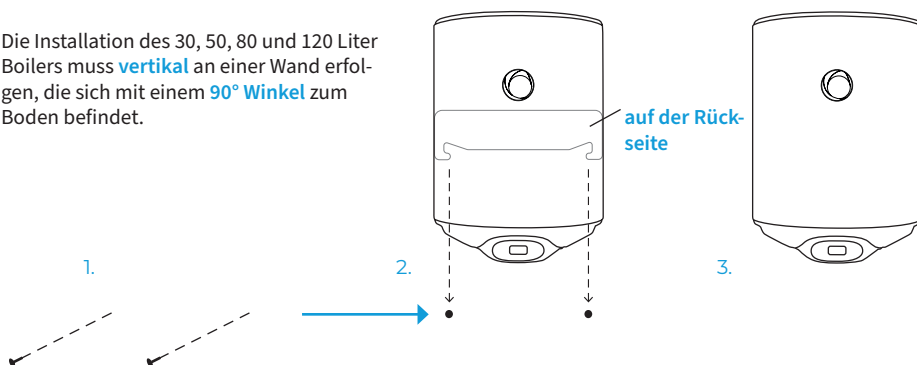
## PHOTOVOLTAISCHE BOILER – PVB-30-, UND 80-AC



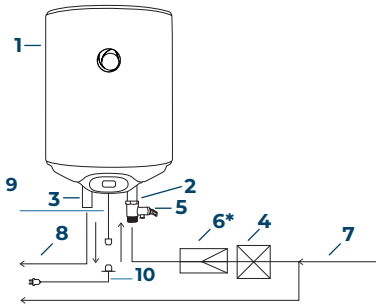
### BESCHREIBUNG

1	Wand
2	Platte
3	Stiftschraube
4	Mutter

Die Installation des 30, 50, 80 und 120 Liter Boilers muss **vertikal** an einer Wand erfolgen, die sich mit einem **90° Winkel** zum Boden befindet.



# ANSCHLUSS



- |  |  |
|--|--|
| <b>1</b> Warmwasserspeicher                          | <b>7</b> Kaltwasser                                |
| <b>2</b> Wasserzufluss                               | <b>8</b> Warmwasser                                |
| <b>3</b> Wasserabfluss                               | <b>9</b> Gerätestecker für externe Stromversorgung |
| <b>4</b> Sperrhahn*                                  | <b>10</b> Stromkabel*                              |
| <b>5</b> Kombiniertes Rückschlag und Überdruckventil |  |
| <b>6</b> Druckminderventil*                          | *nicht im Lieferumfang                             |

\* nötig falls Wasserdruck  
> 0.5 MPa (5 bar)

## AUFHEIZZEIT DES WASSERS IN ABHÄNGIGKEIT DER PV-HEIZLEISTUNG

Leistung	PVB-30-AC	PVB-80-AC
200W	6°C/h	2°C/h
400W	12°C/h	4,5°C/h
550W	16°C/h	6°C/h

### HINWEIS

Die in der Tabelle angegebenen Werte sind als Richtwerte zu verstehen. Die Aufheizzeiten sind von vielen Faktoren abhängig (Leistung, Umgebungslufttemperatur, Wasserentnahme) und können von der Realität abweichen. Je größer die angeschlossene Photo-

voltaikleistung ist, desto stärker kann das Wasser an Tagen mit geringer Sonneneinstrahlung erwärmt werden. Das Wasser wird mit einer maximalen Leistung von 550 W erwärmt, auch wenn mehr photovoltaische Leistung zur Verfügung steht.

## AUFHEIZZEIT DES WASSERS MIT DER 230V-HEIZLEISTUNG

Boilergröße	PVB-30-AC	PVB-80-AC
1500W	45°C/h	15°C/h

# WEITERFÜHRENDE INFORMATIONEN



Sehr geehrte Kunden, wir danken Ihnen, dass Sie sich für ein Gerät von fothermo System AG-Deutschland, entschieden haben!

Das Gerät wird viele Jahre in Ihrem Haushalt dienen, da wir bei der Produktion hochwertige Materialien und innovative Technologien kombinierten. Um eine zuverlässige Funktionsweise gewährleisten zu können, lesen Sie bitte sorgfältig die Installations- und Bedienungsanweisung durch.

**WARNUNG!** Bitte lesen Sie diese Bedienungsanleitung vor Montage und Inbetriebnahme des Warmwasserspeichers sorgfältig durch!

## ALLGEMEINE WARNHINWEISE

Lesen Sie unbedingt die Anweisungen und Warnungen in diesem Handbuch vor Montage und Inbetriebnahme des Warmwasserspeichers sorgfältig durch. Die hier angegebenen Informationen dienen dazu, Sie mit dem Warmwasserspeicher, den Regeln für seinen ordnungsgemäßen und sicheren Gebrauch, den Mindestanforderungen für seine Wartung und der Instandhaltung vertraut zu machen. Überdies sind Sie verpflichtet, dieses Handbuch den fachkundigen Personen, die das Gerät installieren und eventuell reparieren werden, zur Verfügung zu stellen. Die Installation des Warmwasserspeichers und die Prüfung seiner Funktionstüchtigkeit liegen nicht in der Gewährleistungspflicht des Händlers und/oder des Herstellers. Diese Anleitung sollte grundsätzlich in der Nähe des Geräts für späteres Nachschlagen aufbewahrt werden. Die Beachtung der hier beschriebenen Regeln gehört zu den Maßnahmen für den sicheren Gebrauch des Produkts und gilt als Teil der Gewährleistungsbedingungen.

## SICHERHEITSHINWEISE

**WARNUNG!** Bei der Verwendung des Gerätes besteht Verbrennungs- oder Verbrühungsgefahr!

**WARNUNG!** Dieses Gerät darf von Personen (einschließlich Kindern ab 3 Jahre) mit eingeschränkten körperlichen oder geistigen Fähigkeiten nur dann verwendet werden, wenn diese Personen unter der Aufsicht einer verantwortlichen Person stehen oder von dieser Person in den Gebrauch des Geräts eingewiesen wurden. Kinder müssen beaufsichtigt werden, damit sie in keinem Fall mit dem Gerät spielen. Es ist verboten, dass Kinder das Gerät reinigen oder selbstständig bedienen. Kinder im Alter von 3 bis 8 Jahren dürfen nur den am Warmwasserbereiter angeschlossenen Wasserhahn bedienen.

**WICHTIG!** Nur fachkundige Personen dürfen den Warmwasserspeicher entsprechend den Vorgaben in diesem Handbuch und der einschlägigen örtlichen Vorschriften installieren und an die Wasserleitung anschließen. Die vom Hersteller bereitgestellten oder empfohlenen Schutzeinrichtungen sowie alle anderen Baugruppen sind **UNBEDINGT** einzubauen!

**WICHTIG!** Vor Anschluss der elektrischen Energieversorgung ist der Warmwasserspeicher unbedingt mit Wasser zu befüllen! Die Nichteinhaltung der Anforderungen für den elektrischen Anschluss beeinträchtigt die Gerätesicherheit, sodass der Warmwasserspeicher nicht verwendet werden darf.

**WICHTIG!** Beachten Sie den maximal zulässigen Druck (siehe Kapitel: Technische Daten)

## WEITERE WICHTIGE HINWEISE

- Das Gerät steht unter Druck. Während der Aufheizung tropft das Ausdehnungswasser aus dem Überdruckventil.
- Betätigen Sie regelmäßig das Überdruckventil, um einem Festsitzen z. B. durch Kalkablagerungen vorzubeugen.
- Installieren Sie ein kombiniertes bau-mustergeprüftes Rückschlag- und Überdruckventil in der Kaltwasser-Zulaufleitung. Beachten Sie dabei, dass Sie in Abhängigkeit von dem Versorgungsdruck evtl. zusätzlich ein Druckminderventil benötigen.
- Montieren Sie die das Überdruckventil mit der Öffnung nach unten.
- Montieren Sie das Überdruckventil und die Abflussleitung mit einer stetigen Abwärtsneigung in einem frostfreien Raum.
- Dimensionieren Sie die Abflussleitung so, dass bei voll geöffnetem Überdruckventil das Wasser ungehindert ablaufen kann.
- Die Öffnung des Überdruckventils muss zur Atmosphäre geöffnet bleiben.
- Dieses Gerät enthält einen Stütz-Akku, welcher nicht austauschbar ist. Dieser ist für die Funktion des Displays bei Nacht nötig. Ein Defekt schränkt die grundlegende Funktionalität des Boilers nicht ein.
- Das Gerät darf bis in einer Höhe von 4000 m über NN betrieben werden.
- Die Nachheizung ist optional. Es kann entweder nur die PV-Energie oder die PV-Energie kombiniert mit der Nachheizung Leistung benutzt werden.

## TECHNISCHE DATEN

Dieser Warmwasserspeicher kann warmes Wasser von dem allgemeinen Wasserleitungsnetz für mehrere Verbraucher gleichzeitig bereitstellen. Das zur Erwärmung verwendete Wasser muss den Anforderungen in den normativen Dokumenten für Brauchwasser entsprechen, insbesondere: Chloridgehalt bis 250 mg/l; elektrische Leitfähigkeit mehr als 100  $\mu\text{S}/\text{cm}$ , pH-Wert 6,5 - 8 für Warmwasserspeicher mit emailliertem Wasserbehälter. Die Wärmeisolierung besteht aus FCKW – freiem Polyurethanschaum. Die maximale elektrische Leistung der Warmwasserspeicher im PV-Betrieb beträgt 550 W. Die tatsächliche Leistung der Heizelemente ist sowohl von der angeschlossenen Photovoltaikleistung als auch der Einstrahlungsstärke der Sonne abhängig. Das Wasser wird auf maximal 65 °C erwärmt, um einen Verbrühungsschutz zu gewährleisten. Detaillierte Informationen können Sie dem Datenblatt bzw. dem Typenschild entnehmen. Zusätzlich zu der Photovoltaikleistung, kann eine externe Nachheizung mit 1,5 kW über das Stromnetz angeschlossen werden. Die Mindesttemperatur kann über einen Drehregler eingestellt werden.

Die Warmwasserspeicher sind mit einem kombinierten Rückschlag- und Überdruckventil ausgestattet, das einen Überdruck des Wassers während des Gerätebetriebs verhindert. Die Wasserbehälter werden aus Stahl mit hochfester Emaillebeschichtung und mit zusätzlichem Kathodenschutz durch eine Magnesiumanode hergestellt.

## MONTAGE

Der Warmwasserspeicher darf nur in einem Raum mit Brandschutz und Raumtemperatur dauerhaft über 0 °C installiert werden. Bei dem normalen Betrieb des Warmwasserspeichers treten kleine Mengen Wasser aus dem Sicherheitsventil aus. Aus diesem Grund muss der Ablass mit einem Abflussrohr verbunden werden. Dadurch werden auch die Wartungs-, Instandhaltungs- und Servicemaßnahmen für den Warmwasserspeicher erleichtert, insbesondere für den Fall, dass das Wasser aus dem Wasserbehälter abgelassen werden soll.



Bei der Wahl eines geeigneten Aufstellungsortes für den Warmwasserspeicher ist folgendes zu berücksichtigen:

- Art und Material der Wand
- Abmessungen des Geräts
- Befestigungsart
- Anordnung der Befestigungselemente für die Wandbefestigung
- Anordnung der Rohre und der Schutzgrad gegen Wasserspritzer.

Das Gerät soll an einem Ort installiert werden, an dem er nicht mit Wasser in Kontakt kommt. Der Warmwasserspeicher sollte möglichst nah an der Entnahmestelle angebracht werden, um Wärmeverluste durch die Leitung zu begrenzen. Ist der gekaufte Warmwasserspeicher mit einem Versorgungskabel mit Netzstecker ausgestattet, so darf das Produkt nicht in einem feuchten Raum installiert werden! Der Aufstellungsort muss mit den Anforderungen für das Stromversorgungsnetz und für die Steckdose übereinstimmen. Folgende Mindestabstände zwischen dem Gerät und den benachbarten Wänden sowie zu der Raumdecke sind unbedingt einzuhalten:

- Bei vertikalen Warmwasserspeichern – mindestens 70 mm zwischen dem Gerät und der Raumdecke; mindestens 50 mm zwischen dem Gerät und der seitlichen Wand; mindestens 350 mm unter dem Gerät, zur Erleichterung der Wartungs- und Reparaturmaßnahmen.

Der Warmwasserspeicher soll an einer Wand fest angebracht werden. Dazu sind Stahlbolzen (Stiftschrauben) mit 10-12 mm Durchmesser zu verwenden, die an der Wand befestigt sind. Die Befestigungselemente sind gegen abrutschen und ausfallen aus der Wand zu sichern – verwenden Sie Ankerbolzen oder Durchgangsbolzen (je nach Beschaffung der Wand). Die Befestigungselemente, auf denen der Warmwasserspeicher aufgehängt wird, müssen für das dreifache Gewicht des mit Wasser gefüllten Warmwasserspeichers ausgelegt sein. Es ist verboten, den Warmwasserspeicher an dekorativen Wänden (aus einzelnen Ziegeln oder aus leichten Baustoffen) zu montieren. Die Abstände der Bolzen (Stiftschrauben) zum Aufhängen der Geräte sind auf Fig. 1, 2, 3, 7 und in den Tabellen angegeben. Die vertikalen Warmwasserspeicher der Gruppen 150 sind mit anderen Plattentypen für die Aufhängung ausgestattet, so dass sich der Abstand zwischen den Bolzen (Stiftschrauben) sich von den anderen Mo-

dellen und Ausführungen unterscheidet.

**WARNUNG!** Die Tragbügel des Warmwasserspeichers müssen fest an die Wand des Raums befestigt sein. Unter die Schraubenköpfe (Muttern der Stiftschrauben) sind Unterlegscheiben anzubringen! Eine Bohrlochschaablone ist auf der Produktverpackung aufgedruckt.

Der Aufstellungsort muss mit den Anforderungen der elektrischen Installation übereinstimmen. Bei der Montage ist ausreichend Abstand zu benachbarten Wänden und genügend Abstand unter dem Gerät für Wasser- und Photovoltaikanschlüsse vorzusehen.

## ANSCHLUSS AN DIE WASSERLEITUNG

Während dem Anschluss des Gerätes an die Wasserleitung sind die Pfeile und Hinweisringe um die Kalt- und Warmwasserrohre (Zu- und Rücklaufleitung) zu beachten. Das Kaltwasserrohr hat einen blauen Ring und ist mit einem Pfeil zum Rohr gekennzeichnet. Ein Pfeil vom Rohr weg und ein roter Ring kennzeichnet das Warmwasserrohr.

Der Warmwasserspeicher ist mit einem kombinierten Rückschlag- und Überdruckventil ausgestattet. Dieses befindet sich in der Produktverpackung und **MUSS** an der Kaltwasserleitung montiert werden. Während dieser Installation muss der Pfeil auf dem Rumpf des Ventils, der die Richtung des Wasserflusses durch das Ventil anzeigt, befolgt werden.

**WARNUNG!** Das Fehlen oder der nicht sachgemäße Einbau des mit dem Produkt gelieferten Kombiventils führt zum Erlöschen der Produktgarantie.

**WARNUNG!** Die Montage jeglicher Absperr- oder Rückschlagarmaturen zwischen dem kombinierten Ventil und dem Warmwasserspeicher **IST VERBOTEN!** Das Versperren der seitlichen Öffnung des kombinierten Ventils und/oder das Arretieren des Hebels sind streng verboten!

Die Rohranschlüsse haben G $\frac{1}{2}$  Außengewinde. Schematische Darstellungen bezüglich des Anschlusses des Warmwasserspeichers sind in den Abbildungen 1 und 2 gezeigt.

Der Warmwasserspeicher funktioniert mit dem Druck der Wasserleitung. Der Wasserdruck in der Wasserleitungsanlage soll höher als 0,1 MPa (1 bar) und niedriger als 0,5 MPa (5 bar) sein. Ist der Druck der Wasserleitung höher als 0,5 MPa, so muss ein Druckminderventil installiert werden.

Muss weiteres Zubehör, welches nicht im Lieferumfang enthalten ist, gemäß den örtlichen Vorschriften eingesetzt werden, ist dieses entsprechend den Vorgaben zu installieren. Für den Fall, dass die Wasserleitungsrohre aus Kupfer oder aus sonstigem Metall hergestellt sind, welches sich von Metall des Wasserbehälters unterscheidet oder wenn Verbindungselemente aus Messing eingesetzt werden, sind Nichtmetallarmaturen an der Zulauf- und Rücklaufseite des Warmwasserspeichers zu montieren (dielektrische Armaturen).

Ein Abflusssystem zur Ableitung des ggf. von der seitlichen Öffnung des kombinierten Ventils tropfenden Wassers wird empfohlen. Die Ablassleitung muss mit konstantem Gefälle und in einer frostfreien Umgebung ausgeführt werden. Sie muss stets offen bleiben.

Nach erfolgreichem Anschluss des Warmwasserspeichers an die Wasserleitung ist der Wasserbehälter mit Wasser zu befüllen. Die Reihenfolge der auszuführenden Schritte ist:

- Warmwasserhahn der entferntesten Mischbatterie ganz öffnen.
- Sperrhahn öffnen. (Tabelle 1, Nr. 4)
- Abwarten, bis die Luft aus der Anlage heraustritt und aus der Mischbatterie ein starker Wasserstrahl herausfließt. Wasser etwa 30 Sekunden laufen lassen.
- Warmwasserhahn der Mischbatterie schließen.
- Den kleinen Hebel des Überdruckventils (Tabelle 1, Nr. 5) heben, 30 - 60 Sekunden abwarten, bis aus der seitlichen Öffnung des Ventils ein starker Wasserstrahl fließt.
- Ventilhebel lösen.

**WARNUNG!** Fließt kein Wasser aus der Ventilöffnung oder fließt nur ein dünner Strahl, deutet dies auf eine Fehlfunktion hin. Diese Fehlfunktion kann das Sicherheitsventil des kombinierten Ventils verstopfen.

**ES IST VERBOTEN**, den elektrischen Anschluss des Gerätes auszuführen, solange die Störung nicht behoben ist!

**WARNUNG!** Bei Nichteinhaltung der Anforderungen für den Anschluss an die Wasserleitung wird der Wasserbehälter nicht mit Wasser gefüllt, was zur Fehlfunktion des Heizelements führt. Ist das kombinierte Ventil nicht oder falsch montiert, kann dies eine Zerstörung des Wasserbehälters, des Raums und/oder andere Sach- und Personenschäden verursachen. Die daraus entstehenden Schäden liegen nicht im Rahmen der Gewährleistung des Herstellers und des Verkäufers Sie gehen zu Lasten der Person, die die Hinweise aus diesem Handbuch nicht beachtet hatte.

**WARNUNG!** Das kombinierte Rückschlag- und Überdruckventil gehört zu den Schutzeinrichtungen, die die Sicherheit des Warmwasserspeichers gewährleisten. Es ist streng VERBOTEN, den Warmwasserspeicher mit beschädigtem oder ausgebautem/nicht montiertem kombinierten Rückschlag- und Überdruckventil (Sicherheitsventil) zu verwenden!

Bei Bedarf kann das Überdruckventil auch zum Ablassen des Wassers aus dem Wasserbehälter dienen. Gehen Sie in diesem Fall wie folgt vor:

- Trennen Sie den Warmwasserspeicher von jeglichen spannungsführenden elektrischen Leitungen.
- Unterbrechen Sie den Zugang zum Kaltwasser.
- Öffnen Sie den Warmwasserhahn der Mischbatterie oder trennen Sie das Warmwasserrohr (Rücklaufleitung) des Warmwasserspeichers.
- Heben Sie den kleinen Hebel des kombinierten Ventils (Tabelle 1, Nr. 5) und warten Sie ab, bis kein Wasser mehr aus dem Ventil austritt.
- **WARNUNG!** Das fließende Wasser kann heiß sein – Verbrühungsgefahr.

Diese Schritte sichern kein vollständiges Entleeren des Wasserbehälters. Nur fachkundige Personen dürfen diese Maßnahmen ausführen, weil diese mit einem Trennen der elektrischen Schaltung des Geräts und mit Abbau des Flansches von dem Wasserbehälter verbunden sind.

**WARNUNG! ES IST STRENG VERBOTEN**, den elektrischen Anschluss des Warmwasserspeichers auszuführen, solange der Wasserbehälter ganz oder teilweise entleert ist! Vor erneuter Inbetriebnahme des Geräts zuerst den Wasserbehälter mit Wasser füllen.

**WARNUNG! ES IST VERBOTEN**, dass der Wärmeträger durch den Wärmetauscher des Warmwasserspeichers umläuft, wenn der Wasserbehälter ganz oder teilweise entleert ist.

**WARNUNG!** Bei dem Ablassen des Wassers aus dem Wasserbehälter unbedingt alle erforderlichen Maßnahmen zur Vorbeugung von Schäden durch das ablaufende Wasser treffen.

**WICHTIG!** In Dänemark, Schweden, Norwegen und Finnland darf der Anschluss des Warmwasserspeichers an das öffentliche Wassernetz nur unter Verwendung eines geeigneten Druckminderventils verwendet werden. Die örtlichen Vorschriften sind einzuhalten.

## ELEKTRISCHER ANSCHLUSS - PV

**WARNUNG!** Jeglicher elektrische Anschluss darf nur ausgeführt werden, wenn der Warmwasserspeicher mit Wasser gefüllt ist.

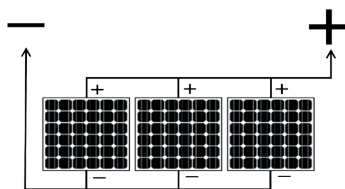
**WICHTIG!** Der Betrieb an dem PV-Eingang des Warmwasserspeichers erfolgt mit Gleichstrom. Der Warmwasserspeicher hat eine Schutzart gegen Stromschlag „Klasse III“ und darf nur in der Schutzkleinspannung (SELV) versorgt werden. Es dürfen nur vom Hersteller empfohlene Spannungsquellen angeschlossen werden. Eine fehlerhafte und/oder nicht geeignete Stromanlage stellt eine hohe Gefahr dar und kann Verletzungen verursachen. Wenn die Anschlusskabel des Gerätes beschädigt sind, müssen diese ersetzt werden.

**WICHTIG!** Photovoltaikmodule dürfen **NUR PARALLEL** verschalten werden. Verwenden Sie beim Anschluss von mehr als einem Photovoltaikmodul immer eine passende Steckverbindung für Parallelschaltung. Siehe Abbildung „PV Parallelsteckverbinder“. Eine Serienschaltung der Photovoltaikmodule führt zu einem Defekt des Gerätes.



PV-Parallelsteckverbinder

Auf korrekte Polarität beim Anschließen achten!



**Nur ein paralleler PV-Modulanschluss ist erlaubt!**  
Ein serieller Anschluss führt zur Beschädigung des Geräts!

Der elektrische Anschluss der Warmwasserspeicher erfolgt an den werksseitig montierten MC4-Versorgungssteckern. Nach Ausführung des elektrischen Anschlusses die Funktionsfähigkeit des Gerätes unbedingt prüfen. Der Warmwasserspeicher ist von der Stromversorgungsanlage vollständig getrennt, wenn alle Versorgungsstecker getrennt sind.

### Anschluss von Photovoltaikmodulen:

**WICHTIG!** Die Montage und die elektrische Parallelschaltung von PV-Modulen darf nur von einer fachkundigen Person durchgeführt werden und muss eine Gefährdung Dritter ausschließen. Bei der Montage der Photovoltaikmodule sind die vor Ort geltenden Regeln und Gesetze einzuhalten.

**WICHTIG!** Verlegen Sie Kabel immer so, dass niemand über diese stolpern oder an ihnen hängen bleiben kann. Es besteht Verletzungsgefahr. Die Kabel müssen so befestigt sein, dass keine Zugbelastung auf die Steckverbinder einwirkt. Weiterhin muss ausgeschlossen werden, dass die Kabel und Steckverbinder über Flächen und Kanten scheuern (z. B. bei Wind) oder permanent im Wasser liegen.

**WICHTIG!** Es dürfen maximal 60- bzw. 120-zellige Photovoltaikmodule mit einer Leerlaufspannung von 42,4 V angeschlossen werden.

- Photovoltaikmodule müssen mit Hilfe der werksseitig angeschlossenen MC4 Stecker ordnungsgemäß verbunden werden.
- Es dürfen bis zu fünf Module parallel geschaltet werden. Je nach Modul entspricht dies einer MPP-Leistung von etwa 1500 Wp.

Auslegung der benötigten Photovoltaikleistung:

- Je höher die Anzahl der Sonnenstunde pro Tag, desto kleiner die benötigte PV-Leistung.
- Je wärmer das zugeführte Wasser aus der Leitung ist, desto kleiner die benötigte PV-Leistung.
- Auslegung der Photovoltaikleistung auf die einstrahlungsschwächsten Monate während der Nutzung des photovoltaischen Boilers.
- Je höher die benötigte Warmwassermenge pro Tag, desto größer die benötigte PV-Leistung.

Die nachfolgende Tabelle dient als Richtwert zur Auslegung der Photovoltaikleistung in Abhängigkeit der klimatischen Verhältnisse:

klimatische Verhältnisse	PVB-30-AC	PVB-80-AC
Sonnenarme Länder, z. B. Nord- und Mitteleuropa	600 W <sub>p</sub>	1200 W <sub>p</sub>
Sonnenreiche Länder, z. B. Südeuropa und Afrika	30 W <sub>p</sub>	600 W <sub>p</sub>

Die dargestellten Werte stellen Richtwerte dar. In Abhängigkeit der vor Ort herrschenden Bedingungen und der jeweiligen Nutzungsverhältnisse kann die sinnvolle Auslegung der Photovoltaikleistung von den beschriebenen Werten abweichen.

### Verlängerung der Photovoltaikkabel:

Bei einer Verlängerung der Photovoltaikkabel sind die MC4-Kontaktstecker ordnungsgemäß zu befestigen, um die Funktion und Sicherheit zu gewährleisten.

Grundsätzlich ist das PV-Kabel so kurz wie möglich halten. Eine Längenempfehlung in Abhängigkeit der angeschlossenen PV-Generatorenleistung können Sie der nachfolgenden Tabelle entnehmen.

Angeschlossene PV-Leistung	4 mm <sup>2</sup>	6 mm <sup>2</sup>	10 mm <sup>2</sup>
~325 W <sub>p</sub>	≤ 18 m	≤ 27 m	≥ 27 m
~650 W <sub>p</sub>	≤ 11 m	≤ 16 m	≥ 16 m
~975 W <sub>p</sub>	≤ 9 m	≤ 13 m	≥ 13 m

Empfohlene Kabellänge (hin und zurück) bei unterschiedlichen Nennleistungen und Querschnitten

## ANSCHLUSS EINER EXTERNEN AC-NACHHEIZUNG:

**WICHTIG!** Verwenden Sie nur zertifizierte Gerätestecker (IEC-320 - C13 Stecker) die vom Hersteller empfohlen werden. Eine Nichteinhaltung führt zu Gewährleistungsverlust und kann zu einem Defekt des Gerätes beitragen.


Die externe AC-Nachheizung dient zur erweiterten Nutzung der photovoltaischen Boiler. Beispielsweise können lange Schlechtwetterphasen durch angeschlossene AC-Nachheizung überbrückt werden.

## BETRIEB

**WARNUNG!** Dieses Gerät darf von Personen (einschließlich Kindern ab 3 Jahre) mit eingeschränkten körperlichen oder geistigen Fähigkeiten nur dann verwendet werden, wenn diese Personen unter der Aufsicht einer verantwortlichen Person stehen oder von dieser Person in den Gebrauch des Geräts eingewiesen wurden. Kinder müssen beaufsichtigt werden, damit sie in keinem Fall mit dem Gerät spielen. Es ist verboten, dass Kinder das Gerät reinigen oder selbstständig bedienen. Kinder im Alter von 3 bis 8 Jahren dürfen nur den am Warmwasserbereiter angeschlossenen Wasserhahn bedienen.

### Bedienung:

#### Einschalten::


Den  -Button für etwa drei Sekunden gedrückt halten.

#### Display:


Die aktuelle Wassertemperatur wird im Display angezeigt.


- POWER IN: Eingangsleistung der PVModule
- VOLTAGE: Eingangsspannung der PVModule
- USED PV ENERGY: Summe der genutzten PV-Energie

#### Menünavigation:

Den  -Button kurz drücken. Durch erneutes Betätigen des Buttons springen Sie im Menü zur nächsten Seite.

#### Einstellungen:

Den  -Button wiederholt betätigen. Dadurch lassen sich individuelle Anpassungen am Gerät vornehmen. Bitte beachten Sie: Die Anpassungen werden nur dann aktiv, wenn eine externe Energieversorgung an den photovoltaischen Boiler angeschlossen ist.

- **CHANGE SYSTEM MODE:** Wählen Sie durch Betätigen des  -Buttons den gewünschten Modus aus. Werksseitig ist der Modus 1(PV HOME voreingestellt)..

### Kurzanleitung SYSTEM-MODI


#### Modus 1 (photovoltaic)

Für den direkten Anschluss von Photovoltaikmodulen. Bei Bedarf kann zusätzlich eine AC-Nachheizung über Netzstrom angeschlossen werden.

#### Modus 2 und 3

Für den Anschluss von externen Energiequellen wie z.B. einer Batterie. Dazu wird ein Batteriekabel benötigt, um die Batterie an die MC4 Kontaktstecker anschließen zu können. Das Batteriekabel ist nicht im Lieferumfang enthalten. Nähere Informationen finden Sie in der jeweiligen Produktbeschreibung.

#### Ausschalten:

Den  -Button für etwa drei Sekunden gedrückt halten.

#### Einstellen der Nachheiztemperatur - Mindesttemperatur

Wenn die externe Nachheizung angeschlossen ist, kann eine Temperatur eingestellt werden, die vom Boiler gehalten wird. Diese kann über den Drehregler eingestellt werden.

Im Sommer, wenn die Sonnenstrahlung am stärksten ist und das Erwärmen des Wassers über die PV-Energie gewährleistet wird, ist die Empfehlung den Drehregler auf die kleinstmögliche Temperatur zu setzen.

Wenn die Sonneneinstrahlung nicht ausreichend ist, kann der Drehregler auf die gewünschte Temperatur eingestellt werden ( Empfehlung 35°C bis 40°C).

### Weitere wichtige Hinweise:

#### Austritt von Wasser:

Das Rückschlag- und Überdruckventil, kann bei Normalbetrieb des Warmwasserspeichers durch die Ausdehnung von Wasser während der Erwärmung

tropfen. Achten Sie darauf, dass das austretende Wasser einem geeigneten Sammelbehälter oder Abfluss zugeführt wird. Das Tropfen von Wasser ist kein Defekt. Die seitliche Ventilöffnung darf auf keine Art und Weise verschlossen werden. Das Verlegen eines Abflussrohres erleichtert künftige Wartungs- und Instandhaltungsmaßnahmen, da das Wasser aus dem Warmwasserspeicher einfach abgelassen werden kann.

#### Geräuschentwicklung:

Möglicherweise kann es während der Erwärmung von Wasser zu Geräuschentwicklungen im Inneren des Gerätes kommen. Dies ist auf kalkhaltige Ablagerung auf dem Heizelement zurückzuführen. Eine verstärkte Kalkausbildung ist ab Wassertemperaturen von über 60°C festzustellen. Dies kann zu Beeinträchtigungen und zur Beschädigung der Heizelemente und des Warmwasserspeichers führen.

#### Legionellenbildung:

Aufgrund des geringen Volumens der Warmwasserspeicher kann die Gefahr von Legionellenbildung im System nahezu ausgeschlossen werden. Um dennoch Vorsichtsmaßnahmen zu treffen, werden folgende Maßnahmen empfohlen:

- Regelmäßige Zufuhr von Frischwasser bzw. regelmäßige Wasserentnahme.
- Erhitzung des Wassers in regelmäßigen Abständen auf mindestens 60 °C.
- Nach Nichtbenutzung des Gerätes von mehr als einem Monat wird ein Wassertausch empfohlen.

## WARTUNG UND INSTANDHALTUNG

**WICHTIG!** Vor der Wartung und Instandhaltung den Boiler von vom Stromnetz und anderen Energiequellen trennen.

**WICHTIG!** Das Cover darf nur durch fachkundige Personen geöffnet werden.

#### Reparaturanweisung

Alle elektronischen Reparaturmaßnahmen dürfen nur durch eine elektronische Fachkraft durchgeführt werden. Es besteht Verletzungsgefahr. Mit modifizieren der Kabel und Elektronik verfallen die Gewährleistungen.

Die Kabel des DC-Stromkreises sind rot und schwarz

gekennzeichnet.

Die Farbcodierung der Kabel der AC-Nachheizung (230V) ist wie folgt:

- Neutralleiter (N) – blau
- Schutzleiter (PE) – grün/ gelb
- 230V AC - Phase/ Last (L) - braun

#### Korrosionsschutz:

In jedem Warmwasserspeicher mit emailliertem Wasserbehälter ist ein zusätzlicher Korrosionsschutz eingebaut. Dieser Korrosionsschutz besteht aus einer Magnesiumanode (Opferanode).

Die Anode ist ein Verbrauchsartikel (d.h. Abnutzung während des normalen Gerätebetriebs). Die durchschnittliche Lebensdauer beträgt 3 Jahre. Diese Lebensdauer hängt insbesondere von der Betriebsart des Geräts und von den Eigenschaften des zu erwärmenden Wassers ab. In regelmäßigen Abständen sollte ein Fachmann des von dem Hersteller oder dem Verkäufer autorisierten Kundendienstes den Zustand der Anode prüfen und ggf. erneuern. Die Einhaltung der Frist und die rechtzeitige Erneuerung der Anode sind wichtige Bedingungen für den effizienten Korrosionsschutz des Wasserbehälters. Die Prüfung und die Erneuerung der Anode gehören nicht zu den Gewährleistungspflichten des Herstellers und des Händlers. Für den sicheren Betrieb des Warmwasserspeichers in Regionen mit kalkhaltigem Wasser wird das regelmäßige Reinigen des Wasserbehälters vom angesammelten Kalkstein empfohlen. Diese Reinigung sollte mindestens einmal alle zwei Jahre durchgeführt werden. In Regionen mit kalkhaltigem Wasser öfters.

Die Ablagerungen auf der Emaillebeschichtung müssen nicht abgekratzt, sondern nur mit einem trockenen Baumwolltuch abgewischt werden. Die regelmäßige Reinigung und Beseitigung des Kalksteins ist für den sicheren Betrieb des Geräts besonders wichtig. Es ist empfehlenswert, zur selben Zeit auch die Anode des emaillierten Wasserbehälters zu kontrollieren. Diese Leistungen gehören nicht zum Gewährleistungsumfang und sind durch fachkundige Personen auszuführen. Die Vorschriften zur Kontrolle des Anodenschutzes und zur Erneuerung der Anode, und die Beseitigung des gesammelten Kalksteins sind sowohl während als auch nach Ablauf der Gewährleistungsfrist des Geräts einzuhalten.

#### Überdruckventil:

Zur Gewährleistung eines einwandfreien und sicheren Betriebs des Warmwasserspeichers ist das kombinierte Ventil regelmäßig auf ggf. reduzierte

Durchlässigkeit zu prüfen. Dazu den kleinen Hebel heben und ca. 30-60 Sekunden abwarten, bis ein starker Wasserstrahl aus der seitlichen Ventilöffnung heraustritt. Diese Prüfung ist unbedingt nach dem Füllen des Wasserbehälters mit Wasser, in 2-wöchigen Abständen und nach Ausfall und Wiederherstellung der Wasserversorgung durchzuführen. Fließt kein Wasser aus der Ventilöffnung oder fließt nur ein dünner Strahl, dann deutet dies auf eine Fehlfunktion hin.

Möglicherweise liegt eine Verunreinigung der Wasserleitung vor. Vor Inbetriebnahme ist der Fehler zu beheben.


### Reinigung

Die Außenhülle und die Kunststoffteile des Warmwasserspeichers sind nur mit einem leicht feuchtem Baumwolltuch, ohne aggressive und/oder Scheuermittel zu reinigen. Es ist verboten, dass Gerät mit einem Dampfgerät zu reinigen. Der Warmwasserspeicher kann erst nach vollständiger Entfernung der Feuchtigkeit wieder in Betrieb genommen werden.

## STÖRUNGEN

Kommt es während der Nutzung des Warmwasserspeichers zu einer Störung, dann trennen Sie bitte alle spannungsführenden Leitungen vom Gerät und kontaktieren Sie den Hersteller oder Ihren Händler.

## UMWELTSCHUTZ

Dieses Gerät ist entsprechend der Richtlinie für die Elektro- und Elektronik-Altgeräte (WEEE) gekennzeichnet. Indem Sie dafür sorgen, dass das Gerät am Ende seiner Lebensdauer bei einem geeigneten Entsorgungszentrum abgegeben wird, tragen Sie zum Umweltschutz und zur Vermeidung von negativen Einwirkungen auf die Umwelt und auf die menschliche Gesundheit bei. Das -Symbol auf dem Warmwasserspeicher weist darauf hin, dass das Gerät am Ende seiner Lebensdauer nicht im normalen Hausmüll entsorgt werden darf. Es muss bei einem Entsorgungszentrum mit speziellen Einrichtungen für elektrische oder elektronische Geräte abgegeben werden. Der Endverbraucher muss bei der Entsorgung die örtlichen Entsorgungsvorschriften beachten.

Weitere Informationen über die Behandlung, Verwertung und über das Recyclingverfahren erhalten Sie bei Ihrer Stadtverwaltung, bei Ihrem zuständigen

Entsorgungszentrum oder bei dem Fachhändler, bei dem Sie das Produkt gekauft haben.

## GEWÄHRLEISTUNGEN

Die Gewährleistung für das Geräts gilt nur unter folgenden Bedingungen:

- Das Gerät ist entsprechend den Montage- und Gebrauchsanleitungen installiert.

Das Gerät wird nur zweckgemäß und nach Maßgabe der Montage- und Gebrauchsanleitungen verwendet. Die Gewährleistung umfasst die Behebung sämtlicher Fabrikationsfehler, die während der Gewährleistungszeit auftreten können. Nur die vom Verkäufer autorisierten Fachleute dürfen die Reparaturen vornehmen. Die Gewährleistung deckt keine Schäden aus:

- unsachgemäßem Transport
- unsachgemäßer Lagerung
- unsachgemäßem Gebrauch
- nicht geeigneten Wasserparametern
- unsachgemäßer elektrischer Spannung, welche von der Nennspannung abweicht
- dem Einfrieren des Wassers
- außergewöhnlichen Risiken, Unfällen oder sonstiger höherer Gewalt
- Nichtbeachtung der Montage- und Gebrauchsanleitung
- in allen Fällen, wenn eine nicht autorisierte Person das Gerät zu reparieren versucht.

In den vorgenannten Fällen wird der Schaden gegen Bezahlung behoben. Die Gewährleistung des Geräts gilt nicht für Teile und Komponenten des Geräts, die während seiner üblichen Anwendung abgenutzt werden, auch nicht für Teile, die während des normalen Gebrauchs abgebaut werden, für Leuchten und Signallampen etc., für Verfärbung von externen Oberflächen, für Änderung der Form, der Abmessung und der Anordnung von Teilen und Komponenten, die einer den normalen Bedingungen für Verwendung des Geräts nicht entsprechenden Auswirkung ausgesetzt worden sind. Versäumter Nutzen, materielle und immaterielle Schäden infolge vorübergehender Unmöglichkeit zur Verwendung des Geräts in der Zeit seiner Reparatur und Wartung, werden von der Gewährleistung des Geräts nicht gedeckt.

## DE

DIE EINHALTUNG DER ANGEGEBENEN ANFORDERUNGEN IM HANDBUCH SIND VORAUSSETZUNG FÜR DEN SICHEREN BETRIEB DES GEKAUFTEN PRODUKTS UND ZÄHLT ZU DEN GEWÄHRLEISTUNGSBEDING-UNGEN. JEGLICHE, VOM BENUTZER ODER VON DEN VON IHM BEVOLLMÄCHTIGTEN PERSONEN VOR-GENOMMENE ÄNDERUNGEN UND UMBAUTEN AN DER KONSTRUKTION DES PRODUKTS SIND STRENG VERBOTEN. WERDEN DERARTIGE HANDLUNGEN ODER VERSUCHE FESTGESTELLT, DANN SIND DIE GEWÄHR-LEISTUNGSPFLICHTEN DES HERSTELLERS ODER DES HÄNDLERS UNWIRKSAM. DER HERSTELLER BEHÄLT SICH DAS RECHT VOR, STRUKTURVERÄNDERUNGEN OHNE ANKÜNDIGUNG VORZUNEHMEN, SOFERN DIE SICHERHEIT DES PRODUKTS NICHT BEEINTRÄCHTIGT WIRD. FALLS NOTWENDIG ODER WENN MISS-VERSTÄNDNISSE IM ZUSAMMENHANG MIT DER ÜBERSETZUNG UND MIT DEN IN DIESER SPRACH-VERSION DER MONTAGE- UND GEBRAUCHSANLEITUNG VERWENDETEN BEGRIFFEN BESTEHEN, BITTE DIE DEUTSCHE VERSION ALS ORIGINAL UND ALS VORRANGIGE VERSION BENUTZEN.







**EN****DO YOU HAVE ANY QUESTIONS OR ARE YOU DISSATISFIED WITH SOMETHING?**

Then contact us personally and we will surely find a solution!

+49 (0) 7346 96 49 960  
 contact@fothermo.com

We appreciate your **FEEDBACK** so that more people can learn about our photovoltaic boilers and use the power of the sun: Thank you.



Visit our Website for more Information:

**DE****HABEN SIE FRAGEN ODER SIND MIT ETWAS UNZUFRIEDEN?**

Dann melden Sie sich doch gerne persönlich bei uns und wir finden sicher eine Lösung!

+49 (0) 7346 96 49 960  
 contact@fothermo.com

Wir freuen uns über Ihre **BEWERTUNG**, damit noch mehr Leute von unseren photovoltaischen Boilern erfahren und die Kraft der Sonne nutzen: Danke.



Besuchen Sie unsere Internetseite für weitere Informationen:



# CONTACT

CONTACT / KONTAKT



fothermo System AG  
Im Starkfeld 45b  
89231 Neu-Ulm  
Germany



+49 (0) 7346 96 49 960



contact@fothermo.com

Registry court Ulm: HRB 739609  
VAT: DE329022123