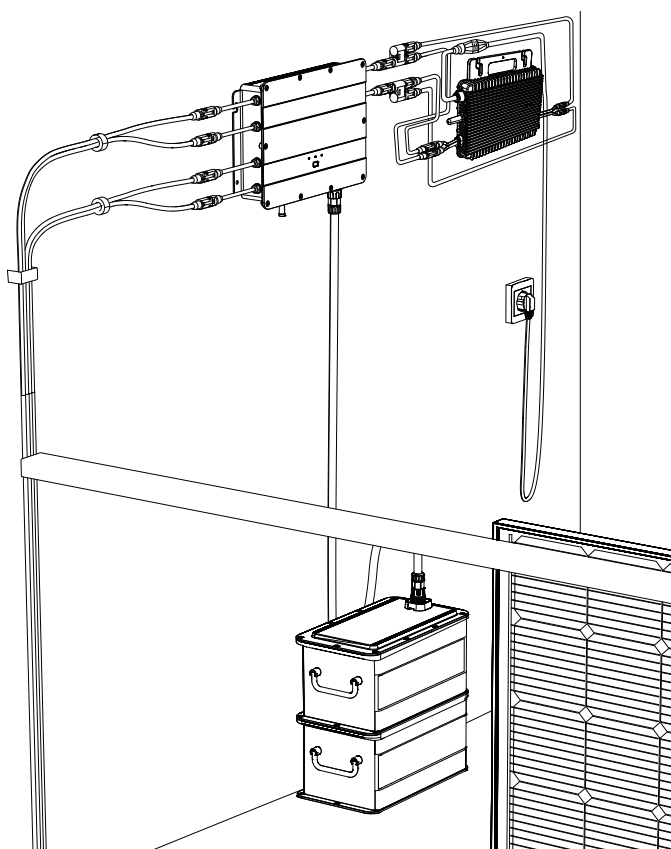


ZENDURE

SuperCharged 

Hub 2000 User Manual



DISCLAIMER

Read all safety guidelines, warnings and other product information in this manual carefully, and read any labels or stickers attached to the product before using. Users take full responsibility for the safe usage and operation of this product. Familiarize yourself with relevant regulations in your area. You are solely responsible for being aware of all relevant regulations and using Zendure products in a way that is compliant. Keep this manual for future reference.

CONTENTS

1. Before You Begin.....	1
2. Specifications.....	1
3. SAFETY INSTRUCTION.....	3
3.1 Usage.....	3
3.2 FCC STATEMENT.....	4
3.3 EC DECLARATION OF CONFORMITY.....	4
4. Important Tips	5
5. Getting Started	6
5.1 What's in The Box.....	6
5.2 Product Overview	6
5.3 Installation.....	10
5.3.1 Installation Steps Overview.....	10
5.3.2 Installation Tools	10
5.3.3 Disconnection.....	10
5.3.4 Install Hub 2000.....	12
5.3.5 Install Microinverter.....	12
5.3.6 Stack AB1000 or AB2000	13
5.3.7 Connect with Cables.....	14
5.3.8 Download the Zendure app.....	16
5.3.9 Disconnection of SolarFlow	17

1. Before You Begin

The information contained herein is subject to change without notice. For the latest version, please visit : <https://zendure.com/pages/download-center>.

2. Specifications

SolarFlow system include Hub 2000 and Add-on battery AB1000 or AB2000 or SuperBase V or Satellite Battery . SolarFlow and Microinverter constitute a small grid-connected PV energy storage system, which aims to help users to save electricity bills.

This product cannot be used during power outages.

Name	Hub 2000
Model	ZDHUB2000
Weight	≈ 5.2 kg
Dimensions (L*W*H)	363×246×64 mm
Wireless Type	Bluetooth, 2.4GHz & 5GHz Wi-Fi
IP Level	IP65
Warranty	10 Years
PV Input	
Recommended Input Power	1200 W each
Maximum Input DC Voltage	60V
MPPT Voltage Range	16-60V
MPPT Full Power Voltage Range	35-60V
Min DC Input Voltage	16V
Max Input Current	2*26A
Number of MPPT	2
Output to Microinverter	
Recommended Microinverter's Power	400-1200W
Rated Output Power	1200W
Max Microinverter Output Power	1200W
Rated Output Current	30A
Nominal Voltage Range	16-60V
Efficiency	
Output Efficiency	98%
MPPT Tracking Efficiency	99%
Working Temperature (° C)	-20-45°C
Input from AB2000	
Max Input Power	1200 W
Max Input Current	25 A
Rate Voltage	48 V
Output to AB2000	
Max Input Power	1200W / 1800W(≥2*AB2000)
Max Input Current	25A / 37.5A(≥2*AB2000)
Voltage Range	42-54.75V
Input from AB1000	
Max Input Power	1200W
Max Input Current	25A
Rate Voltage	48V
Output to AB1000	
Max Input Power	800W
Max Input Current	16.6A
Voltage Range	42-54.75V
Input from SuperBase V or Satellite Battery	
Max Input Power	1200W
Max Input Current	25A
Voltage Range	45-58.4V

Output to SuperBase V or Satellite Battery	
Max Input Power	1800W
Max Input Current	37.5A
Rate Voltage	45-58.4V

Hub 2000 controller doesn't include a battery pack, and the battery needs to be purchased separately. For more information about battery AB1000 or AB2000 or SuperBase V or Satellite Battery, please check the user manual of AB1000 or AB2000 or SuperBase V or Satellite Battery.

3. SAFETY INSTRUCTION

3.1 Usage

1. Please check whether SolarFlow is damaged, cracked, liquid leakage, heat or other abnormalities or cables are damaged before operating. If any, please stop using the product immediately and contact our customer service.
2. Keep a distance of 50mm between Hub 2000 and other objects.
3. During the operation of the solar energy system, avoid direct sunlight to prevent the SolarFlow system from overheating. Do not place the SolarFlow near any heat source.
4. Do not use around strong static electricity or magnetic fields.
5. It is prohibited to place the equipment in an environment with flammable, explosive gas, or smoke. Since SolarFlow relies on the shell to dissipate heat, over-temperature of the shell will lead to damage.
6. Do not attempt to replace the internal components of the equipment by any unauthorized personnel.
7. Please install the product according to our user manual to avoid damage to the product or injury to other people.
8. Ensure before finishing installation, the solar cable, the Microinverter cable to home grid are disconnected.
9. Ensure that Hub 2000 and Microinverter are installed firmly to avoid accidents and product damage caused by dropping.
10. SolarFlow has a protection level of IP65, so the product cannot be immersed in liquids. If the product accidentally falls into water during use, please place it in a safe and open area and keep it away until it is completely dry. The dried product should not be used again and should be properly disposed of according to the disposal guidelines in this manual.
11. Please ensure proper ventilation while in use, inadequate ventilation may cause permanent damage to the equipment.
12. Do not place anything on the top of SolarFlow, please install it where people cannot touch it.

13. Do not move or shake the unit while operating as vibrations and sudden impacts may lead to poor connections to the hardware inside.
14. Case of fire, only a dry powder fire extinguisher is suitable for the product.
15. Only clean the ports with a dry cloth.
16. Keep out of reach of children and pets.
17. For safety purposes, please use only the original charger and cables designed for the equipment. We are not liable for damage caused by third-party equipment and may render your warranty invalid.

3.2 FCC STATEMENT

This device complies with Part 15 of the FCC Rules. Operation is subject to the following two conditions:

- (1) This device may not cause harmful interference, and
 - (2) This device must accept any interference received, including interference that may cause undesired operation.
- any Changes or modifications not expressly approved by the party responsible for compliance could void the user's authority to operate the equipment.

NOTE:

This equipment has been tested and found to comply with the limits for a Class B digital device, pursuant to Part 15 of the FCC Rules. These limits are designed to provide reasonable protection against harmful interference in a residential installation. This equipment generates uses and can radiate radio frequency energy and, if not installed and used in accordance with the instructions, may cause harmful interference to radio communications. However, there is no guarantee that interference will not occur in a particular installation. If this equipment does cause harmful interference to radio or television reception, which can be determined by turning the equipment off and on, the user is encouraged to try to correct the interference by one or more of the following measures:

Reorient or relocate the receiving antenna.

Increase the separation between the equipment and receiver.

Connect the equipment into an outlet on a circuit different from that to which the receiver is connected.

Consult the dealer or an experienced radio/TV technician for help.

FCC Radiation Exposure Statement

This equipment complies with FCC radiation exposure limits set forth for an uncontrolled environment. This equipment should be installed and operated with minimum distance 20cm between the radiator & your body.

3.3 EC DECLARATION OF CONFORMITY

ZENDURE TECHNOLOGY CO., LIMITED declares that the SolarFlow product (Hub 2000) complies with directive 2014/53/EU (RED) , 2011/65/EU(RoHS) , 2015/863/EU(RoHS) .

The full text of the Declaration of Conformity is available at the following web address : <https://zendure.de/pages/download-center>



Declaration of conformity

The EU Declaration of Conformity can be requested at the address : <https://zendure.de/pages/download-center>



Disposal

Disposal of packaging. Dispose of the packaging separately by type.

Dispose of cardboard and paper in the waste paper collection. Foils for recycling collection.



Dispose of old equipment (applies in the European Union and other European countries with separate collection (waste collection)) Old equipment must not be disposed of in household waste! Every consumer is legally obliged to dispose of old equipment that can no longer be used separately from household waste, for example at a collection point for recyclables.

To ensure proper recycling and avoid negative impact on the environment, electronic devices must be taken to a collection point in their community or district. For this reason, electronic devices are marked with the symbol shown here.

4. Important Tips



The solar PV system is grid-tied. Please check if it is allowed in your area. Depending on the region, of ficial approval may be required before or after installation.



Hub 2000 and AB1000 should be protected from direct sunlight to prevent rapid temperature increase.



Please check the accessories before installation, some accessories need to be purchased separately.



After the installation, please first download the Zendure App to check electricity produced and set the power to the Microinverter.



After SolarFlow installation, it will take about 5 minutes before it can be connected to the grid, and the data will be synchronized to the Zendure App within 20 minutes.




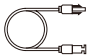
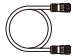




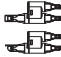

Before setting the output to Microinverter, please confirm the rated power of your Microinverter, the output to Microinverter should not be greater than the rated power of your Microinverter.



Please turn off the device (press and hold IOT Button for 6s to shut off SolarFlow. If battery is SuperBase V / Satellite Battery and still working , then also hold its Power Button for 3s to switch it off .) for removing or installing battery .

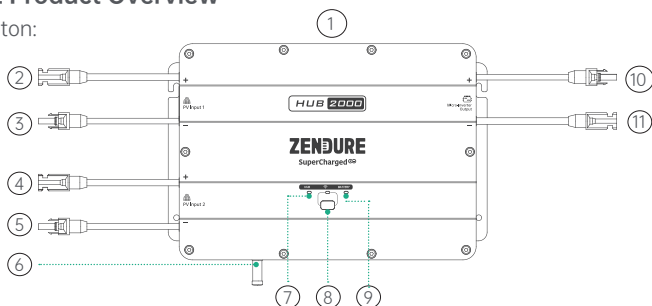
5. Getting Started

5.1 What's in The Box

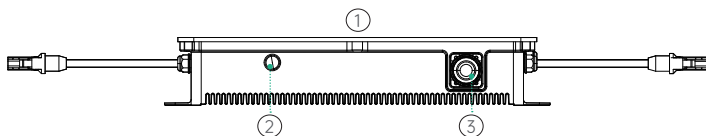
No.	Picture	Name	
1		Hub 2000	
2		4*Microinverter Cable 0.6m	Microinverter Cable: Used for Microinverter connection.
3		Battery Cable 1.5m	Battery Cable: Used for AB1000 or AB2000 connection.
4		User Manual	
5		6* Mounting Screws M4.7*39mm	Mounting Screws: Hooking up Hub 2000 and Microinverter.
6		1* Aerial	
7		2* Flat Washeret	Flat Washeret: Used to fixed the Microinverter.
8		A Set of MC4 Y connectors 1-to-2	
* 9		1*Hub to SBV Cable or Hub to Satellite Battery Cable	* Battery Cable: Hub to SBV Cable or Hub to Satellite Battery Cable (not included). This will be needed in order to connect Hub 2000 to a SuperBase V or Satellite Battery.

5.2 Product Overview

Button:



- ① TOP
- ② MC4 Connector PV Input 1 positive electrode
- ③ MC4 Connector PV Input 1 negative electrode
- ④ MC4 Connector PV Input 2 positive electrode
- ⑤ MC4 Connector PV Input 2 negative electrode
- ⑥ Aerial
- ⑦ Hub Status Indicator
- ⑧ IoT Button & Indicator
- ⑨ Battery Status Indicator
- ⑩ MC4 Connector Microinverter Output positive electrode
- ⑪ MC4 Connector Microinverter Output negative electrode



① Bottom ② Aerial Port ③ Battery Port

IoT Connection: After Hub 2000 is powered on, the IoT indicator starts to flash rapidly, and the device automatically enters the IoT connection. Users can directly connect to IoT on Zendure App.

Tips:

- After the device is bound to Zendure Apps, when SolarFlow is turned on again, the IoT indicator light flashes slowly until it can communicate with the Zendure App.
- If you want to re-bind the account and reset the IoT connection, please press and hold the IoT button for 3 seconds to start the IoT connection.
- Hub 2000 & AB1000 or AB2000 or SuperBase V or Satellite Battery Hardware Reset: Press and hold the IoT button 10 seconds to reset Hub 2000 & AB1000 or AB2000 or SuperBase V or Satellite Battery .

Tips:

- Both Solar panels and AB1000 or AB2000 or SuperBase V or Satellite Battery power supply can wake up Hub 2000.
- If the Hub 2000 is connected to a SuperBase V or a Satellite Battery, it is recommended that you include at least one Solar Panel in your system, connected to the battery using an MC4 to XT-90 cable. This will allow the battery to "wake up" even if its energy is completely drained, as long as there is some power coming in from the solar panel.
If the battery completely drained, please follow the steps below to reactivate it.
If there is input power available, press the Power Button for 1 second on the battery to initiate charging.
If there is no input power available, you will need to supply the battery with AC power first.
- To protect the battery, AB1000 or AB2000 will be turned off at the factory, so please activate the battery by turning on SolarFlow for the first time (press and hold the IoT button for 2 seconds).
- Before unplugging a connection, please turn off SolarFlow .

Operation Guidelines:

Tips:

The working process of SolarFlow as follows:

First the Hub 2000 powered on, then it will enter the working state (the Hub 2000 indicator will lit green), second the IoT function will be awakened, and the device will directly enter Wi-Fi connecting state (the IoT indicator flashes green), and finally, the Hub 2000 will send a signal to activate AB1000 or AB2000 (the AB1000 or AB2000 indicator flashes green for 2 seconds before entering a steady state).

If you're using a SuperBase V or Satellite Battery, please follow the steps below to power up your Hub 2000 and establish the IOT connection.

- 1) Press and hold the SuperBase V or Satellite Battery's Power Button for 1 second to turn it on.
- 2) Open the Zendure App, then press and hold the IOT Button on your SuperBase V or Satellite Battery for 3 seconds.
- 3) In the app, turn on the Parallel Switch to provide power to the Hub 2000.
- 4) Press and hold the IOT Button of your Hub 2000 for 3 seconds to finish making the connection.

Operation Guidelines:

Item	Item	How To	LED Indicator
Hub 2000	Power ups	Connect PV or AB1000 or AB2000 or SuperBase V or Satellite Battery	Hub 2000 indicator lits green
	Power outage	Disconnect PV or AB1000 or AB2000 or SuperBase V or Satellite Battery.	All indicators not be lit
	start IoT Connection	After Hub 2000 Power ups	IoT indicator flashes green slowly
	IoT Connecting	After Hub 2000 power ups	IoT indicators flashes green
	Finishing IoT Connection	/	IoT indicator lits green
	Reset IoT Connection	Press and hold IoT button for 3 seconds	IoT indicators flashes green
	Turn off IoT	Press and hold the IoT button 1 seconds	IoT indicators not be lit
	Turn on IoT	Press and hold the IoT button 1 seconds	IoT indicators flashes green
	overvoltage reminding / overcurrent reminding / short circuit reminding / error reminding	Please stop using immediately, check the detailed error information in Zendure APP, and contact customer service	Hub 2000 Indicator flashes red
AB1000or AB2000 or SuperBase V or Satellite Battery	AB1000 or AB2000 connection	After Hub 2000 Power ups	AB1000 or AB2000 indicator flashes green for 2s and then stays lit green
	AB1000 or AB2000 or SuperBase V or Satellite Battery recharging	/	1) AB1000 or AB2000 Indicator flashes green. 2) SuperBase V will display Input Power on the Screen. 3) Satellite Battery's Power Button will flash.
	AB1000 or AB2000 or SuperBase V or Satellite Battery battery left capacity	Display on Zendure App,Download the Zendure App and bind Solar Flow. SuperBase V and Satellite Batteries will also appear on the Display.	/
	low power reminding	Display on Zendure App,Download the Zendure App and bind Solar Flow	AB1000 or AB2000: Indicator will turn red. SuperBase V or Satellite Battery: Power Ring or Power Indicator will flash for 30 seconds when the State of Charge (SOC) is low (10% to 20%). Additionally, it will beep 5 times when the SOC drops to 5%.
	Low temperature warning	Waiting the temperature is normal before using	1) AB1000 or AB2000 indicator lit red . 2) SuperBase V or Satellite Battery: Low- or High-Temperature Warning flashes on the screen.
	high temperature warning		
overvoltage reminding / overcurrent reminding / short circuit reminding / error reminding	Please stop using immediately, check the detailed error information in Zendure APP, and contact customer service	AB1000 or AB2000: Indicator will turn red. SuperBase V: Battery Failure and Error Code flashes on Display. Satellite Battery: Status Indicator will turn on.	

Item	How To	LED Indicator
Turn on SolarFlow	If the battery is an AB1000 or AB2000, press and hold the IOT Button for 2 seconds to turn it on. If the battery is a SuperBase V or Satellite Battery, press and hold the Power Button for 1 second to turn on the SuperBase V or Satellite Battery, open the Zendure App, then press and hold the IOT Button on the SuperBase V or Satellite Battery for 3 seconds. Then, using the app, turn on the Parallel Switch to provide power to the Hub 2000.	<ul style="list-style-type: none"> • Hub 2000 indicator lits green • IoT indicator flashes green • AB1000 or AB2000 indicator flashes green for 2s and then stays lit green
Turn off SolarFlow	Press and hold the IOT Button for 6 seconds to turn off SolarFlow. If your system includes a SuperBase V or Satellite Battery, and that device is still running, press and hold its Power Buton for 3 seconds to turn it off.	All indicators not be lit
Hub 2000 & AB1000or AB2000 or SuperBase V or Satellite Battery Hardware Reset	Press and hold the IoT button 10 seconds	/
Hub 2000 & AB1000or AB2000 or SuperBase V or Satellite Battery OTA	Download the Zendure App to OTA	/

Tips:

- Choose one of bluetooth or Wi-Fi on Zendure App, Wi-Fi is preferred .
- When your Hub 2000 is connected to either a SuperBase V or a Satellite Battery, and power is being supplied to the solar input, your Hub 2000 will automatically turn on. If no battery is connected within 5 minutes, the Hub 2000 will initially switch to bypass mode and direct power to the micro-inverter (at a default output of 200W, determined in the Zendure App). However, if a SuperBase V or Satellite Battery is connected within this 5-minute window, the SolarFlow will continue to operate in its default mode.

If your Hub 2000 is connected to a SuperBase V or a Satellite Battery, and it's still receiving solar input power after being turned off, it will turn itself back on after 10 minutes and operate in bypass mode, directing power to the micro-invertor at a default of 200W (determined in the Zendure App).

If your Hub 2000 loses its Wi-Fi connection while receiving solar power, it will automatically switch to bypass mode and output power to the micro-inverter at a default of 200W (determined by the Zendure App).

5.3 Installation

- If you wish to verify and commission your solar system immediately, complete the installation when the weather is sunny.
- It is recommended that at least two people participate in the installation.
- Please remember whether connecting or disconnecting Hub 2000 with AB1000 or AB2000 or SuperBase V or Satellite Battery, solar panels or Microinverters. make sure SolarFlow is turned off by ways of below .
- Press and hold IOT Button for 6s to shut off SolarFlow.
If battery is SuperBase V / Satellite Battery and still working , then also hold its Power Button for 3s to switch it off .

5.3.1 Installation Steps Overview

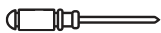
- Disconnect the solar panel, Microinverter and the home grid
- Install Hub 2000
- Install Smart Microinverter
- Find a place to stack AB1000 or AB2000 or SuperBase V or Satellite Battery.
- Connect the top one AB1000 or AB2000 or SuperBase V or Satellite Battery to the Hub 2000
- Connect the Microinverter to home grid
- Connect the solar panels to the Hub 2000
- Scan the QR code and download the Zendure app. Follow the instructions of the app to set up device. After 20 minutes, you will get the SolarFlow power storage system's data on your Zendure app.

Tips:

According to the government's regulations and to ensure safety, the Microinverter can only start working after connecting to a powered grid for 5 minutes. To improve the accuracy of the data, the system will verify and validate it for 15 minutes before showing it on the app.

5.3.2 Installation Tools

Before installation, please check all accessories and prepare the following tools (tools are not included in the purchase)



Phillips Screwdriver



Hexagon Wrench



Work Gloves



Electric Drill



Marker Pen

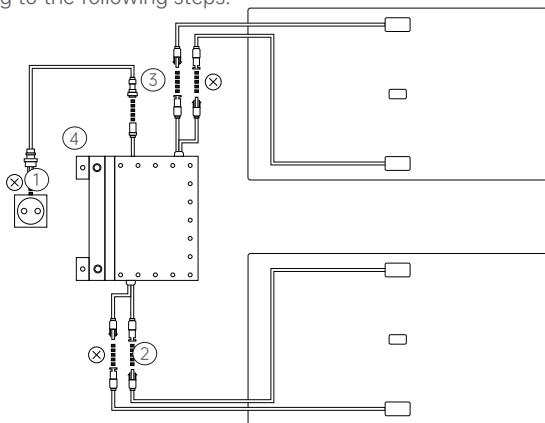


Tape Measure

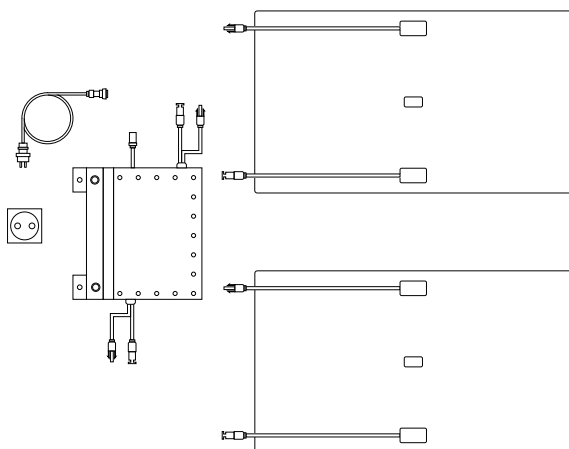
5.3.3 Disconnection

Tips: The method of disassembly is subject to the instructions of the Microinverter, and please confirm the warranty terms of the microinverse before disassembly.

If you have installed the balcony solar system, you need to disconnect it according to the following steps:



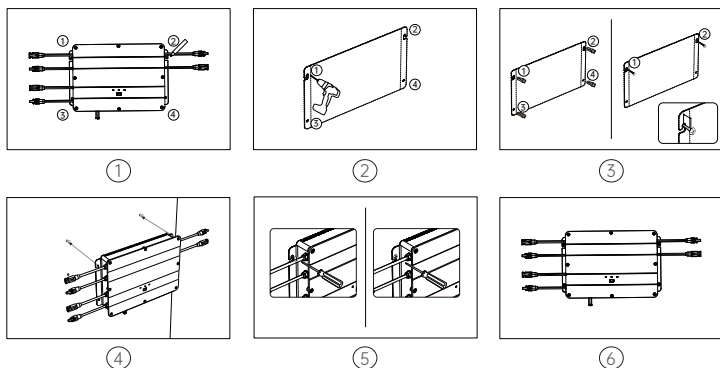
- ① Unplug the cables of the Microinverter and the home grid.
- ② Only unplug the cables of the first solar panel and the Microinverter.
Tips: The installation of the solar panel does not need to be moved unless you want to change the location.
- ③ The same way to unplug the cables of the second solar panel and the Microinverter.
- ④ Unscrew the mounting screws of the Microinverter, remove the Microinverter fixed on the solar panel or metal bracket.
Tips: Ensure that the state after disconnection is as shown in following figure.



5.3.4 Install Hub 2000

Tips:

- Please install the Hub 2000 in a place out of direct sunlight.
- The length of our solar cables are 3 meter (need to be purchased additionally) , so before confirming the location of the Hub 2000's installation, please measure the distance from MC4 connector of solar panel to MC4 connector of Hub 2000.
- The Hub 2000 does not come with a Wi-Fi antenna installed. Please install the Wi-Fi antenna on the Smart PVHub before mounting it on the wall.

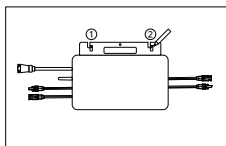


- ① Mark Location, Find a wall you plan to install, one person fixes the Hub 2000 on the wall with his hands, and the other person marks the positions of the four screw holes of the Hub 2000 with a marker.
- ② Drilling, drill four diameter 8mm mounting holes at the four marked positions.
- ③ Installing screws, first Respectively Install the yellow plastic expansion screw tube into the 4 holes which step 3 drilling, then screw 2/3 of the ① & ② screws into the yellow plastic expansion tube.
- ④ Hang Hub 2000, please hang the Hub 2000 on exposed part of the screw ① & ②.
- ⑤ One person fixes the Hub 2000 with both hands, and the other one screws the rest of ① & ② screw into the wall completely.
- ⑥ Install another two screws, screw 3 and 4 into the yellow plastic expansion tube and completely into the wall. In this way, you have completed the installation of Hub 2000.

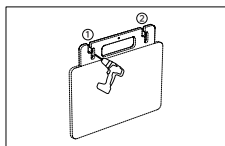
5.3.5 Install Microinverter

Tips: The method of assembly is subject to the instructions of the Microinverter.

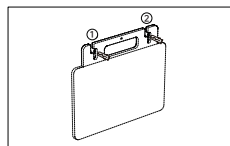
- In order to less connections, it is recommended that Microinverter is installed between Hub 2000 and home socket, close to the PV Hub.
- Ensure a distance of at least 50mm between the Hub 2000 and the Microinverter to dissipate heat.



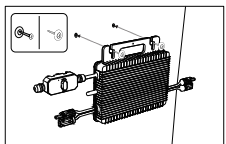
①



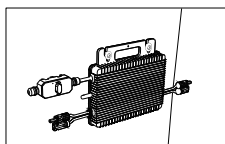
②



③



④

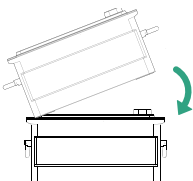


⑤

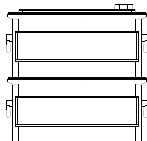
- ① Mark Location, Find a position next to Hub 2000, one person fixes the Microinverter on the wall with his hands, and the other person marks the positions of the two screw holes of the Microinverter with a marker.
- ② Drilling, drill two diameter 8mm mounting holes at the two marked positions.
- ③ Installing yellow plastic expansion tube of screws, Respectively Install the yellow plastic expansion screw tube into the two holes which step 2 drilling.
- ④ Installing Microinverter, One person fixes the Microinverter with both hands on the wall and align the hole drilling in step 2, then put the flat Washers on the screws, at last screw ① & ② screws with flat Washer into the yellow plastic expansion tube .
- ⑤ Tighten the screws, screws the rest of ① & ② screw into the wall completely. Then you also have completed the installation of Microinverter.

5.3.6 Stack AB1000 or AB2000

Before stacking AB1000 or AB2000, please pay attention to the note on the top of AB1000 or AB2000.



①



②

- ① Remove the plastic protective covers on the connection port, then please align the left side first.
- ② Slowly insert the battery connection port.

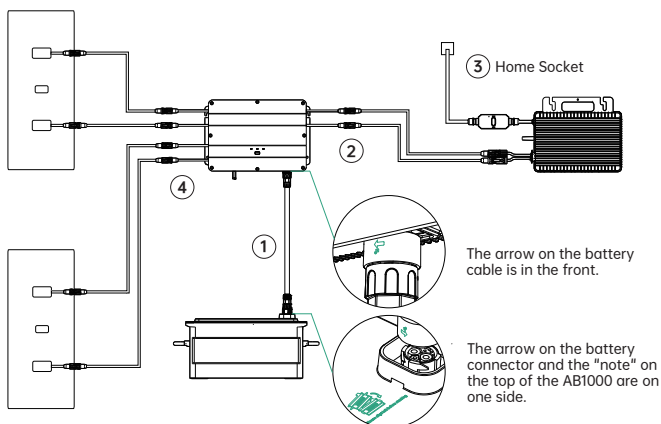
Tips: The Hub 2000 can only be connected to a SuperBase V without a Satellite Battery, or it can only be connected to one Satellite Battery without a SuperBase V. Multiple batteries are not supported.

5.3.7 Connect with Cables

Tips: Before connecting cable, please make sure that the product is turned off. Press and hold IOT Button for 6s to shut off SolarFlow.

If battery is SuperBase V / Satellite Battery and still working, then also hold its Power Button for 3s to switch it off.

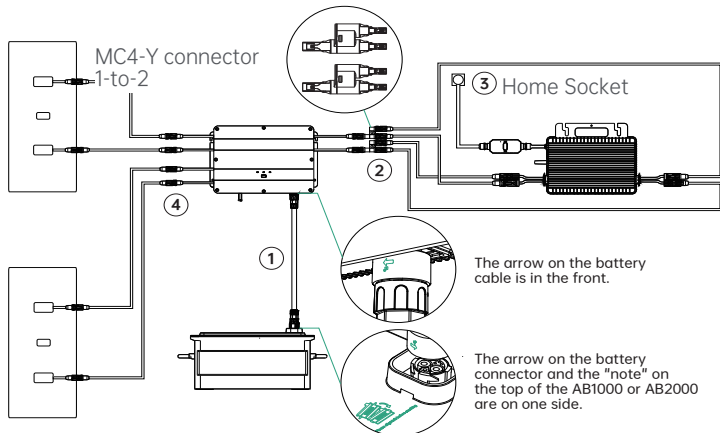
Cable Connection For 1-in-1 Microinverter



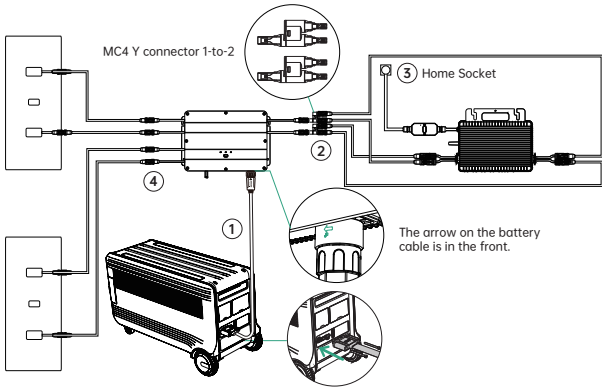
- ① Connect AB1000 or AB2000 or SuperBase V or Satellite Battery to Hub 2000 with the battery cable, The terminals of battery cable can be self-locking, when you hear a click, you have inserted the battery cable well. (Be sure to tighten the connector screws for a secure connection to your SuperBase V or Satellite Battery.)
- ② Connect Hub 2000 to Microinverter with Microinverter cable.
- ③ Connect the Microinverter to the home socket with your original cable.
- ④ Connect the solar panel to Hub 2000.

Tips: You must connect AB1000 or AB2000 or SuperBase V or Satellite Battery first and then connect the solar panels.

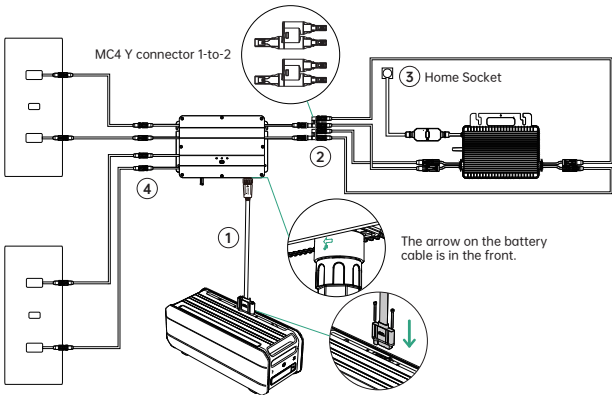
Cable Connection For 2-in-1 Microinverter



Cable Connection For SuperBase V



Cable Connection For Satellite Battery



- ① Connect AB1000 or AB2000 or SuperBase V or Satellite Battery to Hub 2000 with the battery cable, The terminals of battery cable can be self-locking, when you hear a click, you have inserted the battery cable well. (Need to tighten the screws of connector between the connection with SBV or Satellite Battery)
- ② Connect Hub 2000 to Microinverter, first connect the "1 to 2 MC4 connector" to Hub 2000, then connect to the Microinverter with.
- ③ Microinverter cable and another 2 MC4 expand cables.
- ④ Connect the Microinverter to the home socket with your original cable. Connect the solar panel to Hub 2000.

Tips:

- You must connect AB1000 or AB2000 or SuperBase V or Satellite Battery first and then connect the solar panels.
- After completing the connection, please turn on SolarFlow
 - 1) If battery is AB1000 or AB2000, then press the IOT button for 2 seconds to turn on.
 - 2) If battery is SuperBase V or Satellite Battery, then press the power button for 1 seconds to turn on the Battery, open the App, press and hold the IOT button of battery for 3 seconds to finish pairing, finally, turn on the Parallel Switch to provide power to the Hub 2000.

5.3.8 Download the Zendure app

The Zendure App gives users the ability to allocate the power to AB1000 or AB2000 or SuperBase V or Satellite Battery and home grid and monitor power generation, the power to Microinverter can be set in a range of 100-1200W.

Read the Zendure App user guide and access the download link here: <https://zendure.com/pages/download-center>.



Privacy Policy

By using Zendure Products, Applications and Services, you consent to the Zendure Terms of Use and Privacy Policy, which you can access via the "About" section of the "User" page in the Zendure App

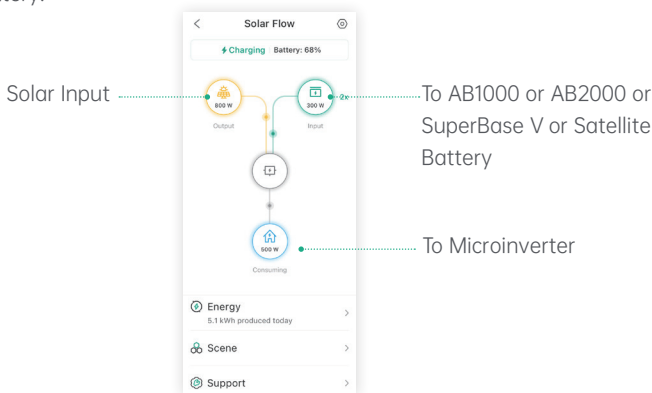
* Add device and Update to the latest firmware version

Using the device for the first time, you need to update the firmware via the Zendure App. More information, please check the Zendure App user guide.

* Set the power to the Microinverter

The maximum solar input power of SolarFlow system is 800W, you can set the power to Microinverter, and the excess power will be automatic stored in the battery. For example:

If the total solar input is 800W, you set 200W to Microinverter, and then there will be 600W input AB1000 or AB2000 or SuperBase V or Satellite Battery.



Tips:

- It takes a period of time for the system to grid connection, and it takes about 20 minutes to synchronize data to Zendure App, so after the installation, please wait 20 minutes before going to the APP settings.
- It is recommended that you as much as possible store in the battery during the day except for basic power consumption. The way to know the basic power consumption as follow:
 1. Calculated the device consumption you always run during the day or 24 hours a day, such as refrigerators, routers and standby devices.
 2. Go to the meter box right before you go to bed, write down your current meter reading and the time. As soon as you get up, you write down the meter reading and the time. You can calculate your base load from consumption and elapsed time.
 3. You can use a measuring socket that you plug between the socket and the power consumer. To calculate the base load, you collect the wattage consumed from all the devices that are constantly running (including standby) and add up the values.

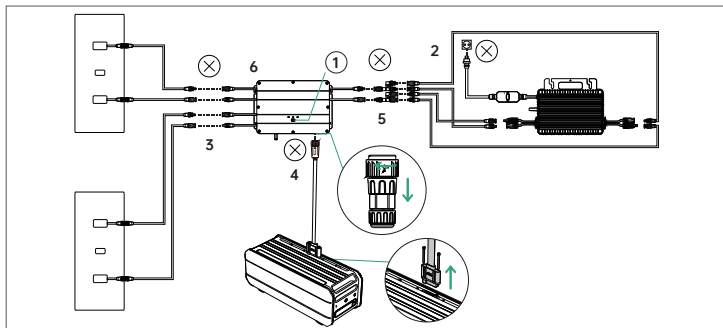
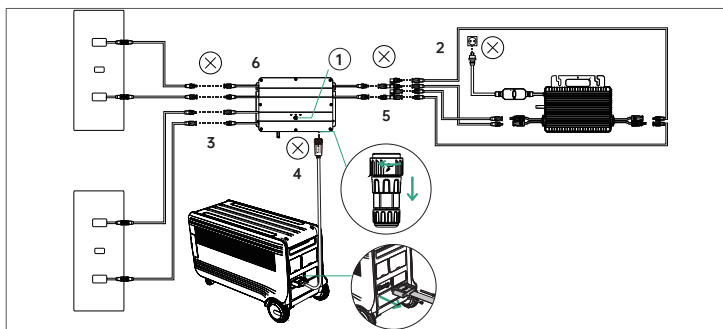
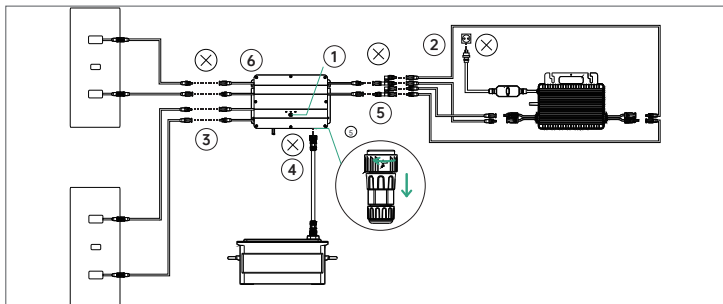
5.3.9 Disconnection of SolarFlow

Tips:

Before disconnecting, please turn off SolarFlow

Press and hold IOT Button for 6s to shut off SolarFlow.

If battery is SuperBase V / Satellite Battery and still working , then also hold its Power Button for 3s to switch it off .



- ① First turn off SolarFlow . Press and hold IOT Button for 6s to shut off SolarFlow.
If battery is SuperBase V / Satellite Battery , then also hold its Power Button for 6s to switch it off .
- ② Disconnection of home grid,un plug the cables of Microinverter and home shuko.
- ③ Disconnection of solar panels,unplug the cables of the two solar panels and Hub 2000.
- ④ Disconnection of AB1000 or AB2000 or SuperBase V or Satellite Battery ,Unplug the cables of Hub 2000 and AB1000 or AB2000 or SuperBase V or Satellite Battery.
- ⑤ Disconnection of m Microinverter,unplug the cables of Microinverter and Hub 2000.
- ⑥ Unscrew the mounting screws of Hub 2000 and Microinverter, remove Hub 2000 and Microinverter from the wall.

Tips: During the disassembly, please pay attention to storing and keeping all the parts for re-installation.

ZENDURE

SuperCharged 

Contact us

If you have any question, please contact us with below method.

Email:

support@zendure.com

support-eu@zendure.com

Hotline(US):

+1(800)991-6148, Monday-Friday 7am to 4pm Pacific time (Except Public holiday)

Hotline(EU):

+49-800-627-3067, Monday-Friday 9am to 6pm (Except Public holiday)

Support center website:

US: Support.zendure.com

DE: Support.zendure.com/portal/de

How to claim your warranty

Please send an email with following information to our customer support email:

1. Order number and proof purchase.
2. Serial number.
3. Video or photo of any defective phenomenon or damage from product.
4. Contact number: Telephone/Email.



Dear Zendure customer Please scan the QR code for always up-to-date info on the existence, validity, and expiration of the warranty.

HAFTUNGSAUSSCHLUSS

Lesen Sie alle Sicherheitshinweise, Warnungen und die sonstigen Produktinformationen in dieser Anleitung genau durch, und lesen Sie vor der Verwendung des Produkts alle Etiketten oder Aufkleber, die an ihm angebracht sind. Der Nutzer trägt die volle Verantwortung für die sichere Verwendung und Bedienung dieses Produkts. Machen Sie sich mit relevanten Richtlinien in Ihrer Region vertraut. Sie zeichnen allein dafür verantwortlich, sich mit allen relevanten Richtlinien und der konformen Verwendung von Zendure-Produkten vertraut zu machen.

Bewahren Sie diese Anleitung zum künftigen Nachschlagen auf.

INHALT

1. Bevor Sie beginnen	19
2. Technische Daten	19
3. SICHERHEITSANWEISUNGEN	21
3.1 Verwendung.....	21
3.2 FCC-ERKLÄRUNG.....	22
3.3 EU-KONFORMITÄTSEKTLÄRUNG	22
4. Wichtige Tipps	23
5. Erste Schritte.....	24
5.1 Lieferumfang	24
5.2 Produktübersicht.....	24
5.3 Installation.....	28
5.3.1 Installationsschritte im Überblick.....	28
5.3.2 Installationswerkzeuge	28
5.3.3 Trennung.....	28
5.3.4 Hub 2000 installieren.....	30
5.3.5 Mikro-Inverter installieren	30
5.3.6 AB1000 oder AB2000 stapeln	31
5.3.7 Kabel anschließen	32
5.3.8 Zendure-App herunterladen	34
5.3.9 SolarFlow trennen	35

1. Bevor Sie beginnen

Die Informationen hierin können ohne Ankündigung geändert werden. Die aktuellste Version finden Sie unter <https://zendure.com/pages/download-center>.

2. Technische Daten

Zum SolarFlow-System gehören der Hub 2000 sowie der Zusatzakku AB1000 oder AB2000 bzw. die SuperBase V oder der Satellitenakku. SolarFlow und Mikro-Inverter stellen ein kleines, mit dem Stromnetz verbundenes PV-Energiespeichersystem dar, das darauf abzielt, Ihre Stromkosten zu reduzieren.

Dieses Produkt kann nicht während Stromausfällen genutzt werden.

Name	Hub 2000
Modell	ZDHUB2000
Gewicht	≈ 5,2 kg
Abmessungen (L x B x H)	363 × 246 × 64 mm
Drahtlostyp	Bluetooth, 2,4 GHz & 5 GHz WLAN
IP-Schutzart	IP65
Garantie	10 Jahre
PV-Eingang	
Empfohlene Eingangsleistung	Je 1200 W
Maximale Eingangsgleichspannung	60 V
MPPT-Spannungsbereich	16-60 V
MPPT-Spannungsbereich bei voller Leistung	35-60 V
Minimale Eingangsgleichspannung	16 V
Max. Eingangsstrom	2 x 26 A
Anzahl MPPT	2
Ausgang an Mikro-Inverter	
Empfohlene Leistung des Mikro-Inverters	400-1200 W
Nennausgangsleistung	1200 W
Max. Mikro-Inverter-Ausgangsleistung	1200 W
Nennausgangsstrom	30 A
Nennspannungsbereich	16-60 V
Effizienz	
Ausgangseffizienz	98 %
MPPT-Trackingeffizienz	99 %
Betriebstemperatur (° C)	-20 °C bis 45 °C
Eingang von AB2000	
Max. Eingangsleistung	1200 W
Max. Eingangsstrom	25 A
Nennspannung	48 V
Ausgang zum AB2000	
Max. Eingangsleistung	1200 W/ 1800 W (≥ 2 x AB2000)
Max. Eingangsstrom	25 A / 37,5 A (≥ 2*AB2000)
Spannungsbereich	42 V bis 54,75 V
Eingang von AB1000	
Max. Eingangsleistung	1200 W
Max. Eingangsstrom	25 A
Nennspannung	48 V
Ausgang zum AB1000	
Max. Eingangsleistung	800 W
Max. Eingangsstrom	16,6 A
Spannungsbereich	42 V bis 54,75 V
Eingang von der SuperBase V oder dem Satellitenakku	

Max. Eingangsleistung	1200 W
Max. Eingangsstrom	25 A
Spannungsbereich	45-58,4 V
Ausgang zur SuperBase V oder dem Satellitenakku	
Max. Eingangsleistung	1800 W
Max. Eingangsstrom	37,5 A
Nennspannung	45-58,4 V

Im Hub 2000-Controller ist kein Akkupack enthalten; der Akku muss separat erworben werden. Weitere Informationen über den AB1000 oder AB2000 bzw. der SuperBase V oder den Satellitenakku finden Sie in der Bedienungsanleitung für den AB1000 oder AB2000 bzw. die SuperBase V oder den Satellitenakku.

3. SICHERHEITSANWEISUNGEN

3.1 Verwendung

- Bitte prüfen Sie SmartFlow vor dem Betrieb auf Schäden, Risse, ausgetretene Flüssigkeit, Hitze und andere Anomalien sowie Kabelschäden. Falls Sie Probleme feststellen, stellen Sie die Benutzung des Produktes umgehend ein und wenden Sie sich an unseren Kundendienst.
- Achten Sie darauf, dass ein Abstand von 50 mm zwischen dem Hub 2000 und anderen Gegenständen vorhanden ist.
- Vermeiden Sie während des Betriebs des Solarenergie-Systems direktes Sonnenlicht, damit sich das SolarFlow-System nicht überhitzt. Platzieren Sie SolarFlow nicht in der Nähe einer Wärmequelle.
- Verwenden Sie das Produkt nicht in der Nähe von starker statischer Elektrizität oder starken Magnetfeldern.
- Das Gerät darf nicht in einer Umgebung mit entflammaren, explosiven Gasen oder Rauch platziert werden. Da SmartFlow darauf angewiesen ist, dass das Gehäuse Wärme ableitet, führt eine Überhitzung des Gehäuses zu Schäden.
- Versuchen Sie nicht, interne Komponenten des Geräts durch unautorisiertes Personal ersetzen zu lassen.
- Installieren Sie das Produkt entsprechend unserer Bedienungsanleitung, um Produktschäden oder Verletzungen zu vermeiden.
- Stellen Sie vor dem Abschluss der Installation sicher, dass das Solar- und das Mikro-Inverter-Kabel nicht mit dem häuslichen Stromnetz verbunden ist.
- Stellen Sie sicher, dass der Hub 2000 und der Mikro-Inverter fest installiert sind, damit die Geräte nicht herunterfallen und Unfälle oder Produktschäden verursachen können.
- SolarFlow hat den Schutzgrad IP65, was bedeutet, dass das Produkt nicht in Flüssigkeiten getaucht werden darf. Falls Sie das Produkt im Betrieb versehentlich in Wasser fallen lassen, stellen Sie es an einem sicheren, freien Ort auf und halten Sie es fern, bis es vollständig getrocknet ist. Das getrocknete Produkt sollte nicht wiederverwendet, sondern sachgemäß in Übereinstimmung mit dem Abschnitt Anleitung zur Entsorgung dieser Anleitung entsorgt werden.
- Stellen Sie im Betrieb eine angemessene Belüftung sicher. Eine unzureichende Belüftung kann dauerhafte Geräteschäden verursachen.
- Stellen Sie nichts auf SmartFlow. Installieren Sie es an Orten, an denen es niemand berühren kann.
- Bewegen oder schütteln Sie das Gerät nicht während des Betriebs, da Vibrationen und plötzliche Stöße die Anschlüsse an die interne Hardware beeinträchtigen können.

14. Im Brandfall eignet sich ausschließlich Löschpulver zum Löschen des Produktes.
15. Reinigen Sie die Anschlüsse nur mit einem trockenen Tuch.
16. Halten Sie das Produkt von Kindern und Haustieren fern.
17. Verwenden Sie aus Sicherheitsgründen nur das originale Ladegerät und die für das Gerät konzipierten Kabel. Wir haften nicht für Schäden durch Drittgeräte. Zudem könnten diese Ihre Garantie erlöschen lassen.

3.2 FCC-ERKLÄRUNG

Dieses Gerät erfüllt Teil 15 der FCC-Vorschriften. Der Betrieb unterliegt den folgenden beiden Bedingungen:

- (1) Dieses Gerät darf keine Funkstörungen verursachen, und
- (2) dieses Gerät muss alle empfangenen Interferenzen annehmen, auch solche, die einen unerwünschten Betrieb verursachen können.

Nicht ausdrücklich von der für Konformität verantwortlichen Partei zugelassene Änderungen oder Modifizierungen könnten dazu führen, dass der Nutzer die Berechtigung zum Betrieb des Geräts verliert.

HINWEIS:

Dieses Gerät wurde getestet und entspricht den Grenzwerten für ein digitales Gerät der Klasse B in Übereinstimmung mit Teil 15 der FCC-Vorschriften. Diese Grenzwerte wurden festgelegt, um einen angemessenen Schutz vor Störungen in einer häuslichen Installation zu gewährleisten. Dieses Gerät erzeugt und nutzt Hochfrequenzenergie und kann diese auch abstrahlen und kann, wenn es nicht entsprechend den Anweisungen installiert und verwendet wird, den Funkverkehr empfindlich stören. Allerdings ist nicht gewährleistet, dass es in bestimmten Installationen nicht zu Störungen kommt. Falls dieses Gerät Störungen des Radio- oder Fernsehempfangs verursachen sollte, was leicht durch Aus- und Einschalten des Gerätes herausgefunden werden kann, wird dem Anwender empfohlen, die Störung durch eine oder mehrere der folgenden Maßnahmen zu beseitigen:

Neuausrichtung oder Neuplatzierung der Empfangsantenne(n).

Vergrößern des Abstands zwischen Gerät und Empfänger.

Anschluss des Gerätes an einen vom Stromkreis des Empfängers getrennten Stromkreis.

Hinzuziehen des Händlers oder eines erfahrenen Radio-/Fernsehtechnikers.

FCC-Erklärung zur Strahlenbelastung

Dieses Gerät stimmt mit den von der FCC festgelegten Grenzwerten einer Strahlenbelastung für eine unkontrollierte Umgebung überein. Dieses Gerät muss mit einem Mindestabstand von 20 cm zwischen dem Strahler und Ihrem Körper installiert und in Betrieb gesetzt werden.

3.3 EU-KONFORMITÄTSERKLÄRUNG

ZENDURE TECHNOLOGY CO., LIMITED erklärt, dass das SolarFlow-Produkt (Hub 2000) die Richtlinien 2014/53/EU (RED), 2011/65/EU (RoHS), 2015/863/EU (RoHS) erfüllt.

Den vollständigen Text der Konformitätserklärung finden Sie unter folgender Internetadresse: <https://zendure.de/pages/download-center>



Konformitätserklärung

Die EU-Konformitätserklärung kann unter folgender Adresse abgerufen werden: <https://zendure.de/pages/download-center>



Entsorgung

Entsorgung der Verpackung. Verpackung separat nach Typ entsorgen.

Pappe und Papier im Altpapier entsorgen. Folien dem Recycling zuführen.



Altgeräte entsorgen (gilt in der Europäischen Union und in anderen europäischen Ländern mit separaten Sammelsystemen (Abfalltrennung)) Altgeräte dürfen nicht über den Hausmüll entsorgt werden! Jeder Kunde ist gesetzlich verpflichtet, Altgeräte, die nicht länger benutzt werden können, separat vom Hausmüll zu entsorgen, bspw. bei einer Sammelstelle für recyclingfähige Abfälle.

Zur Gewährleistung eines angemessenen Recyclings und zur Vermeidung negativer Auswirkungen auf die Umwelt müssen Verbraucher elektronische Geräte zu einer Sammelstelle ihrer Gemeinde bringen. Aus diesem Grund sind elektronische Geräte mit dem hier gezeigten Symbol gekennzeichnet.

4. Wichtige Tipps



Das PV-Solarsystem ist mit dem Stromnetz verbunden. Prüfen Sie, ob dies in Ihrer Region erlaubt ist. Je nach Region könnte vor oder nach der Installation eine offizielle Genehmigung erforderlich sein.



Der Hub 2000 und der AB1000 sollten vor direktem Sonnenlicht geschützt werden, damit es nicht zu einem schnellen Temperaturanstieg kommt.



Prüfen Sie vor der Installation das Zubehör. Einige Zubehörteile müssen separat erworben werden.



Laden Sie nach der Installation bitte erst die Zendure-App herunter, um die erzeugte Elektrizität zu überprüfen und Leistungsausgabe zum Mikro-Inverter einzustellen.



Nach der SolarFlow-Installation dauert es etwa 5 Minuten, bis es eine Verbindung zum Stromnetz herstellen kann. Die Daten werden innerhalb von 20 Minuten mit der Zendure-App synchronisiert.




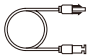
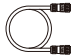




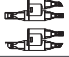
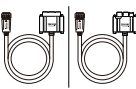
Überprüfen Sie vor Einstellung des Leistungsausgangs zum Mikro-Inverter bitte die Nennleistung Ihres Mikro-Inverters, denn der Leistungsausgang zum Mikro-Inverter darf die Nennleistung Ihres Mikro-Inverters nicht überschreiten.



Schalten Sie das SolarFlow-Gerät bitte aus, (Halten Sie die IoT-Taste 6 Sekunden lang gedrückt. Handelt es sich beim Akku um SuperBase V/ Satellitenakku und ist das Gerät weiterhin in Betrieb, halten Sie seine Ein/Aus-Taste 3 Sekunden lang gedrückt, um das Gerät auszuschalten.) damit Sie den Akku herausnehmen oder installieren können.

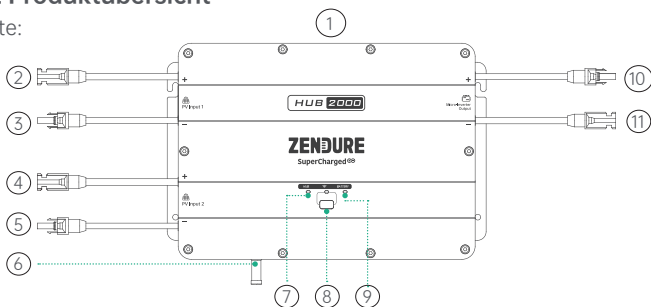
5. Erste Schritte

5.1 Lieferumfang

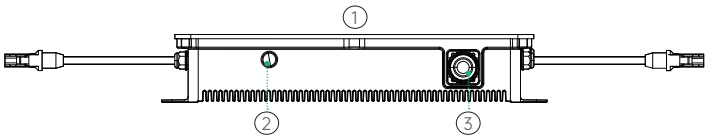
Nr.	Abbildung	Name	
1		Hub 2000	
2		4 x Mikro-Inverter-Kabel, 0,6 m	Mikro-Inverter-Kabel: Hiermit wird der Mikro-Inverter angeschlossen.
3		Akkukabel, 1,5 m	Akkukabel: Hiermit wird der AB1000 oder AB2000 angeschlossen.
4		Bedienungsanleitung	
5		6 x Montageschraube, M4,7 x 39 mm	Montageschrauben: Hiermit werden der Hub 2000 und der Mikro-Inverter befestigt.
6		1 x Antenne	
7		2 x flache Unterlegscheibe	Flache Unterlegscheibe: Hiermit wird der Mikro-Inverter befestigt.
8		Ein Set mit 1-zu-2-MC4-Y-Steckverbindern	
* 9		1 x Hub-zu-SBV-Kabel oder Hub-zu Satellitenakkukabel	* Akkukabel: Hub-zu-SBV-Kabel oder Hub-zu Satellitenakkukabel (nicht im Lieferumfang enthalten). Dies ist zur Verbindung des Hub 2000 mit einer SuperBase V oder dem Satellitenakku erforderlich.

5.2 Produktübersicht

Taste:



- ① OBEN
- ② MC4-Steckverbinder für PV-Eingang 1 mit positiver Elektrode
- ③ MC4-Steckverbinder für PV-Eingang 1 mit negativer Elektrode
- ④ MC4-Steckverbinder für PV-Eingang mit 2 positiven Elektrode
- ⑤ MC4-Steckverbinder für PV-Eingang 2 mit negativer Elektrode
- ⑥ Antenne
- ⑦ Hub-Statusanzeige
- ⑧ IoT-Taste und Anzeige
- ⑨ Akku-Statusanzeige
- ⑩ MC4-Steckverbinder für Mikro-Inverter-Ausgang mit positiver Elektrode
- ⑪ MC4-Steckverbinder für Mikro-Inverter-Ausgang mit negativer Elektrode



① Unterseite ② Antennenanschluss ③ Akkuanschluss

IoT-Verbindung: Nachdem der Hub 2000 eingeschaltet ist, blinkt die Anzeige in schneller Folge und das Gerät stellt automatisch eine IoT-Verbindung her. Sie können in der Zendure-App direkt eine Verbindung zum IoT herstellen.

Tipps:

- Nachdem das Gerät an die Zendure-App gebunden wurde, blinkt bei erneutem Einschalten von SolarFlow die IoT-Anzeige langsam, bis das Gerät mit der Zendure-App kommunizieren kann.
- Wenn Sie das Konto erneut einbinden und die IoT-Verbindung zurücksetzen möchten, halten Sie die IoT-Taste 3 Sekunden lang gedrückt, um die IoT-Verbindung zu starten.
- Zurücksetzen der Hardware des Hub 2000 & des AB1000 oder AB2000 bzw. der SuperBase V oder des Satellitenakkus: Halten Sie die IoT-Taste 10 Sekunden lang gedrückt, um die Hardware des Hub 2000 & des AB1000 oder AB2000 bzw. der SuperBase V oder des Satellitenakkus zurückzusetzen.

Tipps:

- Strom von den Solarmodulen als auch vom AB1000 oder AB2000 bzw. der SuperBase V oder dem Satellitenakku kann den Hub 2000 reaktivieren.
- Wenn der Hub 2000 mit einer SuperBase V oder einem Satellitenakku verbunden ist, sollten Sie mindestens ein Solarmodul in Ihrem System einbauen, das über ein MC4-zu-XT-90-Kabel mit dem Akku verbunden ist. Dies ermöglicht Ihnen, den Akku „aufzuwecken“, selbst wenn er vollständig erschöpft ist, solange noch etwas Strom vom Solarmodul kommt.

Wenn der Akku vollständig erschöpft ist, befolgen Sie bitte die nachstehenden Schritte zum Reaktivieren.

Wenn Eingangsleistung verfügbar ist, drücken Sie die Ein/Aus-Taste am Akku zum Starten der Aufladung 1 Sekunde lang.

Wenn keine Eingangsleistung verfügbar ist, müssen Sie den Akku zunächst mit Netzstrom versorgen.

- Zum Schutz des Akkus wird der AB1000 oder AB2000 werksseitig ausgeschaltet, sodass Sie den Akku daher bitte durch erstmaliges Einschalten von SolarFlow aktivieren müssen (halten Sie die IoT-Taste 2 Sekunden lang gedrückt).
- Schalten Sie SolarFlow vor Trennung einer Verbindung bitte aus.

Betriebsleitlinien:

Tipps:

Der Betriebsablauf von SolarFlow ist wie folgt:

Zunächst schaltet sich der Hub 2000 ein und wechselt in den Betriebszustand (Hub 2000-Anzeige leuchtet grün), anschließend wird die IoT-Anzeige aktiviert und das Gerät wechselt direkt den WLAN-Verbindungsstatus (IoT-Anzeige blinkt grün), abschließend sendet der Hub 2000 ein Signal zur Aktivierung des AB1000 oder AB2000 (AB1000- oder AB2000-Anzeige blinkt vor dem Wechsel in einen stabilen Zustand 2 Sekunden lang grün).

Wenn Sie eine SuperBase V oder einen Satellitenakku nutzen, befolgen Sie bitte die nachstehenden Schritte zum Hochfahren Ihres Hub 2000 und zur Herstellung der IoT-Verbindung.

- 1) Halten Sie die Ein/Aus-Taste der SuperBase V oder des Satellitenakkus 1 Sekunde lang gedrückt, um das Gerät einzuschalten.
- 2) Öffnen Sie die Zendure-App und halten Sie dann die IoT-Taste Ihrer SuperBase V oder des Satellitenakkus 3 Sekunden lang gedrückt.
- 3) Schalten Sie in der App den Parallel-Schalter ein, damit der Hub 2000 mit Strom versorgt wird.
- 4) Halten Sie die IoT-Taste Ihres Hub 2000 zum Abschließen der Verbindung 3 Sekunden lang gedrückt.

Betriebsleitlinien:

Element	Element	Anleitung	LED-Anzeige
Hub 2000	Schaltet sich ein	PV oder AB1000 oder AB2000 bzw. SuperBase V oder Satellitenakku verbinden	Hub 2000-Anzeige leuchtet grün
	Stromausfall	PV oder AB1000 oder AB2000 bzw. SuperBase V oder Satellitenakku trennen.	Alle Anzeige leuchten nicht
	IoT-Verbindung starten	Nach Einschalten des Hub 2000	IoT-Anzeige blinkt langsam grün
	IoT verbindet sich	Nach Einschalten des Hub 2000	IoT-Anzeigen blinken grün
	IoT-Verbindung ist hergestellt	/	IoT-Anzeige leuchtet grün
	IoT-Verbindung zurücksetzen	IoT-Taste 3 Sekunden lang gedrückt halten	IoT-Anzeigen blinken grün
	IoT ausschalten	IoT-Taste 1 Sekunde lang gedrückt halten	IoT-Anzeigen leuchten nicht
	IoT einschalten	IoT-Taste 1 Sekunde lang gedrückt halten	IoT-Anzeigen blinken grün
	Überspannungshinweis / Überstromhinweis / Kurzschlusshinweis / Fehlerhinweis	Stellen Sie die Benutzung sofort ein, prüfen Sie die detaillierten Fehlerinformationen in der Zendure-App und wenden Sie sich an den Kundendienst	Hub 2000-Anzeige blinkt rot
AB1000 oder AB2000 bzw. SuperBase V oder Satellitenakku	AB1000- oder AB2000-Verbindung	Nach Einschalten des Hub 2000	AB1000- oder AB2000-Anzeige blinkt 2 Sekunden lang grün und leuchtet dann konstant grün
	AB1000 oder AB2000 bzw. SuperBase V oder Satellitenakku wird aufgeladen	/	1) AB1000- oder AB2000-Anzeige blinkt grün. 2) SuperBase V zeigt Eingangsleistung am Bildschirm. 3) Die Ein/Aus-Taste des Satellitenakkus blinkt.
	Restkapazität des AB1000 oder AB2000 bzw. der SuperBase V oder des Satellitenakkus	Anzeige in Zendure-App, Zendure-App herunterladen und SolarFlow einbinden SuperBase V und Satellitenakkus werden ebenfalls auf dem Display angezeigt.	/
	Hinweis über geringe Leistung	Anzeige in Zendure-App, Zendure-App herunterladen und SolarFlow binden	AB1000 oder AB2000: Anzeige wird rot. SuperBase V oder Satellitenakku: Betriebsring oder Betriebsanzeige blinkt 30 Sekunden, wenn der Ladezustand (SoC) gering ist (10 bis 20 %). Zudem wird 5-mal ein Signalton ausgegeben, wenn der SoC auf 5 % sinkt.
	Warnung bei geringer Temperatur	Warten auf Normalisierung der Temperatur vor der Benutzung	1) AB1000- oder AB2000-Anzeige leuchtet rot. 2) SuperBase V oder Satellitenakku: Warnung bei niedriger oder hoher Temperatur blinkt am Bildschirm.
	Warnung bei hoher Temperatur		
Überspannungshinweis / Überstromhinweis / Kurzschlusshinweis / Fehlerhinweis	Stellen Sie die Benutzung sofort ein, prüfen Sie die detaillierten Fehlerinformationen in der Zendure-App und wenden Sie sich an den Kundendienst	AB1000 oder AB2000: Anzeige wird rot. SuperBase V: Akkufehler und Fehlercode blinken am Display. Satellitenakku: Statusanzeige leuchtet auf.	

Element	Anleitung	LED-Anzeige
SolarFlow einschalten	Handelt es sich beim Akku um den AB1000 oder AB2000, halten Sie die IoT-Taste zum Einschalten 2 Sekunden lang gedrückt. Handelt es sich beim Akku um eine SuperBase V oder einen Satellitenakku, halten Sie die Ein/Aus-Taste zum Einschalten der SuperBase V oder des Satellitenakkus 1 Sekunde lang gedrückt, öffnen Sie die Zendure-App und halten Sie dann die IoT-Taste der SuperBase V oder des Satellitenakkus 3 Sekunden lang gedrückt. Schalten Sie anschließend mit der App den Parallelschalter ein, damit der Hub 2000 mit Strom versorgt wird.	<ul style="list-style-type: none"> • Hub 2000-Anzeige leuchtet grün • IoT-Anzeigen blinken grün • AB1000- oder AB2000-Anzeige blinkt 2 Sekunden lang grün und leuchtet dann konstant grün
SolarFlow ausschalten	Halten Sie die IoT-Taste zum Ausschalten von SolarFlow 6 Sekunden lang gedrückt. Wenn ihr System über eine SuperBase V oder einen Satellitenakku verfügt und das Gerät weiterhin läuft, halten Sie seine Ein/Aus-Taste zum Ausschalten 3 Sekunden lang gedrückt.	Alle Anzeige leuchten nicht
Zurücksetzen der Hardware des Hub 2000 & des AB1000 oder AB2000 bzw. der SuperBase V oder des Satellitenakkus	IoT-Taste 10 Sekunde gedrückt halten	/
OTA-Nutzung des Hub 2000 & des AB1000 oder AB2000 bzw. der SuperBase V oder des Satellitenakkus	Für OTA-Nutzung Zendure-App herunterladen	/

Tipps:

- Wählen Sie Bluetooth oder WLAN in der Zendure-App; WLAN wird empfohlen.
- Wenn Ihr Hub 2000 mit einer SuperBase V oder einem Satellitenakku verbunden ist und der Solareingang mit Strom versorgt wird, schaltet sich Ihr Hub 2000 automatisch ein. Wenn nicht innerhalb von 5 Minuten ein Akku angeschlossen wird, wechselt Hub 2000 zunächst in den Bypass-Modus und leitet die Leistung zum Mikro-Inverter (bei einem Standardausgang von 200 W, festgelegt in der Zendure-App). Wenn jedoch innerhalb dieses 5-Minuten-Zeitfensters eine SuperBase V oder ein Satellitenakku angeschlossen wird, setzt SolarFlow den Betrieb in seinem Standardmodus fort.

Wenn Ihr Hub 2000 mit einer SuperBase V oder einem Satellitenakku verbunden ist und nach der Abschaltung weiterhin Solarstrom empfängt, schaltet er sich nach 10 Minuten automatisch wieder ein und arbeitet im Bypass-Modus, wobei er eine Leistung von standardmäßigen 200 W zum Mikro-Inverter leitet (festgelegt in der Zendure-App).

Wenn die WLAN-Verbindung Ihres Hub 2000 während des Empfangs von Solarstrom unterbrochen wird, wechselt er automatisch in den Bypass-Modus und gibt bei standardmäßig 200 W Strom an den Mikrowechselrichter aus (festgelegt durch die Zendure-App).

5.3 Installation

- Wenn Sie Ihr Solarsystem sofort verifizieren und bereitstellen möchten, schließen Sie die Installation bei sonnigem Wetter ab.
- Die Installation sollte von mindestens zwei Personen ausgeführt werden.
- Achten Sie bei Verbindung oder Trennung des Hub 2000 mit/von AB1000 oder AB2000 bzw. der SuperBase V oder dem Satellitenakku, den Solarmodulen oder den Mikro-Invertern bitte immer darauf, dass SolarFlow wie folgt ausgeschaltet wurde.
- Halten Sie die IoT-Taste 6 Sekunden lang gedrückt, um SolarFlow auszuschalten.
Handelt es sich beim Akku um die SuperBase V/ den Satellitenakku und ist das Gerät weiterhin in Betrieb, halten Sie seine Ein/Aus-Taste 3 Sekunden lang gedrückt, um es auszuschalten.

5.3.1 Installationsschritte im Überblick

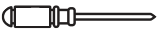
- A. Solarmodul, Mikro-Inverter und häusliches Stromnetz trennen
- B. Hub 2000 installieren
- C. Intelligenten Mikro-Inverter installieren
- D. Stelle zum Aufstapeln des AB1000 oder AB2000 bzw. der SuperBase V oder des Satellitenakkus finden.
- E. AB1000 oder AB2000 bzw. SuperBase V oder Satellitenakku an oberster Stelle mit dem Hub 2000 verbinden
- F. Mikro-Inverter an das heimische Stromnetz anschließen
- G. Solarmodule mit dem Hub 2000 verbinden
- H. Scannen Sie den QR-Code und laden Sie die Zendure-App herunter. Befolgen Sie die Anweisungen der App zum Einrichten des Gerätes. Nach 20 Minuten erhalten Sie die Daten des SolarFlow-Stromspeichersystems an Ihrer Zendure-App.

Tipps:

Entsprechend den staatlichen Richtlinien und zur Gewährleistung der Sicherheit kann der Mikro-Inverter erst in Betrieb genommen werden, nachdem er 5 Minuten an das Stromnetz angeschlossen war. Zur Verbesserung der Datengenauigkeit verifiziert und validiert das System dies 15 Minuten vor Anzeige in der App.

5.3.2 Installationswerkzeuge

Bitte prüfen Sie vor der Installation sämtliches Zubehör und halten Sie folgende Werkzeuge bereit (Werkzeuge sind nicht im Lieferumfang enthalten).



Philips-Schraubendreher



Sechskantschlüssel



Arbeitshandschuhe



Bohrmaschine



Markierstift

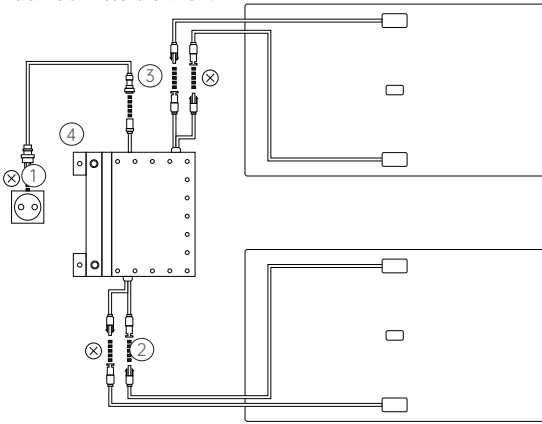


Maßband

5.3.3 Trennung

Tipps: Halten Sie sich bei der Demontage an die Anweisungen in der Anleitung des Mikro-Inverters und lesen Sie bitte die Garantiebedingungen des Mikro-Inverters, bevor Sie ihn demontieren.

Wenn Sie das Balkon-Solarsystem installiert haben, müssen Sie es anhand der folgenden Schritte trennen:



① Trennen Sie die Kabel des Mikro-Inverters und des häuslichen Stromnetzes.

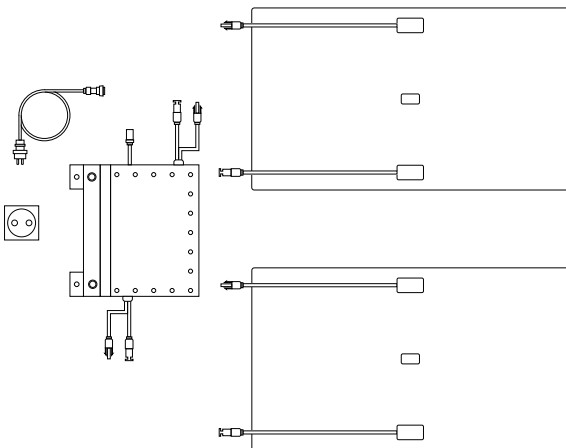
② Trennen Sie nur die Kabel des ersten Solarmoduls und des Mikro-Inverters.

Tipps: Die Installationsstelle des Solarmoduls muss nur verlegt werden, wenn Sie den Position ändern möchten..

③ Trennen Sie auf gleiche Weise die Kabel des zweiten Solarmoduls und des Mikro-Inverters.

④ Lösen Sie die Montageschrauben des Mikro-Inverters, entfernen Sie den am Solarmodul oder an der Metallhalterung befestigten Mikro-Inverter.

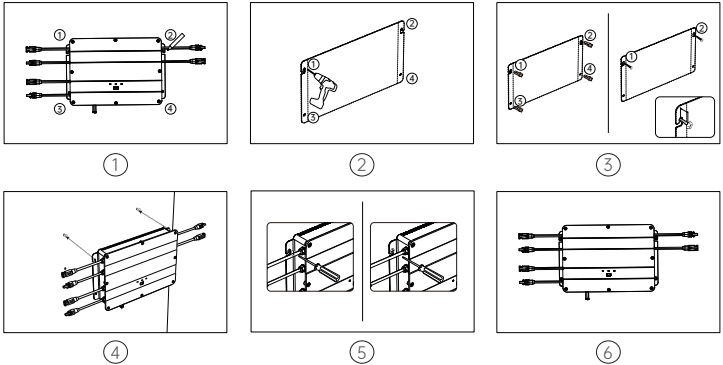
Tipps: Achten Sie darauf, dass nach der Trennung nachstehend abgebildeter Zustand vorliegt.



5.3.4 Hub 2000 installieren

Tipps:

- Installieren Sie den Hub 2000 bitte an einer Stelle, die keinem direkten Sonnenlicht ausgesetzt ist.
- Unsere Solarkabel (müssen separat erworben werden) sind 3 Meter lang, sodass Sie vor der Festlegung des Installationsorts für den Hub 2000 den Abstand vom MC4-Steckverbinder des Solarmoduls zum MC4-Steckverbinder des Hub 2000 messen müssen.
- Am Hub 2000 ist keine WLAN-Antenne installiert. Installieren Sie die WLAN-Antenne bitte am Smart PVHub, bevor Sie ihn an der Wand befestigen.

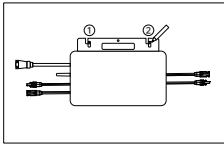


- ① Standort markieren: Entscheiden Sie, an welcher Wand das Gerät installiert werden soll, wobei eine Person den Hub 2000 mit beiden Händen an der Wand festhält und die andere Person die Positionen der vier Schraubenlöcher des Hub 2000 mit einem Markierstift markiert.
- ② Bohren: Bohren Sie vier Montagelöcher mit einem Durchmesser von 8 mm an den vier markierten Positionen.
- ③ Schrauben installieren: Stecken Sie zunächst die gelben Kunststoffdübel in die 4 Löcher, die in Schritt 3 gebohrt wurden, und drehen Sie dann die Schrauben ① und ② zu 2/3 in die gelben Kunststoffdübel hinein.
- ④ Hub 2000 aufhängen: Hängen Sie den Hub 2000 bitte am bloß liegenden Teil der Schrauben ① und ② ein.
- ⑤ Eine Person hält den Hub 2000 mit beiden Händen fest, während die andere Person die Schrauben ① und ② ganz in die Wand hineindreht.
- ⑥ Die anderen zwei Schrauben installieren: Drehen Sie die Schrauben 3 und 4 über die gelben Kunststoffdübel ganz in die Wand hinein. Damit ist die Installation des Hub 2000 abgeschlossen.

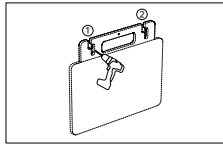
5.3.5 Mikro-Inverter installieren

Tipps: Halten Sie sich bei der Montage an die Anweisungen in der Anleitung des Mikro-Inverters.

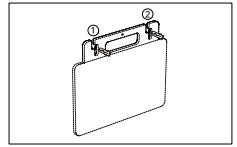
- Zur Reduzierung der Anzahl an Verbindungen sollten Sie den Mikro-Inverter zwischen dem Hub 2000 und der häuslicher Steckdose möglichst nahe am PV installieren.
- Achten Sie darauf, dass der Abstand zwischen dem Hub 2000 und dem Mikro-Inverter mindestens 50 mm beträgt, damit Wärme richtig abgeleitet werden kann.



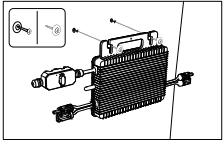
①



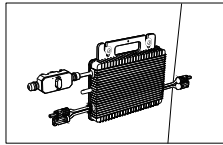
②



③



④

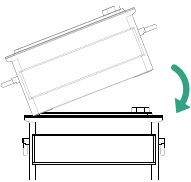


⑤

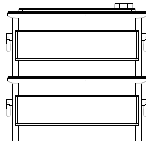
- ① Standort markieren: Legen Sie eine Position neben dem Hub 2000 fest, wobei eine Person den Mikro-Inverter mit beiden Händen an der Wand festhält und die andere Person die Positionen der zwei Schraubenlöcher des Mikro-Inverters mit einem Markierstift markiert.
- ② Bohren: Bohren Sie zwei Montagelöcher mit einem Durchmesser von 8 mm an den zwei markierten Positionen.
- ③ Gelbe Kunststoffdübel installieren: Installieren Sie die gelben Kunststoffdübel jeweils in den beiden Löchern, die Sie in Schritt gebohrt haben.
- ④ Mikro-Inverter installieren: Eine Person hält den Mikro-Inverter mit beiden Händen an der Wand fest und richtet ihn mit den in Schritt 2 gebohrten Löchern aus. Dann werden flache Unterlegscheiben auf die Schrauben gelegt und die Schrauben ① und ② zusammen mit den flachen Unterlegscheiben in die gelben Kunststoffdübel hineingedreht.
- ⑤ Schrauben festziehen: Drehen Sie die Schrauben ① und ② vollständig in die Wand hinein. Damit ist auch die Installation des Mikro-Inverters abgeschlossen.

5.3.6 AB1000 oder AB2000 stapeln

Beachten Sie den Hinweis oben auf dem AB1000 oder dem AB2000, bevor Sie den AB1000 oder den AB2000 stapeln..



①



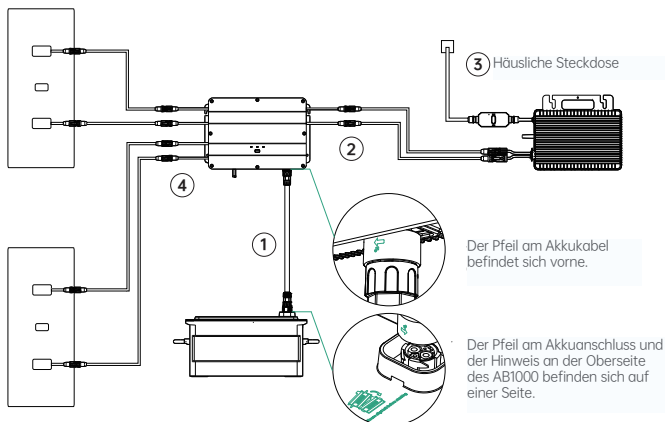
②

- ① Entfernen Sie die Kunststoff-Schutzkappen vom Anschluss und richten Sie dann zunächst die linke Seite aus.
 - ② Schieben Sie den Akkuanschluss vorsichtig hinein.
- Tipps: Der Hub 2000 kann nur mit einer SuperBase V ohne Satellitenakku bzw. nur mit einem Satellitenakku ohne SuperBase V verbunden werden. Mehrere Akkus werden nicht unterstützt.

5.3.7 Kabel anschließen

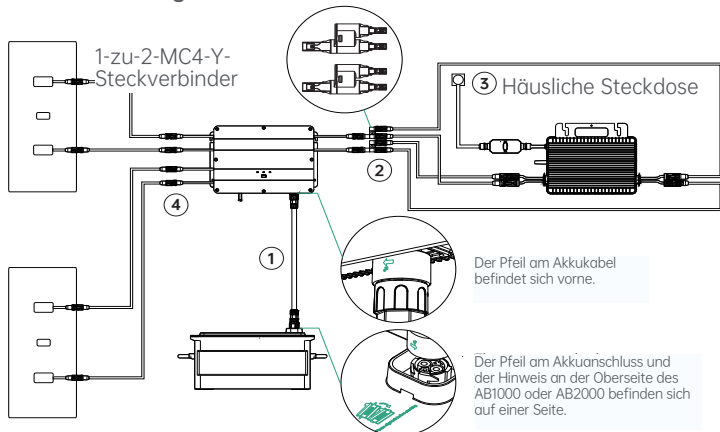
Tipps: Achten Sie vor dem Anschluss der Kabel bitte darauf, dass das Gerät ausgeschaltet ist. Halten Sie die IoT-Taste 6 Sekunden lang gedrückt, um SolarFlow auszuschalten. Handelt es sich beim Akku um die SuperBase V/ den Satellitenakku und ist das Gerät weiterhin in Betrieb, halten Sie seine Ein/Aus-Taste 3 Sekunden lang gedrückt, um es auszuschalten.

Kabelverbindung für 1-in-1-Mikro-Inverter

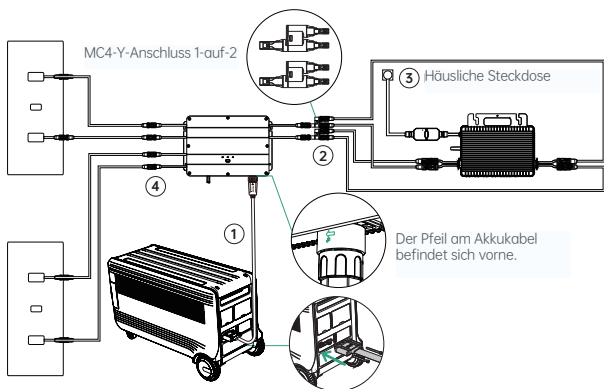


- ① Verbinden Sie den AB1000 oder AB2000 bzw. die SuperBase V oder den Satellitenakku über das Akkukabel mit dem Hub 2000. Die Anschlussklemmen des Akkukabels schließen sich von selbst, sodass das Akkukabel sachgemäß angeschlossen ist, sobald Sie einen Klickton hören. (Achten Sie darauf, die Schrauben des Steckverbinders für eine sichere Verbindung mit Ihrer SuperBase V oder dem Satellitenakku festzuziehen.)
- ② Verbinden Sie Hub 2000 über das Mikro-Inverter-Kabel mit dem Mikro-Inverter.
- ③ Verbinden Sie den Mikro-Inverter mit Ihrem originalen Kabel mit einer häuslichen Steckdose.
- ④ Verbinden Sie das Solarmodul mit dem Hub 2000.
Tipps: Sie müssen als Erstes den AB1000, den AB2000 bzw. die SuperBase V oder den Satellitenakku mit den Solarmodulen verbinden.

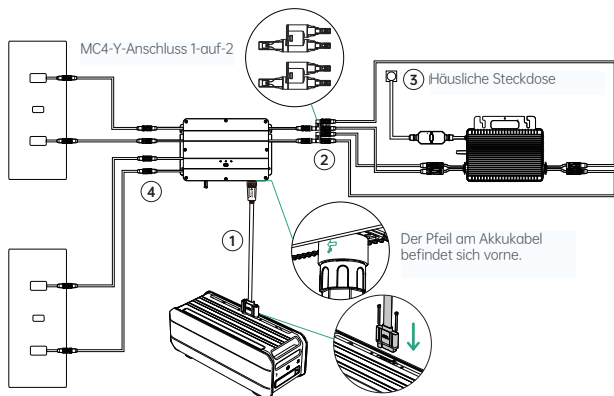
Kabelverbindung für 2-in-1-Mikro-Inverter



Kabelverbindung für SuperBase V



Kabelverbindung für Satellitenakku



- ① Verbinden Sie den AB1000 oder AB2000 bzw. die SuperBase V oder den Satellitenakku über das Akkukabel mit dem Hub 2000. Die Anschlussklemmen des Akkukabels schließen sich von selbst, sodass das Akkukabel sachgemäß angeschlossen ist, sobald Sie einen Klickton hören. (Sie müssen die Schrauben des Steckverbinders für eine sichere Verbindung mit Ihrer SuperBase V oder dem Satellitenakku festziehen.)
- ② Hub 2000 mit Mikro-Inverter verbinden: Schließen Sie als Erstes den „1-zu-2-MC4-Steckverbinder“ an den Hub 2000 und dann an den Mikro-Inverter an.
- ③ Mikro-Inverter-Kabel und weitere 2 MC4-Erweiterungskabel.
- ④ Schließen Sie den Mikro-Inverter über Ihr originales Kabel an die häusliche Steckdose an. Verbinden Sie das Solarmodul mit dem Hub 2000.

Tipps:

- Sie müssen als Erstes den AB1000, den AB2000 bzw. die SuperBase V oder den Satellitenakku mit den Solarmodulen verbinden.
- Nach Fertigstellung der Verbindung SolarFlow bitte einschalten:
 - 1) Handelt es sich beim Akku um den AB1000 oder den AB2000, halten Sie zum Einschalten die IoT-Taste 2 Sekunden lang gedrückt.
 - 2) Handelt es sich beim Akku um die SuperBase V oder den Satellitenakku, schalten Sie den Akku ein, indem Sie die Ein/Aus-Taste 1 Sekunde lang gedrückt halten, öffnen Sie dann die App und halten Sie die IoT-Taste des Akkus 3 Sekunden lang gedrückt, um eine Kopplung herzustellen, und schalten Sie abschließend den Parallel-Schalter ein, um den Hub 2000 mit Strom zu versorgen.

5.3.8 Zendure-App herunterladen

Die Zendure-App ermöglicht Nutzern die Zuteilung von Strom zum AB1000 oder AB2000 bzw. zur SuperBase V oder zum Satellitenakku und dem häuslichen Stromnetz sowie die Überwachung der Stromerzeugung. Die Leistung zum Mikro-Inverter kann in einem Bereich von 100 bis 1200 Watt eingestellt werden. Lesen Sie die Bedienungsanleitung der Zendure-App und rufen Sie den hier aufgeführten Download-Link auf: <https://zendure.com/pages/download-center>.



Datenschutzerklärung

Durch die Verwendung von Produkten, Anwendungen und Diensten von Zendure stimmen Sie den Nutzungsbedingungen und der Datenschutzerklärung von Zendure zu, auf die Sie über den „Info“-Abschnitt der „Nutzer-Seite in der Zendure-App zugreifen können.

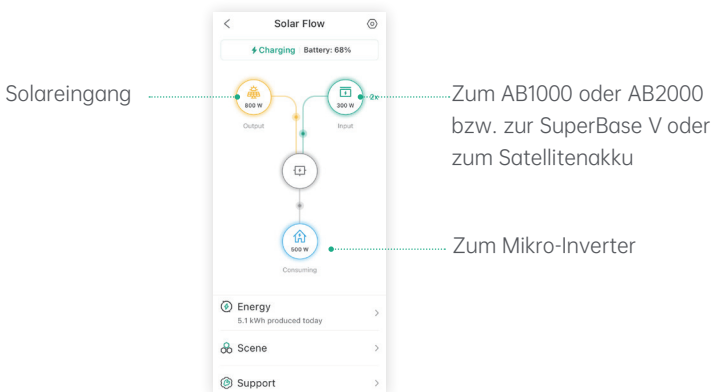
* Gerät hinzufügen und auf die neueste Firmware-Version aktualisieren

Bei erstmaliger Verwendung des Gerätes müssen Sie die Firmware über die Zendure-App aktualisieren. Weitere Informationen finden Sie in der Bedienungsanleitung der Zendure-App.

* Leistung zum Mikro-Inverter einstellen

Die maximale Solar-Eingangsleistung des SolarFlow-Systems beträgt 800 Watt, wobei Sie die Leistung zum Mikro-Inverter einstellen und überschüssige Leistung automatisch im Akku speichern können. Beispiel:

Wenn die gesamte Eingangsleistung des Solarstroms 800 Watt beträgt und Sie 200 Watt dem Mikro-Inverter zuteilen, werden 600 Watt in den AB1000 oder AB2000 bzw. die SuperBase V oder den Satellitenakku eingespeist.



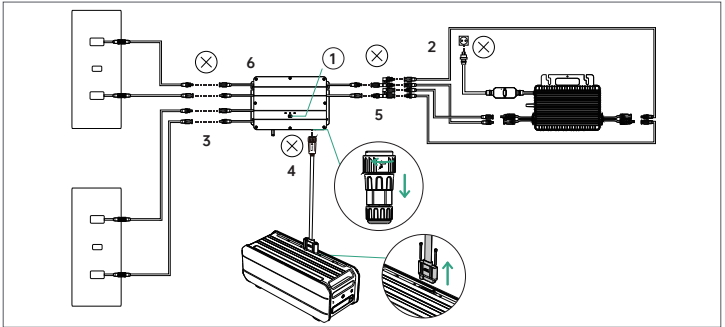
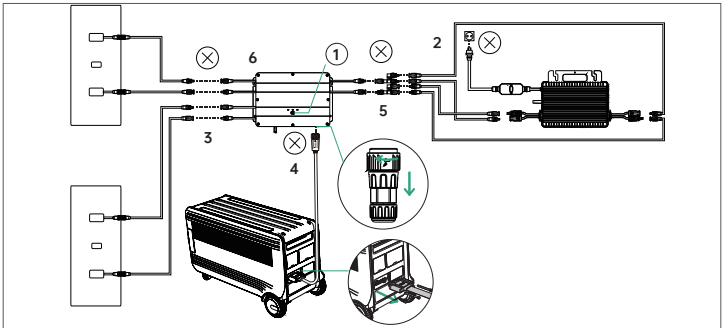
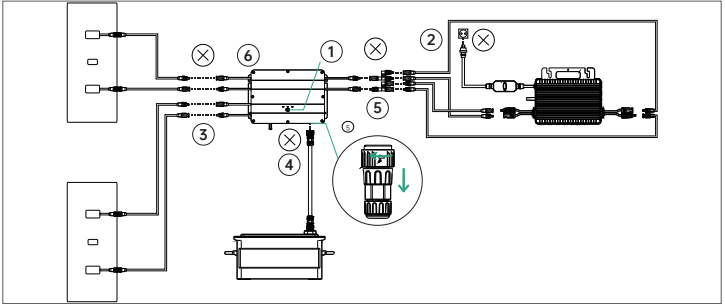
Tipps:

- Es dauert einige Zeit, bis das System eine Verbindung zum Stromnetz hergestellt hat, wobei die Synchronisierung der Daten mit der Zendure-App etwa 20 Minuten dauert, sodass Sie nach der Installation bitte 20 Minuten warten müssen, bevor Sie die App-Einstellungen aufrufen.
 - Es wird empfohlen, tagsüber möglichst viel Strom im Akku zu speichern, abgesehen vom grundlegenden Stromverbrauch. Auf diese Weise bringen Sie den grundlegenden Stromverbrauch in Erfahrung:
1. Berechnen Sie den Verbrauch, der dauerhaft während eines Tages (24 Stunden) betriebenen Geräte, wozu Kühlschränke, Router und Standby-Geräte gehören.
 2. Gehen Sie direkt vor dem Zubettgehen zum Stromzähler und notieren Sie Ihren aktuellen Zählerwert sowie die Uhrzeit. Notieren Sie unmittelbar nach dem Aufstehen den Zählerwert und die Uhrzeit. Sie können Ihre Grundlast aus dem Verbrauch und der verstrichenen Zeit berechnen.
 3. Zwischen Steckdose und Verbraucher können Sie eine Messsteckdose anschließen. Zur Berechnung der Grundlast können Sie den Verbrauch aller ständig laufenden Geräte (inklusive Bereitschaftsmodus) sammeln und summieren.

5.3.9 SolarFlow trennen

Tipps:

Schalten Sie SolarFlow vor Trennung der Verbindung bitte aus. Halten Sie die IoT-Taste 6 Sekunden lang gedrückt, um SolarFlow auszuschalten. Handelt es sich beim Akku um die SuperBase V / den Satellitenakku und ist das Gerät weiterhin in Betrieb, halten Sie seine Ein/Aus-Taste 3 Sekunden lang gedrückt, um es auszuschalten.



- ① SolarFlow erst ausschalten. Halten Sie die IoT-Taste 6 Sekunden lang gedrückt, um SolarFlow auszuschalten. Handelt es sich beim Akku um die SuperBase V / den Satellitenakku und ist das Gerät weiterhin in Betrieb, halten Sie seine Ein/Aus-Taste 6 Sekunden lang gedrückt, um es auszuschalten.
- ② Trennung von der häuslichen Stromversorgung: Ziehen Sie die Kabel zum Mikro-Inverter und zur Schuko-Steckdose heraus.
- ③ Trennung der Solarmodule: Ziehen Sie die Kabel zu den beiden Solarmodulen und zum Hub 2000 heraus.
- ④ Trennung des AB1000 oder AB2000 bzw. der SuperBase V oder des Satellitenakkus: Ziehen Sie die Kabel zum Hub 2000 und zum AB1000 oder AB2000 bzw. zur SuperBase V oder zum Satellitenakku heraus.
- ⑤ Trennung des Mikro-Inverters: Ziehen Sie die Kabel zum Mikro-Inverter und zum Hub 2000 heraus.
- ⑥ Lösen Sie die Montageschrauben des Hub 2000 und des Mikro-Inverters und nehmen Sie den Hub 2000 und den Mikro-Inverter von der Wand ab.

Tipps: Achten Sie während der Demontage bitte darauf, alle Teile für eine neuerliche Installation gut aufzubewahren.

Kontakt

Falls Sie Fragen haben, wenden Sie sich bitte über eine der nachstehenden Methoden an uns.

E-Mail:

support@zendure.com
support-eu@zendure.com

Hotline (USA):

+1(800)991- 6148, Montag bis Freitag, 7:00 bis 16:00 Uhr Pazifische Zeit (ausgenommen öffentliche Feiertage)

Hotline (EU):

+49-800-627-3067 (Montag bis Freitag, 9:00 bis 18:00 Uhr, öffentliche Feiertage ausgenommen)

Kundendienst-Website:

USA: Support.zendure.com
Deutschland: Support.zendure.com/portal/de

So nehmen Sie Ihre Garantie in Anspruch

Bitte senden Sie eine E-Mail mit den folgenden Informationen an die E-Mail-Adresse unseres Kundendienstes:

1. Bestellnummer und Kaufbeleg.
2. Seriennummer.
3. Video oder Foto des Defekts oder Schadens am Produkt.
4. Möglichkeit zur Kontaktaufnahme: Telefon/E-Mail.



Lieber Zendure-Kunde, bitte scannen Sie für aktuellste Informationen zu Existenz, Gültigkeit und Ablauf der Garantie den QR-Code.

CLAUSE DE NON RESPONSABILITÉ

Lisez attentivement toutes les consignes de sécurité, les avertissements et autres informations relatives au produit dans le présent manuel, et lisez toutes les étiquettes et autocollants apposés sur le produit avant de l'utiliser. Les utilisateurs assument l'entière responsabilité quant à l'utilisation et au fonctionnement en toute sécurité de ce produit. Familiarisez-vous avec les réglementations en vigueur dans votre région. Vous êtes seul responsable de vous tenir informé de toutes les réglementations applicables et d'utiliser les produits Zendure d'une façon conforme.

Conservez ce manuel pour référence future.

SOMMAIRE

1. Avant de commencer	37
2. Spécifications	37
3. INSTRUCTIONS RELATIVES À LA SÉCURITÉ	39
3.1 Utilisation.....	39
3.2 DÉCLARATION de la FCC	40
3.3 DÉCLARATION DE CONFORMITÉ CE	40
4. Conseils importants	41
5. Démarrage	42
5.1 Que contient la boîte	42
5.2 Présentation du produit.....	42
5.3 Installation.....	46
5.3.1 Présentation des étapes d'installation	46
5.3.2 Outils d'installation	46
5.3.3 Déconnexion.....	46
5.3.4 Installer Hub 2000	48
5.3.5 Installer le micro-onduleur Microinverter.....	48
5.3.6 Empilement d'AB1000 ou AB2000.....	49
5.3.7 Connecter avec des câbles	50
5.3.8 Télécharger l'appli Zendure.....	52
5.3.9 Déconnexion de SolarFlow	53

1. Avant de commencer

Les informations contenues ici sont sujettes à modification sans préavis.

Pour la dernière version, veuillez consulter :

<https://zendure.com/pages/download-center>.

2. Spécifications

Le système SolarFlow comprend un Hub 2000 et une batterie supplémentaire AB1000 ou AB2000 ou une batterie SuperBase V ou Satellite. SolarFlow et Microinverter constituent un petit système de stockage d'énergie photovoltaïque connecté au réseau, visant à aider les utilisateurs à réduire leurs factures d'électricité.

Ce produit ne peut pas être utilisé durant les pannes de courant.

Nom	Hub 2000
Modèle	ZDHUB2000
Poids	≈ 5,2 kg
Dimensions (L* *H)	363 × 246 × 64 mm
Type sans-fil	Bluetooth, Wifi 2,4 Ghz et 5 GHz
Classe IP	IP65
Garantie	10 ans
Entrée photovoltaïque (PV)	
Alimentation recommandée en entrée	1200 W chacun
Tension CC d'entrée maximale	60 V
Plage de tension MPPT	16-60 V
Plage de tension pleine puissance MPPT	35-60V
Tension CC d'entrée minimale	16 V
Courant d'entrée maxi	2*26 A
Nombre de MPPT	2
Sortie vers Microinverter	
Puissance recommandée du Microinverter	400-1200 W
Puissance nominale en sortie	1200 W
Puissance de sortie maxi du Microinverter	1200 W
Courant nominal en sortie	30 A
Plage de tension nominale	16-60 V
Efficacité	
Efficacité en sortie	98 %
Efficacité du suivi MPPT	99 %
Température de fonctionnement (° C)	-20-45° C
Entrée de AB2000	
Puissance d'entrée maxi	1200 W
Courant d'entrée maxi	25 A
Tension nominale	48 V
Sortie vers AB2000	
Puissance d'entrée maxi	1200 W / 1800 W (≥2*AB2000)
Courant d'entrée maxi	25 A / 37,5 A (≥2*AB2000)
Plage de tension	42-54,75 V
Entrée de AB1000	
Puissance d'entrée maxi	1200 W
Courant d'entrée maxi	25 A
Tension nominale	48 V
Sortie vers AB1000	
Puissance d'entrée maxi	800 W
Courant d'entrée maxi	16,6 A
Plage de tension	42-54,75 V
Entrée de la batterie SuperBase V ou Satellite	

Puissance d'entrée maxi	1200 W
Courant d'entrée maxi	25 A
Plage de tension	45-58,4 V
Sortie Batterie SuperBase V ou satellite	
Puissance d'entrée maxi	1800 W
Courant d'entrée maxi	37,5 A
Tension nominale	45-58,4 V

Le contrôleur Hub 2000 n'inclut aucune batterie et la batterie doit être achetée séparément. Pour plus d'informations sur la batterie AB1000 ou AB2000 ou sur la batterie SuperBase V ou Satellite, veuillez consulter le manuel d'utilisation de l'AB1000 ou AB2000 ou de la batterie SuperBase V ou Satellite.

3. INSTRUCTIONS RELATIVES À LA SÉCURITÉ

3.1 Utilisation

1. Veuillez vérifier que SolarFlow n'est pas endommagé, fissuré, qu'il ne présente aucune fuite de liquide, ni chaleur ou autres anomalies, et que les câbles ne sont pas endommagés avant de l'utiliser. Le cas échéant, veuillez cesser immédiatement d'utiliser le produit et contacter notre service client.
2. Maintenez une distance de 50 mm entre le Hub 2000 et les autres objets.
3. Pendant le fonctionnement du système d'énergie solaire, évitez la lumière directe du soleil pour éviter toute surchauffe du système SolarFlow. Ne placez pas le SolarFlow à proximité d'une source de chaleur.
4. Ne pas utiliser à proximité d'électricité statique ou de champs magnétiques puissants.
5. Il est interdit de placer l'équipement dans un environnement contenant des gaz inflammables ou explosifs, ou de la fumée. Étant donné que SolarFlow s'appuie sur la coque afin de dissiper la chaleur, une surchauffe de la coque va entraîner des dommages.
6. N'essayez pas de faire remplacer les composants internes de l'équipement par du personnel non autorisé.
7. Veuillez installer le produit conformément à notre manuel d'utilisation afin d'éviter d'endommager le produit et de blesser d'autres personnes.
8. Avant de terminer l'installation, assurez-vous que le câble solaire et le câble du Microinverter au réseau domestique sont déconnectés.
9. Assurez-vous que Hub 2000 et Microinverter sont fermement installés afin d'éviter les accidents et les dommages au produit que provoquerait une chute.
10. SolarFlow a une classe de protection IP65, le produit ne peut donc pas être immergé dans des liquides. Si le produit tombe accidentellement dans l'eau au cours de l'utilisation, placez-le dans un endroit sûr et ouvert et tenez-le à distance jusqu'à ce qu'il soit complètement sec. Le produit séché ne doit plus être utilisé et doit être correctement éliminé, conformément aux directives d'élimination du présent manuel.
11. Veuillez assurer une ventilation adéquate durant l'utilisation. Une ventilation inadéquate peut provoquer des dommages permanents aux équipements.
12. Ne rien placer sur le dessus de SolarFlow. Veuillez l'installer là où personne ne peut le toucher.
13. Ne pas déplacer ni secouer l'appareil durant son fonctionnement car les vibrations et les chocs soudains peuvent entraîner de mauvaises connexions au niveau matériel à l'intérieur.

14. En cas d'incendie, seul un extincteur à poudre sèche est adapté au produit.
15. Nettoyer les ports uniquement avec un chiffon sec.
16. Maintenir hors de portée des enfants et des animaux.
17. Pour des raisons de sécurité, veuillez utiliser uniquement le chargeur et les câbles d'origine conçus pour l'équipement. Nous ne sommes pas responsables des dommages causés par des équipements tiers et qui peuvent invalider votre garantie.

3.2 DÉCLARATION de la FCC

Cet appareil est conforme à la partie 15 de la réglementation FCC. Son fonctionnement est soumis aux deux conditions suivantes :

- (1) Cet appareil ne peut pas causer d'interférences nuisibles, et
- (2) Cet appareil doit accepter toutes les interférences reçues, y compris celles pouvant provoquer un fonctionnement indésirable.

Tous changements ou modifications non expressément approuvées par la partie responsable de la conformité peuvent annuler le droit pour l'utilisateur de faire fonctionner l'appareil.

REMARQUE :

Cet appareil a été testé et certifié conforme aux limites d'un appareil numérique de classe B, conformément à la partie 15 des règles de la FCC. Ces limites garantissent une protection suffisante contre les interférences dangereuses liées à l'utilisation de l'équipement dans un environnement résidentiel. Cet appareil génère, utilise et peut émettre de l'énergie de radiofréquence et, s'il n'est pas installé et utilisé en conformité avec les instructions, peut causer des interférences nuisibles avec les communications radio. Cependant, il n'y a aucune garantie que des interférences ne se produiront pas dans une installation particulière. Si cet appareil provoque des interférences nuisibles à la réception radio ou télévision, ce qui peut se déterminer en éteignant et en rallumant l'appareil, l'utilisateur est invité à essayer de corriger les interférences par l'une ou plusieurs des mesures suivantes :

Réorienter ou repositionner l'antenne de réception.

Augmenter la distance entre l'appareil et le récepteur.

Brancher l'appareil sur une prise d'un circuit différent de celui auquel le récepteur est connecté.

Consulter le revendeur ou un technicien radiotélévision expérimenté pour de l'aide.

Déclaration de la FCC relative à l'exposition aux radiations

Cet appareil est conforme aux limites d'exposition aux radiations de la FCC, définies pour un environnement non contrôlé. Cet appareil doit être installé et utilisé avec une distance minimale de 20cm entre l'émetteur et votre corps

3.3 DÉCLARATION DE CONFORMITÉ CE

ZENDURE TECHNOLOGY CO, LIMITED déclare que le produit SolarFlow (Hub 2000) est conforme aux directives 2014/53/EU (RED), 2011/65/EU (RoHS), 2015/863/EU (RoHS).

Le texte intégral de la déclaration de conformité est disponible à l'adresse Internet suivante : <https://zendure.de/pages/download-center>



Déclaration de conformité

La déclaration de conformité de l'UE peut être demandée à l'adresse : <https://zendure.de/pages/download-center>



Mise au rebut

Élimination de l'emballage Éliminer l'emballage séparément, par type.

Jeter le carton et le papier avec la collecte des papiers usagés. Feuilles pour la collecte de recyclage.



Éliminer l'équipement usagé (applicable dans l'Union européenne et d'autres pays européens avec une collecte séparée (collecte des déchets)) L'équipement usagé ne doit pas être jeté avec les déchets ménagers ! Chaque consommateur est légalement tenu de jeter les appareils usagés qui ne peuvent plus être utilisés séparément des déchets ménagers, par exemple dans un point de collecte des matières recyclables.

Pour assurer un recyclage approprié et éviter un impact négatif sur l'environnement, les appareils électroniques doivent être emmenés dans un point de collecte de la communauté ou du quartier. Pour cette raison, les appareils électroniques sont marqués du symbole indiqué ici.

4. Conseils importants



Le système solaire photovoltaïque est relié au réseau. Veuillez vérifier que cela est autorisé dans votre région. Selon la région, une approbation officielle peut être nécessaire avant ou après l'installation.



Le Hub 2000 et l'AB1000 doivent être protégés de la lumière directe du soleil afin d'éviter une augmentation rapide de la température.



Veuillez vérifier les accessoires avant l'installation. Certains accessoires doivent être achetés séparément.



Après l'installation, veuillez d'abord télécharger l'appli Zendure afin de contrôler l'électricité produite et de régler l'alimentation du micro-onduleur.



Après l'installation de SolarFlow, il faut environ 5 minutes avant qu'il puisse être connecté au réseau, et les données sont synchronisées avec l'appli Zendure dans les 20 minutes.










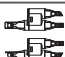
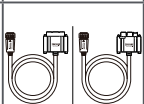
Avant de régler la sortie sur Microinverter, veuillez confirmer la puissance nominale de votre micro-onduleur, la sortie vers Microinverter ne doit pas être supérieure à la puissance nominale de votre micro-onduleur.



Veuillez éteindre l'appareil (maintenez le bouton IOT enfoncé pendant 6 secondes pour éteindre SolarFlow. Si la batterie est une batterie SuperBase V/Satellite et qu'elle fonctionne toujours, maintenez également son bouton d'alimentation enfoncé pendant 3 secondes pour l'éteindre.) afin de retirer ou d'installer la batterie.

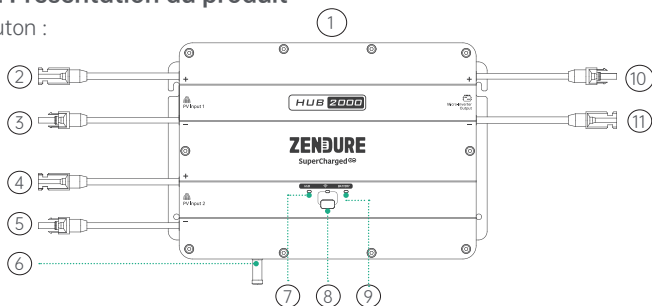
5. Démarrage

5.1 Que contient la boîte

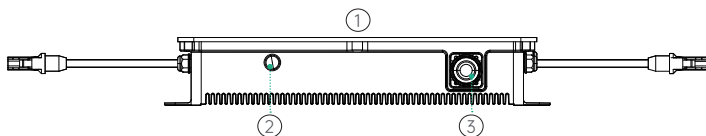
N°	Image	Nom	
1		Hub 2000	
2		4* câble Microinverter 0,6 m	Câble du micro-onduleur (Microinverter) : Utilisé pour le branchement du micro-onduleur.
3		Câble batterie 1,5 m	Câble de batterie : Utilisé pour le branchement de l'AB1000 ou AB2000.
4		Manuel de l'utilisateur	
5		6* vis de montage M4,7*39mm	Vis de montage : Raccordement de Hub 2000 et de Microinverter.
6		1* antenne	
7		2* rondelles plates	Rondelles plates : Utilisé pour réparer le Microinverter.
8		Un jeu de connecteurs en Y MC4 1 vers 2	
* 9		1* Câble Hub vers SBV ou câble hub vers batterie Satellite	* Câble de batterie : Câble hub vers SBV ou câble batterie hub vers satellite (non fourni). Cela sera nécessaire pour connecter le Hub 2000 à une batterie SuperBase V ou Satellite.

5.2 Présentation du produit

Bouton :



- ① DESSUS
- ② Électrode positive Entrée PV 1 Connecteur MC4
- ③ Électrode négative Entrée PV 1 Connecteur MC4
- ④ Électrode positive Entrée PV 2 Connecteur MC4
- ⑤ Électrode négative Entrée PV 2 Connecteur MC4
- ⑥ Antenne
- ⑦ Indicateur d'état Hub
- ⑧ Bouton et indicateur IoT
- ⑨ Indicateur d'état Batterie
- ⑩ Connecteur MC4 Microinverter Électrode positive de sortie
- ⑪ Connecteur MC4 Microinverter Électrode négative sortie



① Dessous ② Port antenne ③ Port batterie

Connexion IoT : Après la mise sous tension de Hub 2000, l'indicateur IoT commence à clignoter rapidement et l'appareil entre automatiquement en connexion IoT. Les utilisateurs peuvent se connecter directement à l'IoT sur l'appli Zendure.

Conseils :

- Une fois que l'appareil est lié aux applis Zendure, lorsque SolarFlow est rallumé, le voyant IoT clignote lentement jusqu'à ce qu'il puisse communiquer avec l'appli Zendure.
- Si vous souhaitez lier à nouveau le compte et réinitialiser la connexion IoT, veuillez maintenir le bouton IoT enfoncé pendant 3 secondes afin de démarrer la connexion IoT.
- Hub 2000 et AB1000 ou AB2000 ou batterie SuperBase V ou Satellite Réinitialisation matérielle : maintenez enfoncé le bouton IoT pendant 10 secondes pour réinitialiser Hub 2000 et AB1000 ou AB2000 ou la batterie SuperBase V ou Satellite.

Conseils :

- Les panneaux solaires et l'alimentation par batterie AB1000 ou AB2000 ou SuperBase V ou Satellite peuvent réveiller le Hub 2000.
- Si le Hub 2000 est connecté à une batterie SuperBase V ou Satellite, il est recommandé d'inclure au moins un panneau solaire dans votre système, connecté à la batterie à l'aide d'un câble MC4 vers XT-90. Cela permettra à la batterie de « se réveiller » même si elle est complètement déchargée, tant qu'il y a de l'énergie provenant du panneau solaire.

Si la batterie est complètement déchargée, veuillez suivre les étapes ci-dessous pour la réactiver.

Si une alimentation d'entrée est disponible, appuyez sur le bouton d'alimentation pendant 1 seconde sur la batterie pour lancer la recharge.

Si aucune alimentation d'entrée n'est disponible, vous devez d'abord alimenter la batterie en courant secteur.

- Pour protéger la batterie, AB1000 ou AB2000 est éteinte en usine; veuillez donc activer la batterie en allumant SolarFlow pour la première fois (maintenez enfoncé le bouton IoT pendant 2 secondes).
- Avant de débrancher une connexion, veuillez éteindre SolarFlow.

Consignes d'utilisation :

Conseils :

Le processus de fonctionnement de SolarFlow est le suivant :

Tout d'abord, le Hub 2000 est allumé, puis il passe à l'état de fonctionnement (l'indicateur Hub 2000 s'allume en vert). Puis la fonction IoT est réveillée et l'appareil passe directement à l'état de connexion Wifi (l'indicateur IoT clignote en vert), et enfin, le Hub 2000 envoie un signal pour activer AB1000 ou AB2000 (l'indicateur AB1000 ou AB2000 clignote en vert pendant 2 secondes avant de se stabiliser).

Si vous utilisez une batterie SuperBase V ou Satellite, veuillez suivre les étapes ci-dessous afin d'allumer votre Hub 2000 et d'établir la connexion IoT.

1) Maintenez enfoncé le bouton d'alimentation de la batterie SuperBase V ou Satellite pendant 1 seconde pour l'allumer.

2) Ouvrez l'appli Zendure, puis maintenez enfoncé le bouton IOT de votre batterie SuperBase V ou Satellite pendant 3 secondes.

3) Dans l'appli, allumez le commutateur parallèle pour alimenter le Hub 2000.

4) Maintenez enfoncé le bouton IOT de votre Hub 2000 pendant 3 secondes pour finir d'établir la connexion.

Consignes d'utilisation :

Élément	Élément	Comment	Indicateur LED
Hub 2000	Démarrage	Connectez PV ou AB1000 ou AB2000 ou la batterie SuperBase V ou Satellite	L'indicateur Hub 2000 s'allume en vert
	Panne de courant	Débranchez PV ou AB1000 ou AB2000 ou la batterie SuperBase V ou Satellite.	Aucun indicateur ne s'allume
	démarrer la connexion IoT	Après les mises sous tension du Hub 2000	L'indicateur IoT clignote lentement en vert
	Connexion IoT	Après les mises sous tension du Hub 2000	Les indicateurs IoT clignotent en vert
	Fin de la connexion IoT	/	L'indicateur IoT s'allume en vert
	Réinitialiser la connexion IoT	Maintenez le bouton IoT enfoncé pendant 3 secondes	Les indicateurs IoT clignotent en vert
	Éteindre l'IoT	Maintenez le bouton IoT enfoncé pendant 1 seconde	Les indicateurs IoT ne s'allument pas
	Activer l'IoT	Maintenez le bouton IoT enfoncé pendant 1 seconde	Les indicateurs IoT clignotent en vert
	rappel de surtension / rappel de surintensité / rappel de court-circuit / rappel d'erreur	Veillez immédiatement cesser d'utiliser, vérifier les informations d'erreur détaillées dans l'APPLI Zendure et contacter le service client.	L'indicateur Hub 2000 clignote en rouge
AB1000 ou AB2000 ou batterie SuperBase V ou Satellite	Connexion AB1000 ou AB2000	Après les mises sous tension du Hub 2000	L'indicateur AB1000 ou AB2000 clignote en vert pendant 2s puis reste allumé en vert
	Recharge de AB1000 ou AB2000 ou batterie SuperBase V ou Satellite	/	1) Le voyant AB1000 ou AB2000 clignote en vert. 2) SuperBase V affiche la puissance d'entrée sur l'écran. 3) Le bouton d'alimentation de la batterie Satellite clignote.
	Capacité restante de AB1000 ou AB2000 ou batterie SuperBase V ou Satellite	Afficher sur l'appli Zendure, télécharger l'appli Zendure et lier Solar Flow Les batteries SuperBase V et Satellite apparaissent également sur l'écran.	/
	rappel de faible puissance	Afficher sur l'appli Zendure, télécharger l'appli Zendure et lier Solar Flow	AB1000 ou AB2000 : Le voyant devient rouge. Batterie SuperBase V ou satellite : Sonnerie d'alimentation ou le voyant d'alimentation clignote pendant 30 secondes lorsque l'état de charge (SOC) est faible (10 % à 20 %). De plus, il émet 5 bips lorsque le SOC tombe à 5 %.
	Avertissement de température faible	Attente d'une température normale avant utilisation	1) Le voyant AB1000 ou AB2000 s'allume en rouge. 2) Batterie SuperBase V ou Satellite : Un avertissement de température faible ou élevée clignote sur l'écran.
	avertissement de température élevée		
	rappel de surtension / rappel de surintensité / rappel de court-circuit / rappel d'erreur	Veillez immédiatement cesser d'utiliser, vérifier les informations d'erreur détaillées dans l'APPLI Zendure et contacter le service client.	AB1000 ou AB2000 : Le voyant devient rouge. SuperBase V : Panne de batterie et un code d'erreur clignote sur l'écran. Batterie satellite : Le voyant d'état s'allume.

Élément	Comment	Indicateur LED
Allumer SolarFlow	Si la batterie est une AB1000 ou AB2000, maintenez le bouton IOT enfoncé pendant 2 secondes pour l'allumer. Si la batterie est une batterie SuperBase V ou satellite, maintenez le bouton d'alimentation enfoncé pendant 1 seconde pour allumer la batterie SuperBase V ou satellite, ouvrez l'appli Zendure, puis maintenez enfoncé le bouton IOT de la batterie SuperBase V ou satellite pendant 3 secondes. Puis, en utilisant l'appli, allumez le commutateur parallèle pour alimenter le Hub 2000.	<ul style="list-style-type: none"> • L'indicateur Hub 2000 s'allume en vert • L'indicateur IoT clignote en vert • L'indicateur AB1000 ou AB2000 clignote en vert pendant 2s puis reste allumé en vert
Éteindre SolarFlow	Maintenez enfoncé le bouton IOT pendant 6 seconde pour éteindre SolarFlow. Si votre système comprend une batterie SuperBase V ou Satellite et que cet appareil est toujours en cours d'exécution, maintenez enfoncé son bouton d'alimentation pendant 3 secondes pour l'éteindre.	Aucun indicateur ne s'allume
Réinitialiser Hub 2000 et AB1000 ou AB2000 ou batterie SuperBase V ou Satellite	Maintenez le bouton IoT enfoncé pendant 10 seconde	/
OTA Hub 2000& AB1000 ou AB2000 ou batterie SuperBase V ou Satellite	Téléchargez l'appli Zendure par OTA	/

Conseils :

- Choisissez l'un des modes Bluetooth ou Wifi sur l'appli Zendure, le Wifi est préféré.
- Lorsque votre Hub 2000 est connecté à une batterie SuperBase V ou Satellite et que l'alimentation est fournie à l'entrée solaire, votre Hub 2000 s'allume automatiquement. Si aucune batterie n'est connectée dans les 5 minutes, le Hub 2000 passe initialement en mode bypass et redirige l'alimentation vers le micro-onduleur (à une puissance par défaut de 200 W, déterminée dans l'appli Zendure). Cependant, si une batterie SuperBase V ou Satellite est connectée dans cette fenêtre de 5 minutes, le SolarFlow continue à fonctionner dans son mode par défaut. Si votre Hub 2000 est connecté à une batterie SuperBase V ou Satellite et qu'il reçoit toujours l'énergie solaire après avoir été éteint, il se rallume après 10 minutes et fonctionne en mode bypass, redirigeant l'alimentation vers le micro-onduleur à une valeur par défaut de 200 W (déterminée dans l'appli Zendure). Si votre Hub 2000 perd sa connexion Wifi alors qu'il reçoit de l'énergie solaire, il passe automatiquement en mode bypass et fournit de la puissance au micro-onduleur à une valeur par défaut de 200 W (déterminée par l'appli Zendure).

5.3 Installation

- Si vous souhaitez vérifier et mettre en service votre système solaire immédiatement, réalisez l'installation par temps ensoleillé.
- Il est recommandé qu'au moins deux personnes prennent part à l'installation.
- N'oubliez pas, si vous connectez ou déconnectez Hub 2000 avec AB1000 ou AB2000 ou la batterie SuperBase V ou Satellite, des panneaux solaires ou des micro-onduleurs, de vous assurer que SolarFlow est éteint de la façon ci-dessous.
- Maintenez enfoncé le bouton IOT pendant 6 seconde pour éteindre SolarFlow. Si la batterie est une batterie SuperBase V/Satellite et qu'elle fonctionne toujours, maintenez également son bouton d'alimentation enfoncé pendant 3 secondes pour l'éteindre.

5.3.1 Présentation des étapes d'installation

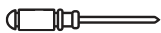
- Déconnectez le panneau solaire, le micro-onduleur et le réseau domestique
- Installez Hub 2000
- Installez Smart Microinverter
- Trouvez un endroit pour empiler AB1000 ou AB2000 ou la batterie SuperBase V ou Satellite.
- Connectez la batterie AB1000 ou AB2000 ou SuperBase V ou Satellite du haut au Hub 2000.
- Connectez le Microinverter au réseau domestique
- Connectez les panneaux solaires au Hub 2000
- Scannez le code QR et téléchargez l'appli Zendure. Suivez les instructions de l'appli pour configurer l'appareil. Après 20 minutes, vous obtenez les données du système de stockage d'énergie SolarFlow sur votre appli Zendure.

Conseils :

Conformément aux réglementations gouvernementales et pour garantir la sécurité, le micro-onduleur ne peut commencer à fonctionner qu'après avoir été connecté à un réseau électrique depuis 5 minutes. Pour améliorer la précision des données, le système les vérifie et les valide pendant 15 minutes avant de les afficher sur l'appli.

5.3.2 Outils d'installation

Avant l'installation, veuillez vérifier tous les accessoires et préparer les outils suivants (les outils ne sont pas fournis lors de l'achat)



Tournevis cruciforme



Clé hexagonale



Gants de travail



Perceuse électrique



Marqueur

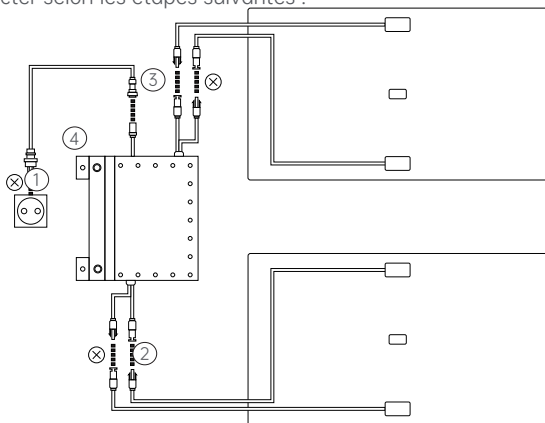


Mètre à ruban

5.3.3 Déconnexion

Conseils : La méthode de démontage est soumise aux instructions du micro-onduleur. Veuillez confirmer les conditions de garantie du micro-onduleur avant le démontage.

Si vous avez installé le système solaire de balcon, vous devez le déconnecter selon les étapes suivantes :



① Débranchez les câbles du micro-onduleur et du réseau domestique.

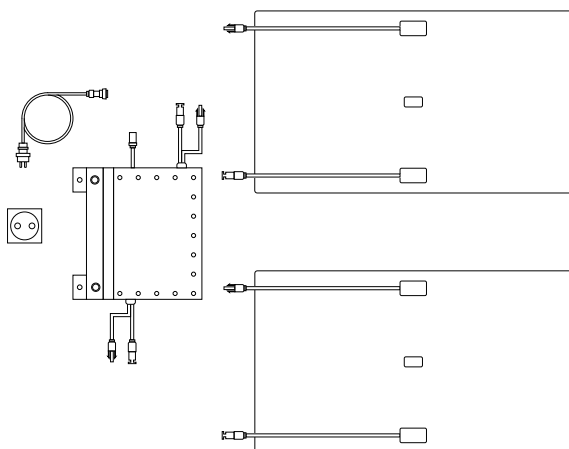
② Débranchez uniquement les câbles du premier panneau solaire et du micro-onduleur.

Conseils : L'installation du panneau solaire n'a pas besoin d'être déplacée sauf si vous souhaitez changer d'emplacement.

③ De la même façon, débranchez les câbles du deuxième panneau solaire et du micro-onduleur.

④ Dévissez les vis de montage du micro-onduleur, retirez le micro-onduleur fixé sur le panneau solaire ou le support métallique.

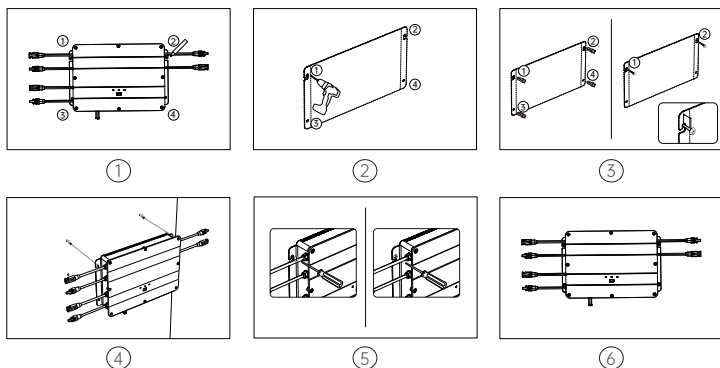
Conseils : Assurez-vous que l'état après déconnexion est tel qu'indiqué sur la figure suivante.



5.3.4 Installer Hub 2000

Conseils :

- Veuillez installer le Hub 2000 dans un endroit à l'abri de la lumière directe du soleil.
- La longueur de nos câbles solaires est de 3 mètres (à acheter séparément), donc avant de confirmer l'emplacement de l'installation du Hub 2000, veuillez à mesurer la distance entre le connecteur MC4 du panneau solaire et celui du Hub 2000.
- Le Hub 2000 n'est livré avec aucune antenne Wi-fi installée. Veuillez installer l'antenne Wifi sur le Smart PVHub avant de le monter au mur.

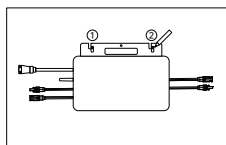


- ① Marquez l'emplacement. Trouvez le mur où vous prévoyez d'installer. Une personne plaque le Hub 2000 au mur avec les mains, et l'autre personne trace les positions des quatre trous de vis du Hub 2000 avec un marqueur.
- ② Perçage. Percez quatre trous de montage de 8 mm de diamètre aux quatre positions marquées.
- ③ Installation des vis, installez d'abord respectivement le tube de vis d'expansion en plastique jaune dans les 4 trous percés à l'étape 3, puis vissez aux 2/3 les vis ① et ② dans le tube d'expansion en plastique jaune.
- ④ Accrocher le Hub 2000, veuillez accrocher le Hub 2000 sur la partie exposée de la vis ① et ②.
- ⑤ Une personne fixe le Hub 2000 avec les deux mains, et l'autre serre le reste des vis ① et ② complètement dans le mur.
- ⑥ Installez deux autres vis. Vissez 3 et 4 dans le tube d'expansion en plastique jaune, et complètement dans le mur. Vous avez ainsi terminé l'installation du Hub 2000.

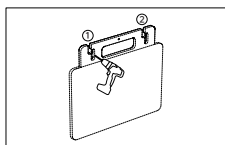
5.3.5 Installer le micro-onduleur Microinverter

Conseils : La méthode de montage est soumise aux instructions du micro-onduleur Microinverter.

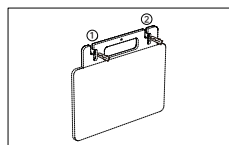
- Afin de réduire le nombre de branchements, il est recommandé d'installer le micro-onduleur entre le Hub 2000 et la prise domestique, à proximité du PV Hub.
- Assurez une distance d'au moins 50 mm entre le Hub 2000 et le Microinverter afin de dissiper la chaleur.



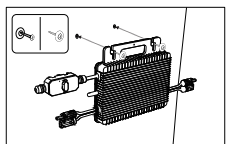
①



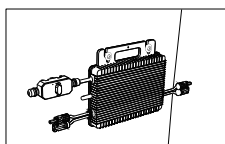
②



③



④

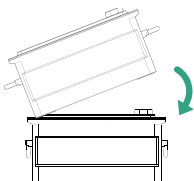


⑤

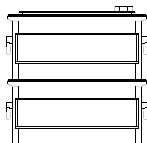
- ① Marquez l'emplacement. Trouvez une position à côté du Hub 2000. Une personne plaque le micro-onduleur au mur avec les mains et l'autre personne trace les positions des deux trous de vis du micro-onduleur avec un marqueur.
- ② Perçage. Percez deux trous de montage de 8 mm de diamètre aux deux positions marquées.
- ③ Installation du tube d'expansion en plastique jaune des vis. Installez respectivement le tube de vis d'expansion en plastique jaune dans les deux trous percés à l'étape 2.
- ④ Pour installer le micro-onduleur, une personne fixe celui-ci avec les deux mains sur le mur et aligne avec les trous de perçage de l'étape 2. Placez ensuite les rondelles plates sur les vis, et enfin vissez ① et ② avec une rondelle plate dans le tube d'expansion en plastique jaune.
- ⑤ Serrez les vis, vissez le reste des vis ① et ② complètement dans le mur. Vous avez alors également terminé l'installation du micro-onduleur.

5.3.6 Empilement d'AB1000 ou AB2000

Avant d'empiler les AB1000 ou AB2000, veuillez prêter attention à la note sur le dessus des AB1000 ou AB2000.



①



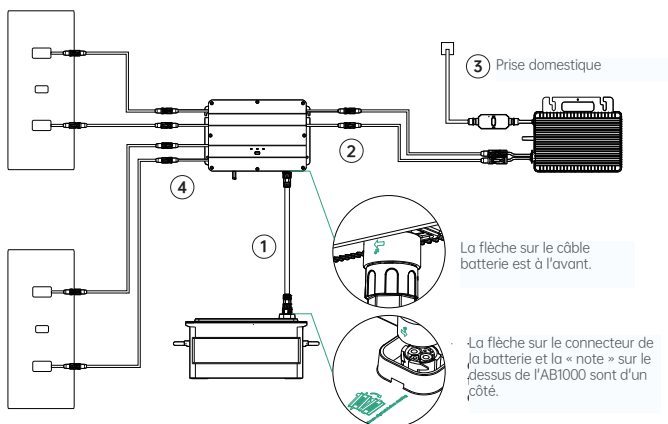
②

- ① Retirez les caches de protection en plastique sur le port de connexion, puis alignez d'abord le côté gauche.
 - ② Insérez lentement le port de connexion de la batterie.
- Conseils : Le Hub 2000 ne peut être connecté qu'à une batterie SuperBase V ou Satellite, ou il ne peut être connecté qu'à une seule batterie Satellite sans SuperBase V. Les batteries multiples ne sont pas prises en charge.

5.3.7 Connecter avec des câbles

Conseils : avant de connecter le câble, assurez-vous que le produit est éteint. Maintenez enfoncé le bouton IOT pendant 6 seconde pour éteindre SolarFlow. Si la batterie est une batterie SuperBase V/Satellite et qu'elle fonctionne toujours, maintenez également son bouton d'alimentation enfoncé pendant 3 secondes pour l'éteindre.

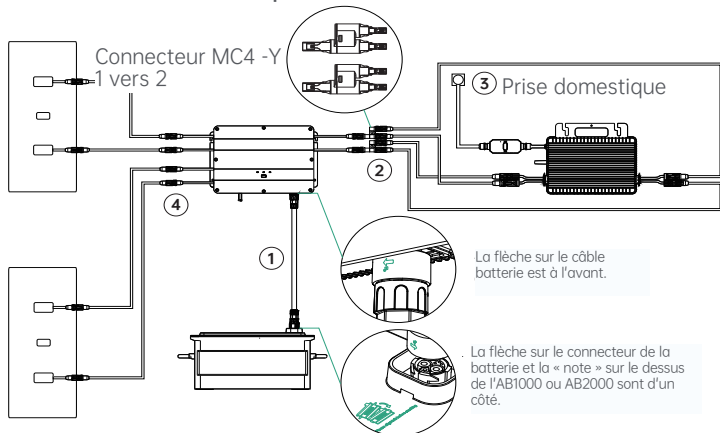
Branchement des câbles pour Microinverter 1 vers 1



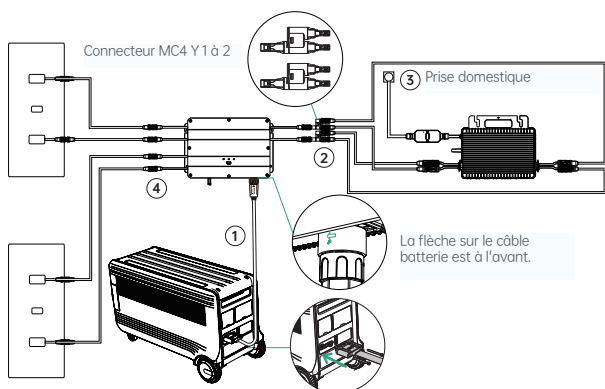
- ① Connectez AB1000 ou AB2000 ou la batterie SuperBase V ou Satellite au Hub 2000 avec le câble batterie. Les bornes du câble de la batterie peuvent être autobloquantes. Lorsque vous entendez un clic, vous avez correctement inséré le câble batterie. (Assurez-vous de serrer les vis du connecteur pour une connexion sécurisée à votre batterie SuperBase V ou Satellite.)
- ②
- ③ Connectez Hub 2000 à Microinverter avec le câble Microinverter.
- ④ Connectez le Microinverter à la prise domestique avec votre câble d'origine. Raccordez le panneau solaire au Hub 2000.

Conseils : Vous devez d'abord connecter l'AB1000 ou AB2000, puis connecter les panneaux solaires.

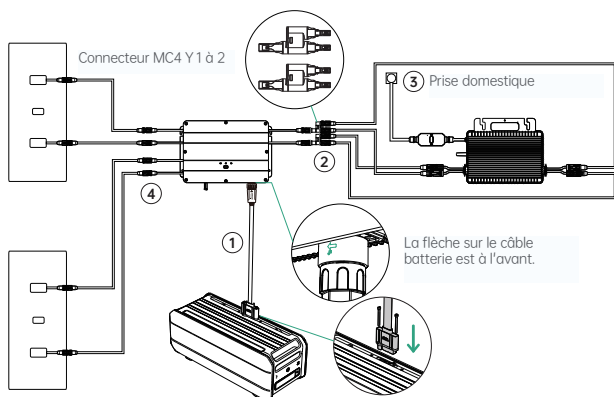
Branchement des câbles pour Microinverter 2 vers 1



Connexion câble pour SuperBase V



Connexion câble pour batterie Satellite



- ① Connectez AB1000 ou AB2000 ou la batterie SuperBase V ou Satellite au Hub 2000 avec le câble batterie. Les bornes du câble de la batterie peuvent être autobloquantes. Lorsque vous entendez un clic, vous avez correctement inséré le câble batterie. (Il faut serrer les vis du connecteur pour une connexion sécurisée à la batterie SBV ou Satellite)
- ② Connectez le Hub 2000 au Microinverter, connectez d'abord le « connecteur 1 à 2 MC4 » au Hub 2000, puis connectez au Microinverter avec
- ③ Le câble Microinverter et 2 autres câbles d'extension MC4.
- ④ Connectez le Microinverter à la prise domestique avec votre câble d'origine. Connectez le panneau solaire au Hub 2000.

Conseils :

- Vous devez d'abord connecter l'AB1000 ou l'AB2000 ou la batterie SuperBase V ou Satellite, puis connecter les panneaux solaires.
- Après avoir terminé la connexion, veuillez activer SolarFlow
 - 1) Si la batterie est AB1000 ou AB2000, appuyez sur le bouton IOT pendant 2 secondes pour l'allumer.
 - 2) Si la batterie est une SuperBase V ou Satellite, appuyez sur le bouton d'alimentation pendant 1 seconde pour allumer la batterie, ouvrez l'appli, maintenez le bouton IOT de la batterie enfoncé pendant 3 secondes pour terminer l'appariage, enfin, activez le commutateur parallèle pour alimenter le Hub 2000 .

5.3.8 Télécharger l'appli Zendure

L'appli Zendure donne aux utilisateurs la possibilité d'allouer la puissance à AB1000 ou AB2000 ou à la batterie SuperBase V or Satellite, et au réseau domestique et de surveiller la production d'énergie. La puissance du Microinverter peut être réglée dans une plage de 100 à 1200 W. Lisez le guide d'utilisation de l'appli Zendure et accédez au lien de téléchargement ci-après : <https://zendure.com/pages/download-center>.

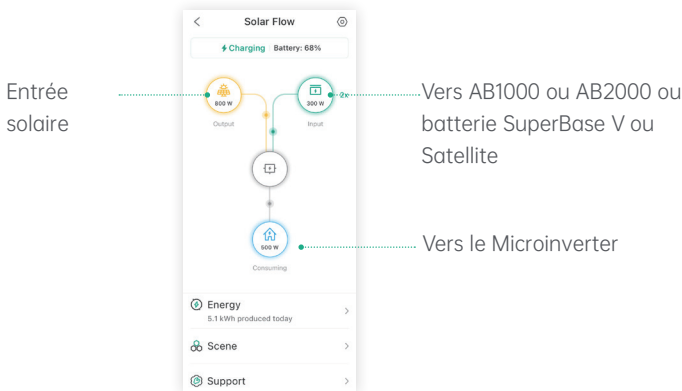


Politique de confidentialité
En utilisant les produits, applications et services Zendure, vous acceptez les conditions d'utilisation et la politique de confidentialité de Zendure, auxquelles vous pouvez accéder via la section « À propos » de la page « Utilisateur » de l'appli Zendure.

*** Ajouter un dispositif et mettre à jour à la dernière version du firmware**
Lorsque vous utilisez l'appareil pour la première fois, vous devez mettre à jour le firmware via l'appli Zendure. Pour plus d'informations, veuillez consulter le guide d'utilisation de l'appli Zendure.

*** Régler la puissance vers le micro-onduleur**

La puissance solaire maximale du système SolarFlow en entrée est de 800 W. Vous pouvez régler la puissance vers le Microinverter, et le surplus de puissance est automatiquement stocké dans la batterie. Par exemple : Si l'entrée solaire totale est de 800 W, vous réglez 200 W sur Microinverter, et une entrée de 600 W se fait sur l'AB1000 ou AB2000 ou la batterie SuperBase V or Satellite.



Conseils :

- Il faut un certain temps pour que le système se connecte au réseau, et il faut environ 20 minutes pour synchroniser les données avec l'appli Zendure. Ainsi, après l'installation, veuillez attendre 20 minutes avant d'accéder aux paramètres de l'APPLI.
 - Il est recommandé de stocker autant que possible dans la batterie durant la journée, à l'exception de la consommation électrique de base. La façon de connaître la consommation électrique de base est la suivante :
1. Calculez la consommation des appareils que vous utilisez toujours pendant la journée ou 24 heures sur 24, comme les réfrigérateurs, les routeurs et les appareils en veille.
 2. Allez sur le boîtier du compteur juste avant d'aller vous coucher, notez votre relevé de compteur actuel et l'heure. Dès que vous vous levez, vous notez le relevé du compteur et l'heure. Vous pouvez calculer votre charge de base à partir de la consommation et du temps écoulé.
 3. Vous pouvez utiliser une prise de mesure que vous branchez entre la prise et le consommateur de courant. Pour calculer la charge de base, vous collectez la puissance consommée par tous les appareils qui fonctionnent en permanence (y compris en veille) et additionnez les valeurs.

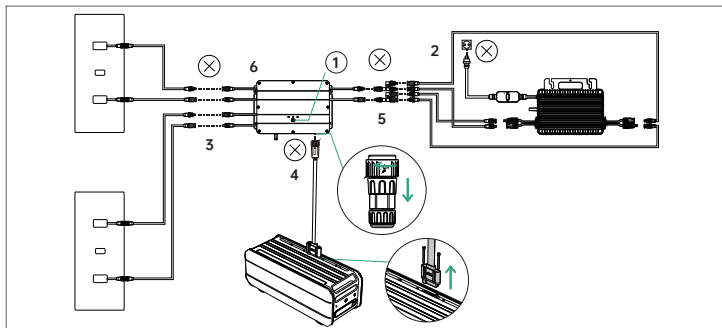
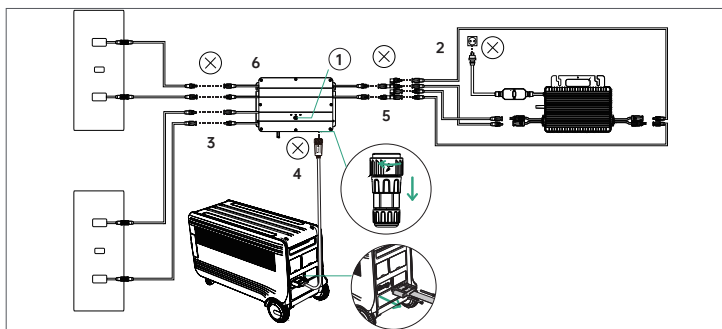
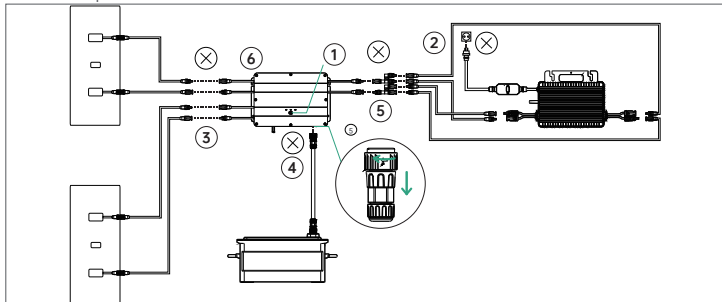
5.3.9 Déconnexion de SolarFlow

Conseils :

Avant de débrancher, veuillez éteindre SolarFlow

Maintenez enfoncé le bouton IOT pendant 6 seconde pour éteindre SolarFlow.

Si la batterie est une batterie SuperBase V/Satellite et qu'elle fonctionne toujours, maintenez également son bouton d'alimentation enfoncé pendant 3 secondes pour l'éteindre.



- ① Éteindre d'abord SolarFlow. Maintenez enfoncé le bouton IOT pendant 6 seconde pour éteindre SolarFlow.
Si la batterie est une batterie SuperBase V/Satellite, maintenez également son bouton d'alimentation enfoncé pendant 6 secondes pour l'éteindre.
- ② Déconnexion du réseau domestique. Débranchez les câbles du Microinverter et de la prise shuko domestique.
- ③ Déconnexion des panneaux solaires. Débranchez les câbles des deux panneaux solaires et du Hub 2000.
- ④ Déconnexion de l'AB1000 ou AB2000 ou de la batterie SuperBase V ou Satellite, Débranchez les câbles du Hub 2000 et de l'AB1000 ou AB2000 ou de la batterie SuperBase V ou Satellite.
- ⑤ Déconnexion du Microinverter. Débranchez les câbles du Microinverter et du Hub 2000.
- ⑥ Dévissez les vis de montage du Hub 2000 et du Microinverter, retirez le Hub 2000 et le Microinverter du mur.

Conseils : Lors du démontage, veuillez à ranger et à conserver toutes les pièces pour la réinstallation.

Nou scontacter

Pour toute question, veuillez nous contacter par la méthode suivante.

E-mail :

support@zendure.com

support-eu@zendure.com

Hotline (US) :

+1(800)991- 6148, du lundi au vendredi de 7h à 16h, heure du Pacifique (sauf jours fériés)

Hotline (UE) :

+49-800-627-3067, du lundi au vendredi de 9h à 18h (sauf jours fériés)

Site Web du centre d'assistance :

US : Support.zendure.com

DE : Support.zendure.com/portal/de

Comment faire votre demande de garantie

Veillez envoyer un e-mail contenant les informations suivantes à notre e-mail d'assistance client :

1. Numéro de commande et preuve d'achat.
2. Numéro de série.
3. Vidéo ou photo de tout phénomène défectueux ou dommage causé par le produit.
4. Numéro de contact : Téléphone / E-mail.



Cher client Zendure, veuillez scanner le code QR pour des informations toujours à jour sur l'existence, la validité et l'expiration de la garantie.

RENUNCIA DE RESPONSABILIDAD

Lea atentamente todas las instrucciones de seguridad, advertencias y otra información del producto contenidas en este manual, así como las etiquetas o pegatinas adheridas al producto antes de usarlo. Los usuarios asumen toda la responsabilidad por el uso y funcionamiento seguros de este producto. Familiarícese con las normativas relevantes en su área. Usted es el único responsable de conocer todas las normativas pertinentes y de utilizar los productos de Zendure de manera que se cumplan.

Conserve este manual para consulta futura.

CONTENIDO

1. Antes de empezar	55
2. Especificaciones	55
3. INSTRUCCIONES DE SEGURIDAD	57
3.1 Uso	57
3.2 DECLARACIÓN DE LA FCC	58
3.3 DECLARACIÓN DE CONFORMIDAD CE	58
4. Sugerencias importantes	59
5. Procedimientos iniciales.....	60
5.1 Contenido del paquete	60
5.2 Información general del producto	60
5.3 Instalación	64
5.3.1 Descripción general de los pasos de instalación.....	64
5.3.2 Herramientas de instalación	64
5.3.3 Desconexión	64
5.3.4 Instalar la unidad Hub 2000.....	66
5.3.5 Instalar el microinversor	66
5.3.6 Apilar las baterías AB1000 o AB2000	67
5.3.7 Conexión con cables	68
5.3.8 Descarga de la aplicación Zendure	70
5.3.9 Desconexión de SolarFlow.....	71

1. Antes de empezar

La información detallada contenida en este documento está sujeta a cambios sin previo aviso.

Para obtener la versión más reciente, visite:

<https://zendure.com/pages/download-center>.

2. Especificaciones

El sistema SolarFlow incluye la unidad Hub 2000 y la batería complementaria AB1000 o AB2000 o la SuperBase V o la Batería satelital. SolarFlow y el microinversor constituyen un pequeño sistema de almacenamiento de energía fotovoltaica conectado a la red cuya finalidad es ayudar a los usuarios a ahorrar en las facturas de electricidad. Este producto no se puede utilizar durante cortes de suministro eléctrico.

Nombre	Hub 2000
Modelo	ZDHUB2000
Peso	≈ 5,2 kg
Dimensiones (LA*AN*AL)	363×246×64 mm
Tipo inalámbrico	Bluetooth, Wi-Fi de 2,4 GHz y 5 GHz
Nivel de IP	IP65
Garantía	10 años
Entrada fotovoltaica	
Potencia de entrada recomendada	1200 W cada una
Tensión de entrada de CC máxima	60 V
Intervalo de tensión MPPT	16-60 V
Intervalo de tensión de potencia completa MPPT	35-60V
Tensión de entrada de CC mínima	16 V
Corriente de entrada máxima	2*26 A
Número de MPPT	2
Salida al microinversor	
Potencia recomendada del microinversor	400-1200 W
Potencia de salida nominal	1200 W
Potencia máxima de salida del microinversor	1200 W
Corriente de salida nominal	30 A
Intervalo de tensión nominal	16-60 V
Eficiencia	
Eficiencia de salida	98 %
Eficiencia de seguimiento MPPT	99 %
Temperatura de trabajo (° C)	-20-45 ° C
Entrada procedente de AB2000	
Potencia de entrada máxima	1200 W
Corriente de entrada máxima	25 A
Tensión nominal	48 V
Salida hacia AB2000	
Potencia de entrada máxima	1200 W/1800 W(≥2*AB2000)
Corriente de entrada máxima	25 A / 37,5 A(≥2*AB2000)
Intervalo de tensión	42-54,75 V
Entrada procedente de AB1000	
Potencia de entrada máxima	1200 W
Corriente de entrada máxima	25 A
Tensión nominal	48 V
Salida hacia AB1000	
Potencia de entrada máxima	800 W
Corriente de entrada máxima	16,6 A
Intervalo de tensión	42-54,75 V
Entrada procedente de SuperBase V o de la Batería satelital	

Potencia de entrada máxima	1200 W
Corriente de entrada máxima	25 A
Intervalo de tensión	45-58,4 V
Salida hacia SuperBase V o hacia la Batería satelital	
Potencia de entrada máxima	1800 W
Corriente de entrada máxima	37,5 A
Tensión nominal	45-58,4 V

El controlador de Hub 2000 no incluye batería externa y la batería debe comprarse por separado. Para más información sobre las baterías AB1000, AB2000, SuperBase V o la Batería satelital, consulte sus manuales de usuario correspondientes.

3. INSTRUCCIONES DE SEGURIDAD

3.1 Uso

1. Antes de utilizarlo su SolarFlow, compruebe si está dañado, agrietado, presenta fugas de líquido, se calienta o se observan otras anomalías en él o si los cables están dañados. Si se da alguna de las circunstancias anteriores, deje de utilizar el producto inmediatamente y póngase en contacto con nuestro servicio de atención al cliente.
2. Mantenga una distancia de 50 mm entre su Hub 2000 y otros objetos.
3. Durante el funcionamiento del sistema de energía solar, evite la luz solar directa para impedir que el sistema SolarFlow se sobrecaliente. No coloque su SolarFlow cerca de ninguna fuente de calor.
4. No lo use en las proximidades de campos magnéticos intensos o de la electricidad estática.
5. Está prohibido colocar el equipo en un entorno con gases o humos inflamables o explosivos. Dado que SolarFlow disipa el calor a través de la carcasa, el exceso de temperatura de esta provocará daños.
6. Evite que, personal no autorizado, reemplace los componentes internos del equipo.
7. Instale el producto de acuerdo con las instrucciones de nuestro manual de usuario para evitar daños al producto o lesiones a otras personas.
8. Antes de finalizar la instalación, asegúrese de que el cable solar y el cable del microinversor a la red doméstica estén desconectados.
9. Asegúrese de que su Hub 2000 y el microinversor estén instalados firmemente para evitar accidentes y daños al producto provocados por caídas.
10. SolarFlow tiene un nivel de protección IP65, por lo que el producto no puede sumergirse en líquidos. Si el producto cae accidentalmente al agua durante su uso, colóquelo en un área segura y abierta y manténgalo alejado hasta que esté completamente seco. El producto seco no se debe volver a utilizar y se debe desechar correctamente de acuerdo con las instrucciones para deshacerse del producto de este manual.
11. Asegure una ventilación adecuada mientras está en uso. Una ventilación inadecuada puede causar daños permanentes al equipo.
12. No coloque nada encima de SolarFlow; instálelo donde nadie pueda tocarlo.
13. No mueva ni sacuda la unidad mientras está en funcionamiento, ya que las vibraciones y los impactos repentinos pueden provocar conexiones deficientes con el hardware interno.

14. En caso de incendio, solo un extintor de incendios de polvo seco es adecuado para el producto.
15. Limpie los puertos únicamente con un paño seco.
16. Mantenga el producto fuera del alcance de los niños y mascotas.
17. Por motivos de seguridad, utilice únicamente el cargador y los cables originales diseñados para el equipo. No asumimos ninguna responsabilidad por los daños causados por equipos de terceros y podemos anular la garantía.

3.2 DECLARACIÓN DE LA FCC

Este dispositivo cumple el Apartado 15 de las normas FCC. Su funcionamiento está sujeto a las dos condiciones siguientes:

- (1) Este dispositivo no puede causar interferencias perjudiciales, y
- (2) Este dispositivo debe aceptar cualquier interferencia recibida, incluida la interferencia que pueda causar un funcionamiento no deseado.

Todos los cambios o modificaciones no aprobados expresamente por la parte responsable del cumplimiento anularán la autorización del usuario para trabajar con el equipo.

NOTA:

Este equipo ha sido probado, hallándose que satisface los límites de un dispositivo digital de Clase B de acuerdo con los requisitos definidos en la Sección 15 de la normativa FCC. Se proporcionan estos límites para proporcionar protección responsable contra interferencias perjudiciales en una instalación residencial. Este equipo genera, utiliza y puede irradiar energía en radiofrecuencia y, si no se instala y utiliza conforme a las instrucciones, podría provocar interferencias perjudiciales en comunicaciones de radio. No es posible, no obstante, garantizar que no se produzcan interferencias en una instalación particular. En el caso de que el equipo causara interferencias perjudiciales para la recepción de radio o TV, lo que puede determinarse encendiendo y apagando el equipo, se sugiere que el usuario lleve a cabo una o varias de las siguientes medidas para corregir dichas interferencias:

Reorientar o recolocar la antena receptora.

Aumentar la separación entre el equipo y el receptor.

Conectar el equipo a una toma de corriente de un circuito diferente al que está conectado el receptor.

Solicitar ayuda al proveedor o a un profesional de radio y TV con experiencia.

Declaración sobre la exposición a la radiación de la FCC

Este equipo cumple los límites de exposición a la radiación FCC establecidos para un entorno no controlado. Este equipo se debe instalar y utilizar a una distancia mínima de 20 cm entre el emisor de radiación y su cuerpo.

3.3 DECLARACIÓN DE CONFORMIDAD CE

ZENDURE TECHNOLOGY CO., LIMITED declara que el producto SolarFlow (Hub 2000) cumple con la directiva 2014/53/UE (RED), 2011/65/UE (RoHS), 2015/863/UE (RoHS).

El texto completo de la declaración de conformidad de la UE está disponible en la siguiente dirección web: <https://zendure.de/pages/download-center>.



Declaración de conformidad

La declaración de conformidad de la UE se puede solicitar en la siguiente dirección: <https://zendure.de/pages/download-center>.



Desecho

Eliminación del embalaje. Deseche el embalaje por separado según su tipo.

Deseche el cartón y el papel según el método de recogida de papel usado. Láminas para la recogida de reciclaje.



Deseche el equipo antiguo (se aplica en la Unión Europea y otros países europeos con recogida independiente [recolección de desechos]) ¡El equipo antiguo no debe desecharse con la basura doméstica! Todos los consumidores están legalmente obligados a desechar los equipos antiguos que ya no se pueden usar de forma de manera que no se mezclen con los desechos domésticos, por ejemplo, en un punto de recolección de materiales reciclables.

Para garantizar un reciclaje adecuado y evitar un impacto negativo en el medio ambiente, los dispositivos electrónicos deben trasladarse a un punto de recolección de su comunidad o distrito. Por este motivo, los dispositivos electrónicos están marcados con el símbolo que se muestra aquí.

4. Sugerencias importantes



El sistema solar fotovoltaico está conectado a la red. Compruebe si está permitido en su área. En función de la región, es posible que se requiera una aprobación oficial antes o después de la instalación.



La unidad Hub 2000 y la batería AB1000 deben protegerse de la luz solar directa para evitar un aumento rápido de la temperatura.



Compruebe los accesorios antes de la instalación; algunos accesorios deben comprarse por separado.



Después de la instalación, primero descargue la aplicación Zendure para verificar la electricidad producida y establecer la potencia del microinversor.



Después de la instalación de SolarFlow, pasarán unos 5 minutos antes de que se pueda conectar a la red y los datos se sincronizarán con la aplicación Zendure en 20 minutos.




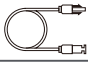
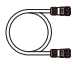




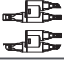
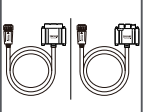
Antes de configurar la salida al microinversor, confirme la potencia nominal de este. La salida al microinversor no debe ser mayor que la potencia nominal de este.



Apague el dispositivo (mantenga presionado el botón IOT durante 6 segundos para apagar su SolarFlow. Si la batería es una batería SuperBase V o se trata de la Batería satelital y sigue funcionando, mantenga presionado también su botón de alimentación durante 3 segundos para apagarla) para retirar o instalar la batería.

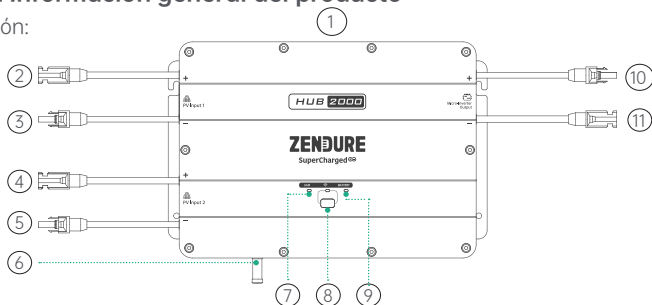
5. Procedimientos iniciales

5.1 Contenido del paquete

N.º	Imagen	Nombre	
1		Hub 2000	
2		4* Cable de microinversor de 0,6 m	Cable de microinversor: se usa para la conexión del microinversor.
3		Cable de batería de 1,5 m	Cable de batería: se usa para la conexión de las baterías AB1000 o AB2000.
4		Manual del usuario	
5		6* Tornillos de montaje M4.7*39 mm	Tornillos de montaje: Conexión de la unidad Hub 2000 y del microinversor.
6		1* Antena	
7		2* Arandela plana	Arandela plana se usa para fijar el microinversor.
8		Conjunto de conectores en Y MC4 1 a 2	
* 9		1* Cable desde el concentrador a SBV o cable desde el concentrador a la Batería satelital	* Cable de batería: cable desde el concentrador a SBV o cable desde el concentrador a la Batería satelital (no incluidos). Esto será necesario para conectar la unidad Hub 2000 a una SuperBase V o Batería satelital.

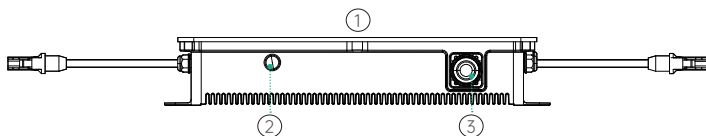
5.2 Información general del producto

Botón:



① PARTE SUPERIOR

- ② Electrodo positivo de la entrada 1 fotovoltaica del conector MC4
- ③ Electrodo negativo de la entrada 1 fotovoltaica del conector MC4
- ④ Electrodo positivo de la entrada 2 fotovoltaica del conector MC4
- ⑤ Electrodo negativo de la entrada 2 fotovoltaica del conector MC4
- ⑥ Antena
- ⑦ Indicador de estado del concentrador
- ⑧ Botón e indicador IoT
- ⑨ Indicador de estado de la batería
- ⑩ Electrodo positivo de salida del microinversor del conector MC4
- ⑪ Electrodo negativo de salida del microinversor del conector MC4



① Parte inferior ② Puerto de antena ③ Puerto de batería

Conexión IoT: después de encender la unidad Hub 2000, el indicador IoT comienza a parpadear rápidamente y el dispositivo entra automáticamente en la conexión IoT. Los usuarios pueden conectarse directamente a IoT en la aplicación Zendure.

Sugerencias:

- Una vez que el dispositivo está vinculado a la aplicación Zendure, cuando SolarFlow se vuelve a encender, la luz indicadora de IoT parpadea lentamente hasta que pueda comunicarse con la aplicación de Zendure.
- Si desea volver a vincular la cuenta y restablecer la conexión IoT, mantenga presionado el botón IoT durante 3 segundos para iniciar dicha conexión.
- Restablecimiento por hardware de la unidad Hub 2000 y AB1000, AB2000, SuperBase V o la Batería satelital: mantenga presionado el botón IoT durante 10 segundos para reiniciar la unidad Hub 2000 y AB1000, AB2000, SuperBase V o la Batería satelital.

Sugerencias:

- Tanto los paneles solares como la fuente de alimentación AB1000, AB2000, SuperBase V o la Batería satelital proporciona, pueden reactivar la unidad Hub 2000.
- Si la unidad Hub 2000 está conectada a una SuperBase V o a una Batería satelital, se recomienda incluir al menos un panel solar en el sistema, conectado a la batería mediante un cable MC4 a XT-90. Esto permitirá a la batería "reactivarse" incluso si su energía está completamente agotada, siempre y cuando el panel solar suministre algo de energía.

Si la batería está completamente agotada, siga los pasos que se indican a continuación para reactivarla.

Si hay alimentación de entrada disponible, presione el botón de alimentación durante 1 segundo en la batería para iniciar la carga.

Si no dispone de alimentación de entrada, deberá proporcionar energía primero a la batería a través de corriente alterna.

- Para proteger la batería AB1000 o AB2000, se apagará en la fábrica. Actívela encendiendo su SolarFlow (mantenga presionado el botón IoT durante 2 segundos).
- Antes de desconectar una conexión, apague su SolarFlow.

Pautas de funcionamiento:

Sugerencias:

El proceso de trabajo de SolarFlow es el siguiente:

Primero se encenderá la unidad Hub 2000, luego entrará en el estado de funcionamiento (el indicador de la unidad Hub 2000 se iluminará en verde). En segundo lugar, se reactivará la función IoT y el dispositivo entrará directamente en el estado de conexión Wi-Fi (el indicador IoT parpadea en verde). Finalmente, la unidad Hub 2000 enviará una señal para activar la batería AB1000 o AB2000 (el indicador AB1000 o AB2000 parpadea en verde durante 2 segundos antes de entrar en un estado estable).

Si utiliza una SuperBase V o una Batería satelital, siga los pasos que se indican a continuación para encender su Hub 2000 y establecer la conexión IoT.

- 1) Mantenga presionado el botón de alimentación de la SuperBase V o de la Batería satelital durante 1 segundo que se encienda.
- 2) Abra la aplicación Zendure y, a continuación, mantenga presionado el botón IOT de la SuperBase V o de la Batería satelital durante 3 segundos.
- 3) En la aplicación, coloque el conmutador paralelo en la posición de encendido para suministrar energía a la unidad Hub 2000.
- 4) Mantenga presionado el botón IOT de la unidad Hub 2000 durante 3 segundos para terminar de establecer la conexión.

Pautas de funcionamiento:

Elemento	Elemento	Cómo	Indicador LED
Hub 2000	Encender	Conectar la energía fotovoltaica, las baterías AB1000, AB2000, SuperBase V o la Batería satelital	El indicador Hub 2000 se ilumina en verde
	Corte de energía	Desconectar la energía fotovoltaica, las baterías AB1000, AB2000, SuperBase V o la Batería satelital	Ninguno de los indicadores se enciende
	Iniciar la conexión IoT	Después de que se encienda la unidad Hub 2000	El indicador IoT parpadea lentamente en verde
	Conexión IoT	Después de que se encienda la unidad Hub 2000	Los indicadores IoT parpadean en verde
	Finalizar la conexión IoT	/	El indicadores IoT parpadea en verde
	Restablecer la conexión IoT	Mantener presionado el botón IoT durante 3 segundos	Los indicadores IoT parpadean en verde
	Desactivar IoT	Mantener presionado el botón IoT durante 1 segundo	Ninguno de los indicadores IoT se encienden
	Activar IoT	Mantener presionado el botón IoT durante 1 segundo	Los indicadores IoT parpadean en verde
	Recordatorio de exceso de tensión, recordatorio de exceso de corriente, recordatorio de cortocircuito, recordatorio de error	Deje de usar inmediatamente el producto, compruebe la información detallada del error en la aplicación Zendure y póngase en contacto con el servicio de atención al cliente	El indicador Hub 2000 parpadea en rojo
AB1000, AB2000, SuperBase V o Batería satelital	Conexión de AB1000 o AB2000	Después de que se encienda la unidad Hub 2000	El indicador AB1000 o AB2000 parpadea en verde durante 2 segundos y luego permanece iluminado en verde
	Recarga de AB1000, AB2000, SuperBase V o la Batería satelital	/	1) El indicador AB1000 o AB2000 parpadea en verde. 2) SuperBase V mostrará la alimentación de entrada en la pantalla. 3) El botón de alimentación de la batería satelital parpadeará.
	Capacidad restante de AB1000, AB2000, SuperBase V o la Batería satelital	Mostrar en la aplicación Zendure, descargar la aplicación Zendure y vincular SolarFlow. SuperBase V y baterías satelitales también aparecerán en la pantalla.	/
	Recordatorio de energía baja	Mostrar en la aplicación Zendure, descargar la aplicación Zendure y vincular SolarFlow	AB1000 o AB2000: El color del indicador cambiará a rojo. SuperBase V o Batería satelital: El anillo de alimentación o el indicador de alimentación parpadearán durante 30 segundos cuando el estado de la carga (SOC) sea bajo (entre el 10 % y el 20 %). Además, emitirá 5 pitidos cuando el SOC caiga al 5 %.
	Advertencia de temperatura baja	Esperar a que la temperatura se normalice antes de usar el producto	1) Indicador AB1000 o AB2000 iluminado en rojo. 2) SuperBase V o Batería satelital: La advertencia de temperatura baja o alta parpadea en la pantalla.
	Advertencia de temperatura alta		
	Recordatorio de exceso de tensión, recordatorio de exceso de corriente, recordatorio de cortocircuito, recordatorio de error	Deje de usar inmediatamente el producto, compruebe la información detallada del error en la aplicación Zendure y póngase en contacto con el servicio de atención al cliente	AB1000 o AB2000: El color del indicador cambiará a rojo. SuperBase V: Error de batería y el código de error parpadea en la pantalla. Batería satelital: El indicador de estado se encenderá.

Elemento	Cómo	Indicador LED
Encender su SolarFlow	Si el modelo de batería es AB1000 o AB2000, mantenga presionado el botón IOT durante 2 segundos para encenderla. Si el modelo de batería es SuperBase V o Batería satelital, mantenga presionado el botón de alimentación durante 1 segundo para encender la SuperBase V o la Batería satelital, abra la aplicación Zendure y, a continuación, mantenga presionado el botón IOT de la SuperBase V o de la Batería satelital durante 3 segundos. A continuación, en la aplicación, coloque el conmutador paralelo en la posición de encendido para suministrar energía a la unidad Hub 2000.	<ul style="list-style-type: none"> • El indicador Hub 2000 se ilumina en verde • El indicador IoT parpadea en verde • El indicador AB1000 o AB2000 parpadea en verde durante 2 segundos y luego permanece iluminado en verde
Apagar su SolarFlow	Mantenga presionado el botón IOT durante 6 segundos para apagar su SolarFlow. Si el sistema incluye una SuperBase V o una Batería satelital, y ese dispositivo sigue funcionando, mantenga presionado su botón de alimentación durante 3 segundos para apagarlo.	Ninguno de los indicadores se enciende
Restablecimiento de hardware de la unidad Hub 2000 y AB1000, AB2000, SuperBase V o la Batería satelital	Mantener presionado el botón IoT durante 10 segundos	/
OTA de la unidad Hub 2000 y AB1000, AB2000, SuperBase V o la Batería satelital	Descargar la aplicación Zendure a OTA	/

Sugerencias:

- Elija Bluetooth o Wi-Fi en la aplicación Zendure, se prefiere Wi-Fi.
- Cuando su Hub 2000 se conecte a una SuperBase V o a una Batería satelital y se esté suministrando energía a la entrada solar, su Hub 2000 se encenderá automáticamente. Si no se conecta ninguna batería antes de que transcurran 5 minutos, su Hub 2000 cambiará inicialmente al modo de derivación y dirigirá la energía al microinversor (a un valor de salida predeterminado de 200 W, establecido en la aplicación Zendure). Sin embargo, si se conecta una SuperBase V o una Batería satelital dentro de este intervalo de 5 minutos, su SolarFlow seguirá funcionando en su modo predeterminado.

Si su Hub 2000 se conecta a una SuperBase V o a una Batería satelital y sigue recibiendo energía solar de entrada después de apagarse, se volverá a encender después de 10 minutos y funcionará en modo de derivación, dirigiendo la energía al microinversor a un valor predeterminado de 200 W (establecido en la aplicación Zendure).

Si su Hub 2000 pierde la conexión Wi-Fi mientras recibe energía solar, cambiará automáticamente al modo de derivación y enviará la energía al microinversor a un valor predeterminado de 200 W (establecido en la aplicación Zendure).

5.3 Instalación

- Si desea comprobar y poner en marcha el sistema solar inmediatamente, complete la instalación cuando el clima sea soleado.
- Es recomendable que la instalación se realice entre dos personas.
- Recuerde que si conecta o desconecta la unidad Hub 2000 de AB1000, AB2000, SuperBase V o la Batería satelital, los paneles solares o los microinversores, asegúrese de que SolarFlow está apagado mediante los métodos siguientes.
- Mantenga presionado el botón IOT durante 6 segundos para apagar su SolarFlow.
Si la batería es una batería SuperBase V o se trata de la Batería satelital y sigue funcionando, mantenga presionado también su botón de alimentación durante 3 segundos para apagarla.

5.3.1 Descripción general de los pasos de instalación

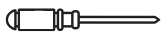
- Desconecte el panel solar, el microinversor y la red doméstica.
- Instale la unidad Hub 2000.
- Instale el microinversor inteligente.
- Busque un lugar para apilar su AB1000, AB2000, SuperBase V o la Batería satelital.
- Conecte la parte superior de su AB1000, AB2000, SuperBase V o de la Batería satelital a la unidad Hub 2000.
- Conecte el microinversor a la red doméstica.
- Conecte los paneles solares a la unidad Hub 2000.
- Escanee el código QR para descargar la aplicación remota. Siga las instrucciones de la aplicación para configurar el dispositivo. Después de 20 minutos, obtendrá los datos del sistema de almacenamiento de energía de SolarFlow en la aplicación Zendure.

Sugerencias:

De acuerdo con las normativas gubernamentales y para garantizar la seguridad, el microinversor solo puede comenzar a funcionar después de conectarse a una red eléctrica durante 5 minutos. Para mejorar la precisión de los datos, el sistema los verificará y validará durante 15 minutos antes de mostrarlos en la aplicación.

5.3.2 Herramientas de instalación

Antes de la instalación, compruebe todos los accesorios y prepare las siguientes herramientas, las cuales no están incluidas en la compra.



Destornillador Phillips



Llave hexagonal



Guantes de trabajo



Taladro eléctrico



Rotulador

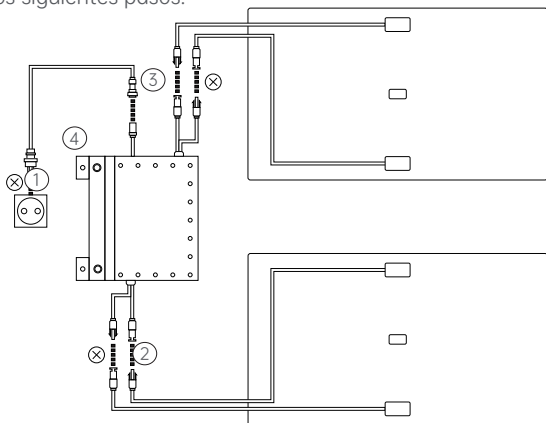


Cinta métrica

5.3.3 Desconexión

El método de desmontaje está sujeto a las instrucciones del microinversor. Confirme los términos de la garantía del microinversor antes de realizar el desmontaje.

Si ha instalado el sistema solar para balcón, debe desconectarlo llevando a cabo los siguientes pasos:



① Desenchufe los cables del microinversor y de la red doméstica.

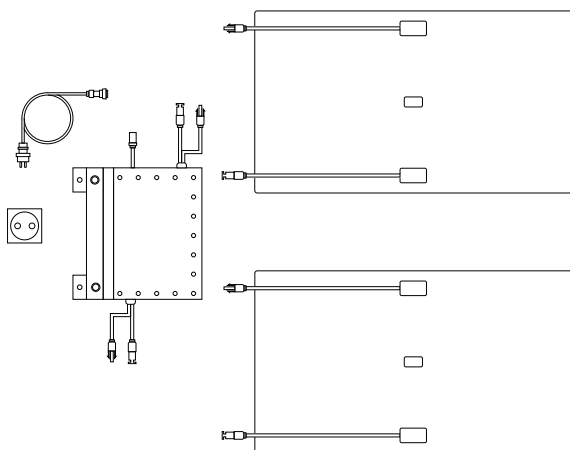
② Desenchufe solamente los cables del primer panel solar y el microinversor.

Sugerencias: No es necesario mover la instalación del panel solar a menos que desee cambiar la ubicación.

③ Utilice el mismo procedimiento para desconectar los cables del segundo panel solar y el microinversor.

④ Desatornille los tornillos de montaje del microinversor, retire el microinversor fijado en el panel solar o el soporte de metal.

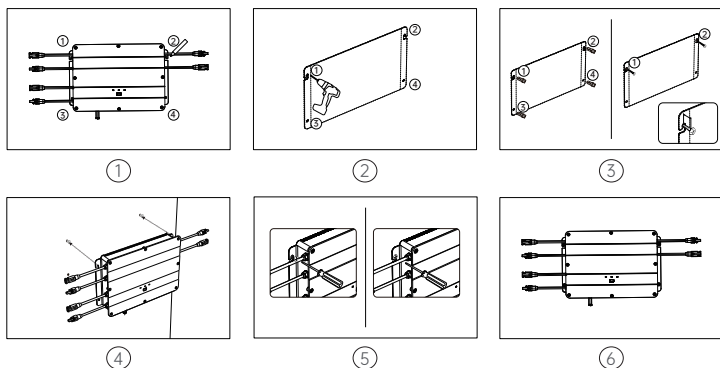
Sugerencias: Asegúrese de que el estado después de la desconexión sea el que se muestra en la siguiente figura.



5.3.4 Instalar la unidad Hub 2000

Sugerencias:

- Instale la unidad Hub 2000 en un lugar donde no le dé la luz solar directa.
- La longitud de nuestros cables solares es de 3 metros (es necesario adquirirlos por separado). Por tanto, antes de confirmar la ubicación de la instalación de la unidad Hub 2000, mida la distancia desde el conector MC4 del panel solar al conector MC4 de dicha unidad.
- La unidad Hub 2000 no viene con una antena Wi-Fi instalada. Instale la antena Wi-Fi en su Smart PVHub antes de montarlo en la pared.

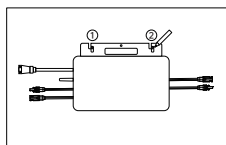


- ① Marque la ubicación. Busque una pared en la que pretenda realizar la instalación. Una persona fijará la unidad Hub 2000 a la pared con las manos y la otra marcará las posiciones de los cuatro orificios para tornillos de dicha unidad con un rotulador.
- ② Taladrado. Perfore cuatro orificios de montaje de 8 mm de diámetro en las cuatro posiciones marcadas.
- ③ Instale los tornillos. Instale los tacos de expansión de plástico amarillos en los 4 orificios taladrados en el paso 3 y, a continuación, atornille 2/3 de los tornillos ① y ② en los tacos correspondientes.
- ④ Cuelgue la unidad Hub 2000 en la parte expuesta del tornillo ① y ②.
- ⑤ Una persona fija la unidad Hub 2000 con ambas manos y la otra atornilla el resto de los tornillos ① y ② en la pared por completo.
- ⑥ Instale otros dos tornillos, 3 y 4, en el taco de expansión de plástico amarillo y completamente en la pared. De esta manera, habrá completado la instalación de la unidad Hub 2000.

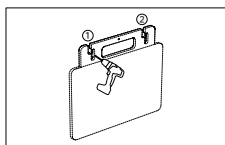
5.3.5 Instalar el microinversor

Sugerencias: El método de montaje está sujeto a las instrucciones del microinversor.

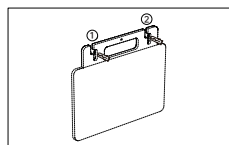
- Para reducir las conexiones, se recomienda instalar el microinversor entre la unidad Hub 2000 y el enchufe de la casa, cerca del PV Hub.
- Asegúrese de dejar una distancia de al menos 50 mm entre la unidad Hub 2000 y el microinversor para disipar el calor.



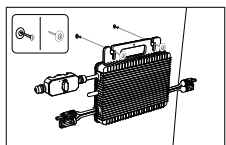
①



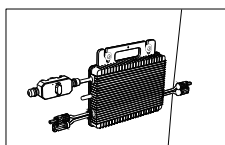
②



③



④

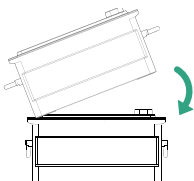


⑤

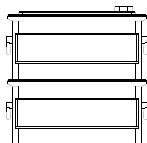
- ① Marque la ubicación. Busque una posición junto a la unidad Hub 2000. Una persona fijará el microinversor a la pared con las manos y la otra marcará las posiciones de los dos orificios para tornillos del microinversor con un rotulador.
- ② Taladrado. Perfore dos orificios de montaje de 8 mm de diámetro en las dos posiciones marcadas.
- ③ Instalación de los tacos de expansión de plástico amarillos para tornillos. Instale el taco de expansión de plástico amarillo para tornillos en los dos orificios que se perforaron en el paso 2.
- ④ Instalación del microinversor. Una persona fija el microinversor con ambas manos en la pared y alinea la perforación del orificio del paso 2. A continuación, coloca las arandelas planas en los tornillos y, por último, atornilla los tornillos ① y ② con la arandela plana en el taco de expansión de plástico amarillo.
- ⑤ Apriete los tornillos. Atornille el resto de los tornillos ① y ② en la pared completamente. A continuación, habrá completado la instalación del microinversor.

5.3.6 Apilar las baterías AB1000 o AB2000

Antes de apilar las baterías AB1000 o AB2000, preste atención a la nota que aparece en sus partes superiores.



①



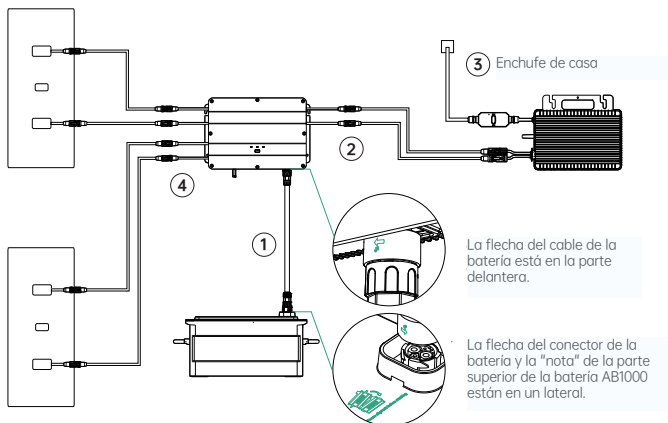
②

- ① Retire las cubiertas protectoras de plástico del puerto de conexión y, a continuación, alinee primero el lado izquierdo.
 - ② Inserte lentamente el puerto de conexión de la batería.
- Sugerencias: Su Hub 2000 solamente puede conectarse a una SuperBase V sin Batería satelital, o solamente a una Batería satelital sin SuperBase V. No se admiten varias baterías.

5.3.7 Conexión con cables

Sugerencias: Antes de conectar el cable, asegúrese de que el producto esté apagado. Mantenga presionado el botón IOT durante 6 segundos para apagar su SolarFlow. Si la batería es una batería SuperBase V o se trata de la Batería satelital y sigue funcionando, mantenga presionado también su botón de alimentación durante 3 segundos para apagarla.

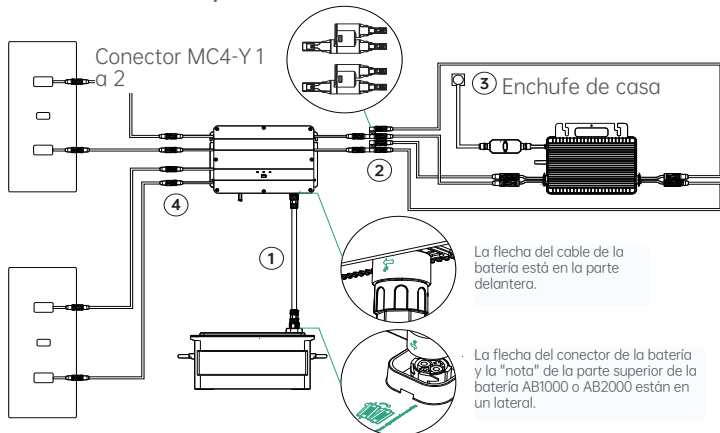
Conexión del cable para microinversor 1 en 1



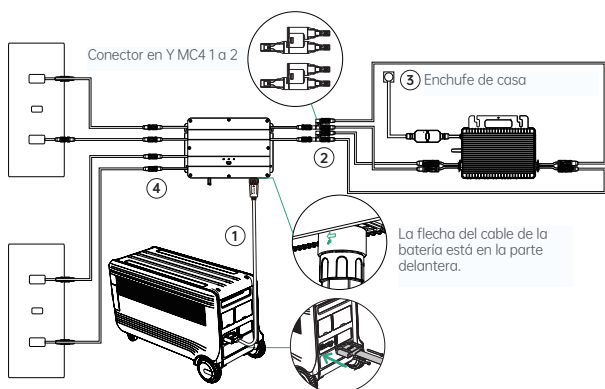
- ① Conecte su AB1000, AB2000, SuperBase V o la Batería satelital a la unidad Hub 2000 mediante el cable de batería. Los terminales del cable de batería cuentan con la función de autobloqueo. (Asegúrese de apretar los tornillos del conector para conseguir una conexión segura con su SuperBase V o Batería satelital).
- ② Conecte la unidad Hub 2000 al microinversor mediante el cable de este.
- ③ Conecte el microinversor a la toma de casa mediante el cable original.
- ④ Conecte el panel solar a la unidad Hub 2000.

Sugerencias: Debe conectar primero su AB1000, AB2000, SuperBase V o la Batería satelital y después conectar los paneles solares.

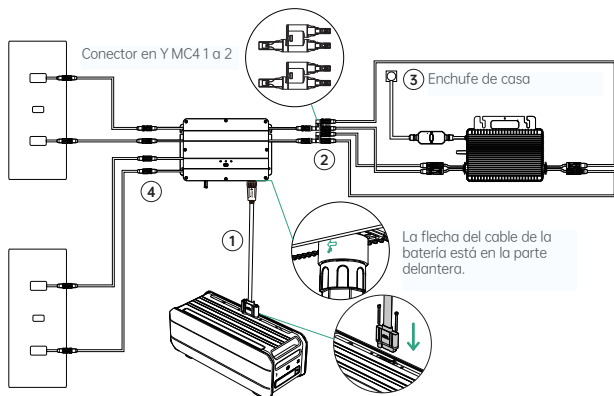
Conexión del cable para microinversor 2 en 1



Conexión del cable para SuperBase V



Conexión del cable para la Batería satelital



- ① Conecte su AB1000, AB2000, SuperBase V o la Batería satelital a la unidad Hub 2000 mediante el cable de batería. Los terminales del cable de batería cuentan con la función de autobloqueo. (Es necesario apretar los tornillos del conector entre la conexión con su SBV o la Batería satelital).
- ② Para conectar la unidad Hub 2000 al microinversor, enchufe primero el "conector MC4 1 a 2" a la unidad Hub 2000 y, a continuación, realice la conexión con el microinversor.
- ③ Cable del microinversor y otros 2 cables de expansión MC4.
- ④ Conecte el microinversor a la toma de corriente doméstica con su cable original. Conecte el panel solar a la unidad Hub 2000.

Sugerencias:

- Debe conectar primero su AB1000, AB2000, SuperBase V o la Batería satelital y después conectar los paneles solares.
- Después de completar la conexión, encienda su SolarFlow
 - 1) Si la batería es AB1000 o AB2000, presione el botón IOT durante 2 segundos para activarla.
 - 2) Si la batería es SuperBase V o la Batería satelital, presione el botón de alimentación durante 1 segundo para encender dicha batería, abra la aplicación, mantenga presionado el botón IOT de la batería durante 3 segundos para finalizar el emparejamiento y, por último, coloque el conmutador paralelo para suministrar energía a la unidad Hub 2000.

5.3.8 Descarga de la aplicación Zendure

La aplicación Zendure ofrece a los usuarios la capacidad de asignar la potencia a AB1000, AB2000, SuperBase V o a la Batería satelital sy a la red doméstica y supervisar la generación de energía. La potencia del microinversor se puede configurar en un intervalo de entre 100 y 1200 W. Lea la guía del usuario de la aplicación Zendure y acceda al vínculo de descarga aquí: <https://zendure.com/pages/download-center>.



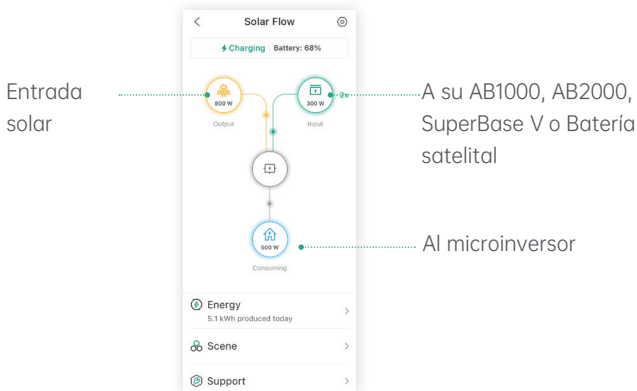
Política de privacidad

Al utilizar los productos, las aplicaciones y los servicios de Zendure, acepta los términos de uso y la política de privacidad de Zendure, a los que puede acceder a través de la sección "Acerca de" de la página "Usuario" en la aplicación Zendure.

* Agregar un dispositivo y actualizar a la versión de firmware más reciente
Si usa el dispositivo por primera vez, debe actualizar el firmware a través de la aplicación Zendure. Para obtener más información, consulte la guía del usuario de la aplicación Zendure.

* Establecer la potencia para el microinversor

La potencia de entrada solar máxima del sistema SolarFlow es de 800 W. Puede establecer la potencia para el microinversor y el exceso de potencia se almacenará automáticamente en la batería. Por ejemplo:
Si la entrada solar total es de 800 W, y establece 200 W para el microinversor, habrá una entrada de 600 W para su AB1000, AB2000, SuperBase V o la Batería satelital.



Sugerencias:

- El sistema tarda un tiempo en conectarse a la red y unos 20 minutos en sincronizar los datos con la aplicación Zendure. Por tanto, después de la instalación, espere 20 minutos antes de ir a la configuración de la aplicación.
- Se recomienda almacenar en la batería tanta energía como sea posible durante el día, excepto el consumo de energía básico. La forma de conocer el consumo de energía básico es la siguiente:
 1. Calcule el consumo de los dispositivos que siempre usa durante el día o las 24 horas del día, como frigoríficos, enrutadores y dispositivos de reserva.
 2. Vaya a la caja del medidor justo antes de acostarse, anote la lectura actual del medidor y la hora. Nada más levantarte, anote la lectura del contador y la hora. Puede calcular su carga base a partir del consumo y el tiempo transcurrido.
 3. Puede utilizar un enchufe de medición que conecte entre el enchufe y el consumidor de energía. Para calcular la carga base, recopile los vatios consumidos de todos los dispositivos que están en funcionamiento constante (incluido el modo de espera) y sume los valores.

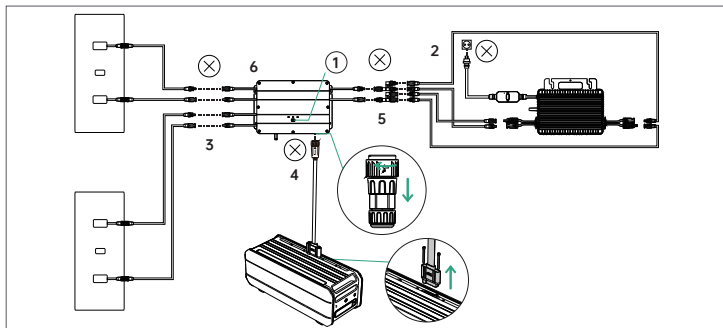
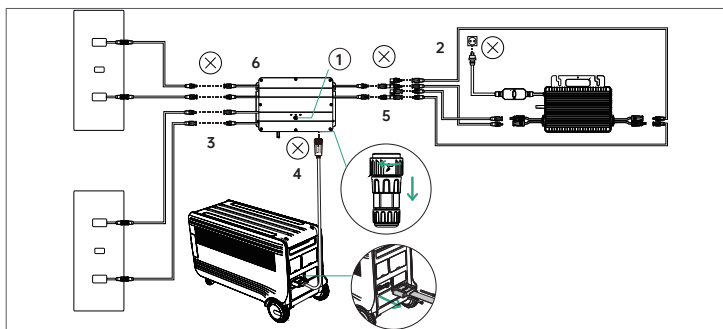
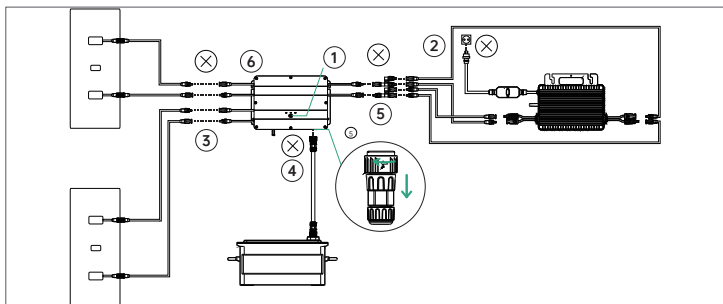
5.3.9 Desconexión de SolarFlow

Sugerencias:

Antes de desconectar, apague su SolarFlow.

Mantenga presionado el botón IOT durante 6 segundos para apagar su SolarFlow.

Si la batería es una batería SuperBase V o se trata de la Batería satelital y sigue funcionando, mantenga presionado también su botón de alimentación durante 3 segundos para apagarla.



- ① Primero, apague su SolarFlow. Mantenga presionado el botón IOT durante 6 segundos para apagar su SolarFlow.
Si la batería es SuperBase V o se trata de la Batería satelital, entonces mantenga presionado también su botón de alimentación durante 6 segundos para apagarla.
- ② Desconexión de la red doméstica. Desenchufe los cables del microinversor y el enchufe de casa.
- ③ Desconexión de paneles solares. Desenchufe los cables de los dos paneles solares y de la unidad Hub 2000.
- ④ Desconexión de su AB1000, AB2000, SuperBase V o la Batería satelital. Desconecte los cables de la unidad Hub 2000 y de su AB1000, AB2000, SuperBase V o Batería satelital.
- ⑤ Desconexión del microinversor. Desenchufe los cables del microinversor y de la unidad Hub 2000.
- ⑥ Desatornille los tornillos de montaje de la unidad Hub 2000 y del microinversor y quite ambos dispositivos de la pared.

Sugerencias: Durante el desmontaje, preste atención a donde guarda todas las piezas y consérvelas para su reinstalación.

Contacto

Si tiene alguna pregunta, póngase en contacto con nosotros mediante el método que se indica a continuación.

Correo electrónico:

support@zendure.com

support-eu@zendure.com

Línea de atención al cliente (EE. UU.):

+1(800)991-6148, de lunes a viernes de 07:00 a 16:00, hora del Pacífico (excepto festivos)

Línea de atención al cliente (UE):

+49-800-627-3067, de lunes a viernes de 09:00 a 18:00, hora del Pacífico (excepto festivos)

Sitio web del centro de soporte técnico:

EE. UU.: Support.zendure.com

ALEMANIA: Support.zendure.com/portal/de

Cómo reclamar la garantía

Envíe un correo electrónico con la siguiente información a nuestro correo electrónico de servicio de atención al cliente:

1. Número de pedido y justificante de compra.
2. Número de serie.
3. Vídeo o foto de cualquier fenómeno defectuoso o daño en el producto.
4. Número de contacto: Teléfono o correo electrónico.



Estimado cliente de Zendure, escanee el código QR para obtener siempre información actualizada sobre la existencia, validez y caducidad de la garantía.

ESCLUSIONE DI RESPONSABILITÀ

Leggere attentamente tutte le linee guida sulla sicurezza, le avvertenze e le altre informazioni sul prodotto contenute nel presente manuale e leggere etichette o adesivi attaccati al prodotto prima dell'uso. Gli utenti si assumono la piena responsabilità per l'uso e il funzionamento sicuri di questo prodotto. Acquisire familiarità con le normative pertinenti nella propria area. L'utente è l'unico responsabile della conoscenza di tutte le normative pertinenti e dell'utilizzo dei prodotti Zendure in modo conforme. Conservare il presente manuale per consultazioni future.

INDICE

1. Operazioni preliminari	73
2. Specifiche.....	73
3. ISTRUZIONI DI SICUREZZA	75
3.1 Utilizzo	75
3.2 DICHIARAZIONE FCC	76
3.3 DICHIARAZIONE DI CONFORMITÀ CE	76
4. Suggerimenti importanti	77
5. Operazioni preliminari	78
5.1 Contenuto della confezione	78
5.2 Descrizione del prodotto	78
5.3 Installazione	82
5.3.1 Descrizione delle procedure di installazione	82
5.3.2 Strumenti di installazione	82
5.3.3 Scollegamento.....	82
5.3.4 Installazione di Hub 2000	84
5.3.5 Installazione del microinverter.....	84
5.3.6 Impilare AB1000 o AB2000	85
5.3.7 Collegamento con cavi	86
5.3.8 Download dell'app Zendure	88
5.3.9 Scollegamento di SolarFlow	89

1. Operazioni preliminari

Le informazioni contenute in questo documento sono soggette a cambiamenti senza preavviso.

Per la versione più recente, visitare il sito:

<https://zendure.com/pages/download-center>.

2. Specifiche

Il sistema SolarFlow include Hub 2000 e batteria aggiuntiva AB1000 o AB2000 o batteria SuperBase V o Satellite. SolarFlow e microinverter costituiscono un piccolo sistema di accumulo di energia PV connesso alla rete, che mira ad aiutare gli utenti a risparmiare sulle bollette di energia elettrica.

Questo prodotto non può essere utilizzato durante le interruzioni di corrente.

Nome	Hub 2000
Modello	ZDHUB2000
Peso	≈ 5,2 kg
Dimensioni (L*P*A)	363×246×64 mm
Tipo wireless	Bluetooth, Wi-Fi a 2,4 GHz e 5 GHz
Grado IP	IP65
Garanzia	10 anni
Ingresso PV	
Potenza di ingresso consigliata	1200 W ciascuno
Tensione CC di ingresso max.	60 V
Gamma di tensione MPPT	16-60 V
Gamma di tensione a piena potenza MPPT	35-60 V
Tensione di ingresso CC min.	16 V
Corrente di ingresso max.	2*26 A
Numero di MPPT	2
Uscita a microinverter	
Potenza consigliata del microinverter	400-1200 W
Potenza di uscita nominale	1200 W:
Potenza di uscita del microinverter max.	1200 W:
Corrente di uscita nominale	30 A
Gamma di tensione nominale	16-60 V
Efficienza	
Efficienza di uscita	98%
Efficienza di rilevamento MPPT	99%
Temperatura di esercizio (° C)	-20-45 ° C
Ingresso da AB2000	
Potenza di ingresso max.	1200 W:
Corrente di ingresso max.	25 A
Tensione nominale	48 V
Uscita a AB2000	
Potenza di ingresso max.	1200 W / 1800 W (≥2*AB2000)
Corrente di ingresso max.	25 A / 37,5 A (≥2*AB2000)
Intervallo di tensione	42-54,75 V
Ingresso da AB1000	
Potenza di ingresso max.	1200 W:
Corrente di ingresso max.	25 A
Tensione nominale	48 V
Uscita a AB1000	
Potenza di ingresso max.	800 W:
Corrente di ingresso max.	16,6 A
Intervallo di tensione	42-54,75 V
Ingresso da batteria SuperBase V o Satellite	

Potenza di ingresso max.	1200 W:
Corrente di ingresso max.	25 A
Intervallo di tensione	45-58,4 V
Uscita a batteria SuperBase V o Satellite	
Potenza di ingresso max.	1800 W:
Corrente di ingresso max.	37,5 A
Tensione nominale	45-58,4 V

Il controller Hub 2000 non include una batteria e la batteria deve essere acquistata separatamente. Per ulteriori informazioni sulla batteria AB1000 o AB2000 o sulla batteria SuperBase V o Satellite, consultare il manuale utente di AB1000 o AB2000 o della batteria SuperBase V o Satellite.

3. ISTRUZIONI DI SICUREZZA

3.1 Utilizzo

1. Controllare se SolarFlow è danneggiato, incrinato, presenta perdite di liquido, calore o altre anomalie oppure se i cavi sono danneggiati prima dell'uso. In tal caso, interrompere immediatamente l'utilizzo del prodotto e contattare la nostra assistenza clienti.
2. Mantenere una distanza di 50 mm tra Hub 2000 e altri oggetti.
3. Durante il funzionamento del sistema a energia solare, evitare la luce solare diretta per prevenire il surriscaldamento del sistema SolarFlow. Non posizionare SolarFlow vicino a fonti di calore.
4. Non utilizzare in presenza di forte elettricità statica o campi magnetici.
5. È vietato collocare l'apparecchiatura in un ambiente con gas infiammabili, esplosivi o fumo. Poiché SolarFlow utilizza la copertura per dissipare il calore, il surriscaldamento della copertura causa danni.
6. Evitare di affidare la sostituzione dei componenti interni dell'apparecchiatura a personale non autorizzato.
7. Installare il prodotto attenendosi al nostro manuale d'uso per evitare danni al prodotto o lesioni ad altre persone.
8. Prima di terminare l'installazione, assicurarsi che il cavo solare e il cavo del microinverter alla rete domestica siano scollegati.
9. Assicurarsi che Hub 2000 e microinverter siano installati saldamente per evitare incidenti e danni al prodotto causati dalla caduta.
10. SolarFlow dispone di un grado di protezione IP65, quindi il prodotto non può essere immerso in liquidi. Se il prodotto cade accidentalmente in acqua durante l'uso, posizionarlo in un'area sicura e aperta e storne lontano finché non è completamente asciutto. Il prodotto asciugato non deve essere riutilizzato e deve essere smaltito correttamente secondo la guida allo smaltimento del presente manuale.
11. Garantire una ventilazione adeguata durante l'uso. Una ventilazione inadeguata potrebbe causare danni permanenti all'apparecchiatura.
12. Non collocare alcun oggetto sopra SolarFlow. Installarlo in un punto in cui nessuno possa toccarlo.
13. Non spostare o agitare l'unità durante il funzionamento poiché le vibrazioni e gli urti improvvisi potrebbero causare collegamenti scadenti all'hardware interno.

14. In caso di incendio, solo un estintore a polvere secca è adatto al prodotto.
15. Pulire le porte esclusivamente con un panno asciutto.
16. Tenere lontano dalla portata di bambini e animali domestici.
17. Per motivi di sicurezza, utilizzare esclusivamente il caricatore e i cavi originali progettati per l'apparecchiatura. Non siamo responsabili dei danni causati da apparecchiature di terzi e potrebbero invalidare la garanzia.

3.2 DICHIARAZIONE FCC

Questo dispositivo è conforme alla Parte 15 delle Norme FCC. Il funzionamento è soggetto alle seguenti due condizioni:

- (1) Questo dispositivo non può provocare interferenze dannose e
- (2) Questo dispositivo deve poter ricevere qualsiasi interferenza, incluse quelle che possono causare un funzionamento indesiderato.

Gli eventuali cambiamenti o modifiche che non siano espressamente approvati dalla parte responsabile della conformità potrebbero rendere nullo il diritto all'utilizzo dell'apparecchio da parte dell'utente.

NOTA:

Questo apparecchio è stato collaudato e trovato conforme ai limiti di un dispositivo digitale di Classe B, in conformità alla Parte 15 delle Norme FCC. Tali limiti sono stati stabiliti per fornire ragionevole protezione dalle dannose interferenze in installazioni residenziali. Questo apparecchio genera, usa e può irradiare energia a radiofrequenza e, se non è installato e usato in conformità alle istruzioni, può interferire negativamente con le comunicazioni radio. Tuttavia, non si può garantire che le interferenze non si verifichino in un particolare impianto. Se questo apparecchio provoca interferenze dannose alla ricezione radiofonica o televisiva, che possono essere determinate accendendo o spegnendo l'attrezzatura, l'utente è incoraggiato a cercare di correggere l'interferenza prendendo una o più delle seguenti misure:

Cambiare l'orientamento o riposizionare l'antenna ricevente.

Aumentare la distanza tra l'apparecchio ed il ricevitore.

Collegare l'apparecchio ad una presa di corrente su un circuito diverso da quello al quale è collegato il ricevitore.

Consultare il rivenditore o un tecnico specializzato radio / TV per assistenza.

Dichiarazione FCC sull'esposizione alle radiazioni

Questo apparecchio è conforme ai limiti FCC sull'esposizione imposti per un ambiente non controllato. L'apparecchio deve essere installato ed azionato ad una distanza minima di 20 cm tra il radiatore e il corpo.

3.3 DICHIARAZIONE DI CONFORMITÀ CE

ZENDURE TECHNOLOGY CO., LIMITED dichiara che il prodotto SolarFlow (Hub 2000) è conforme alle direttive 2014/53/UE (RED), 2011/65/UE (RoHS), 2015/863/UE (RoHS).

Il testo completo della dichiarazione di conformità UE è disponibile nel seguente indirizzo web: <https://zendure.de/pages/download-center>



Dichiarazione di conformità

La Dichiarazione di conformità UE può essere richiesta all'indirizzo : <https://zendure.de/pages/download-center>



Smaltimento

Smaltire l'imballaggio. Smaltire l'imballaggio separatamente per tipologia.

Smaltire cartone e carta nei rifiuti della carta. Pellicole per la raccolta differenziata.



Smaltire le vecchie apparecchiature (si applica nell'Unione Europea e in altri Paesi europei con raccolta differenziata (raccolta dei rifiuti)). Le vecchie apparecchiature non devono essere smaltite insieme ai rifiuti domestici! Ogni consumatore è legalmente obbligato a smaltire le vecchie apparecchiature che non possono più essere utilizzate separatamente dai rifiuti domestici, ad esempio presso un punto di raccolta per materiali riciclabili.

Per garantire un corretto riciclaggio ed evitare un impatto negativo sull'ambiente, i dispositivi elettronici devono essere portati in un punto di raccolta nella propria comunità o distretto. Per questo motivo i dispositivi elettronici sono contrassegnati dal simbolo qui riportato.

4. Suggerimenti importanti



L'impianto solare fotovoltaico è collegato alla rete. Verificare se è consentito nella propria zona. A seconda della regione, potrebbe essere richiesta l'approvazione ufficiale prima o dopo l'installazione.



Hub 2000 e AB1000 devono essere protetti dalla luce solare diretta per evitare un rapido aumento della temperatura.



Controllare gli accessori prima dell'installazione. Alcuni accessori devono essere acquistati separatamente.



Dopo l'installazione, scaricare prima l'app Zendure per controllare l'elettricità prodotta e impostare la potenza del microinverter.



Dopo l'installazione di SolarFlow, occorrono circa 5 minuti prima che possa essere collegato alla rete e i dati verranno sincronizzati con l'app Zendure entro 20 minuti.



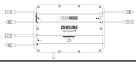
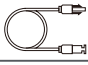
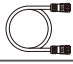




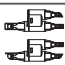
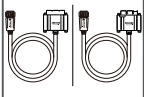
Prima di impostare l'uscita su microinverter, verificare la potenza nominale del microinverter. L'uscita su microinverter non deve essere superiore alla potenza nominale del microinverter.



Spegnere il dispositivo (tenere premuto il tasto IOT per 6 secondi per spegnere SolarFlow. Se la batteria è una batteria SuperBase V/Satellite e funziona ancora, tenere premuto il tasto di alimentazione per 3 secondi per spegnerla) per rimuovere o installare la batteria.

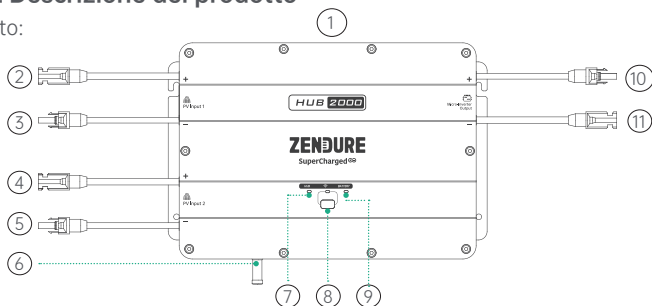
5. Operazioni preliminari

5.1 Contenuto della confezione

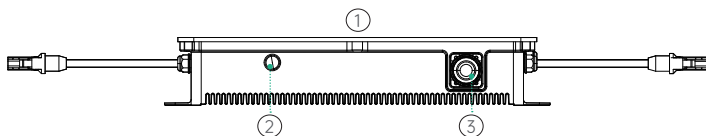
N.	Immagine	Nome	
1		Hub 2000	
2		4* Cavo del microinverter 0,6 m	Cavo del microinverter: Usato per il collegamento del microinverter.
3		Cavo della batteria da 1,5 m	Cavo della batteria: Usato per il collegamento di AB1000 o AB2000.
4		Manuale d'uso	
5		6* Viti di montaggio M4.7*39 mm	Viti di montaggio: Collegamento di Hub 2000 e microinverter.
6		1* Antenna	
7		2* Rondella piatta	Rondella piatta: Usata per fissare il microinverter.
8		Un set di connettori MC4 Y 1-2	
* 9		1* Cavo da hub a SBV o cavo da hub a batteria Satellite	* Cavo della batteria: Cavo da hub a SBV o cavo da hub a batteria Satellite (non incluso). Sarà necessario per collegare Hub 2000 a una batteria Superbase V o Satellite.

5.2 Descrizione del prodotto

Tasto:



- ① Parte superiore
- ② Elettrodo positivo ingresso PV 1 connettore MC4
- ③ Elettrodo negativo ingresso PV 1 connettore MC4
- ④ Elettrodo positivo ingresso PV 2 connettore MC4
- ⑤ Elettrodo negativo ingresso PV 2 connettore MC4
- ⑥ Antenna
- ⑦ Indicatore di stato hub
- ⑧ Tasto e indicatore IOT
- ⑨ Indicatore di stato della batteria
- ⑩ Elettrodo positivo uscita microinverter connettore MC4
- ⑪ Elettrodo negativo uscita microinverter connettore MC4



① Parte inferiore ② Porta antenna ③ Porta batteria

Connessione IoT: Dopo l'accensione di Hub 2000, l'indicatore IoT inizia a lampeggiare rapidamente e il dispositivo accede automaticamente alla connessione IoT. Gli utenti possono connettersi direttamente all'IoT sull'app Zendure.

Suggerimenti:

- Una volta associato il dispositivo alle app Zendure, quando SolarFlow viene riacceso, l'indicatore luminoso IoT lampeggia lentamente finché non riesce a comunicare con l'app Zendure.
- Per riassociare l'account e ripristinare la connessione IoT, tenere premuto il tasto IoT per 3 secondi per avviare la connessione IoT.
- Hub 2000 e AB1000 o AB2000 o batteria SuperBase V o Satellite Ripristino hardware: tenere premuto il tasto IoT per 10 secondi per ripristinare Hub 2000 e AB1000 o AB2000 o la batteria SuperBase V o Satellite.

Suggerimenti:

- Sia i pannelli solari che l'alimentatore AB1000 o AB2000 o la batteria SuperBase V o Satellite possono riattivare Hub 2000.
- Se Hub 2000 è collegato a una batteria Superbase V o Satellite, si consiglia di includere almeno un pannello solare nel sistema, collegato alla batteria utilizzando un cavo MC4 a XT-90. Ciò consente alla batteria di "riattivarsi" anche se la sua energia è completamente scarica, purché vi sia un po' di alimentazione proveniente dal pannello solare.

Se la batteria è completamente scarica, attenersi alle procedure di seguito per riattivarla.

Se è disponibile alimentazione di ingresso, premere il tasto di alimentazione per 1 secondo sulla batteria per avviare la carica.

Se non è disponibile alcuna alimentazione di ingresso, si deve prima fornire alimentazione CA alla batteria.

- Per proteggere la batteria, AB1000 o AB2000 è spento in fabbrica, quindi attivare la batteria accendendo SolarFlow per la prima volta (tenere premuto il tasto IoT per 2 secondi).
- Prima di scollegare un collegamento, spegnerre SolarFlow.

Linee guida per il funzionamento:

Suggerimenti:

Il processo di funzionamento di SolarFlow è il seguente:

In primo luogo, accendere Hub 2000 in modo che entri nello stato di funzionamento (l'indicatore Hub 2000 si accende in verde). In secondo luogo, la funzione IoT viene attivata e il dispositivo entra direttamente nello stato di connessione Wi-Fi (l'indicatore IoT lampeggia in verde). Infine, Hub 2000 invia un segnale per attivare AB1000 o AB2000 (l'indicatore AB1000 o AB2000 lampeggia in verde per 2 secondi prima di entrare in uno stato fisso).

Se si sta utilizzando una batteria Superbase V o Satellite, attenersi alle procedure di seguito per accendere Hub 2000 e stabilire la connessione IoT.

- 1) Tenere premuto il tasto di alimentazione della batteria SuperBase V o Satellite per 1 secondo per accenderlo.
- 2) Apri l'app ZENDURE, quindi tenere premuto il tasto IoT sulla batteria Superbase V o Satellite per 3 secondi.
- 3) Nell'app, accendere l'interruttore parallelo per fornire energia ad Hub 2000.
- 4) Tenere premuto il tasto IoT di Hub 2000 per 3 secondi per terminare la connessione.

Linee guida per il funzionamento:

Elemento	Elemento	Come	LED
Hub 2000	Accensione	Collegare PV o AB1000 o AB2000 o la batteria SuperBase V o Satellite.	L'indicatore Hub 2000 si accende in verde
	Interruzioni di alimentazione	Scollegare PV o AB1000 o AB2000 o la batteria SuperBase V o Satellite.	Tutti gli indicatori non accesi
	Avviare la connessione IoT	Dopo l'accensione di Hub 2000	L'indicatore IoT lampeggia lentamente in verde
	Connessione IoT	Dopo l'accensione di Hub 2000	L'indicatore IoT lampeggia in verde
	Terminare la connessione IoT	/	L'indicatore IoT lampeggia in verde
	Ripristinare la connessione IoT	Tenere premuto il tasto IoT per 3 secondi	L'indicatore IoT lampeggia in verde
	Disattivare IoT	Tenere premuto il tasto IoT per 1 secondo	Indicatori IoT non accesi
	Attivare IoT	Tenere premuto il tasto IoT per 1 secondo	L'indicatore IoT lampeggia in verde
	promemoria sovratensione / promemoria sovracorrente / promemoria cortocircuito / promemoria errore	Interrompere immediatamente l'uso, controllare le informazioni dettagliate sull'errore nell'app Zendure e contattare l'assistenza clienti	L'indicatore Hub 2000 lampeggia in verde
AB1000 o AB2000 o batteria SuperBase V o Satellite	Collegamento di AB1000 o AB2000	Dopo l'accensione di Hub 2000	L'indicatore AB1000 o AB2000 lampeggia in verde per 2 secondi, quindi rimane acceso in verde
	Ricarica di AB1000 o AB2000 o della batteria SuperBase V o Satellite	/	1) L'indicatore AB1000 o AB2000 lampeggia in verde. 2) Superbase V visualizza la potenza di ingresso sullo schermo. 3) Il tasto di alimentazione della batteria Satellite lampeggia.
	Capacità restante di AB1000 o AB2000 o della batteria SuperBase V o Satellite	Visualizzare sull'app Zendure, scaricare l'app Zendure e associare Solar Flow. Le batterie Superbase V e Satellite appaiono anche sul display.	/
	promemoria di carica bassa	Visualizzare sull'app Zendure, scaricare l'app Zendure e associare Solar Flow	AB1000 o AB2000: L'indicatore diventa rosso. Batteria SuperBase V o Satellite: La ghiera di alimentazione o l'indicatore di alimentazione lampeggiano per 30 secondi quando lo stato di carica (SOC) è basso (dal 10% al 20%). Inoltre, viene emesso un segnale acustico 5 volte quando il SOC scende al 5%.
	Avviso temperatura bassa	Attendere che la temperatura sia normale prima dell'uso	1) Indicatore AB1000 o AB2000 acceso in rosso. 2) Batteria SuperBase V o Satellite: L'avviso di temperatura bassa o alta lampeggia sullo schermo.
	Avviso temperatura elevata		
	promemoria sovratensione / promemoria sovracorrente / promemoria cortocircuito / promemoria errore	Interrompere immediatamente l'uso, controllare le informazioni dettagliate sull'errore nell'app Zendure e contattare l'assistenza clienti	AB1000 o AB2000: L'indicatore diventa rosso. SuperBase V: Il guasto della batteria e il codice di errore lampeggiano sul display. Batteria Satellite: L'indicatore di stato si accende.

Elemento	Come	LED
Accendere SolarFlow	Se la batteria è AB1000 o AB2000, tenere premuto il tasto IoT per 2 secondi per attivarla. Se la batteria è Superbase V o Satellite, tenere premuto il tasto di alimentazione per 1 secondo per attivare la batteria Superbase V o Satellite, aprire l'app Zendure, quindi tenere premuto il tasto IoT sulla batteria Superbase V o Satellite per 3 secondi. Quindi, utilizzando l'app, accendere l'interruttore parallelo per fornire alimentazione ad Hub 2000.	<ul style="list-style-type: none"> • L'indicatore Hub 2000 si accende in verde • L'indicatore IoT lampeggia in verde • L'indicatore AB1000 o AB2000 lampeggia in verde per 2 secondi, quindi rimane acceso in verde
Spegnere SolarFlow	Tenere premuto il tasto IoT per 6 secondi per disattivare Solarflow. Se il sistema include una batteria Superbase V o Satellite e quel dispositivo è ancora in esecuzione, tenere premuto il tasto di alimentazione per 3 secondi per spegnerlo.	Tutti gli indicatori non accesi
Ripristino hardware di Hub 2000 e AB1000 o AB2000 o della batteria SuperBase V o Satellite	Tenere premuto il tasto IoT per 10 secondo	/
OTA di Hub 2000 e AB1000 o AB2000 o della batteria SuperBase V o Satellite	Scaricare l'app Zendure su OTA	/

Suggerimenti:

- Scegliere Bluetooth o Wi-Fi sull'app Zendure, Wi-Fi è preferibile.
- Quando Hub 2000 è collegato a una batteria SuperBase V o Satellite e l'alimentazione viene fornita all'ingresso solare, Hub 2000 si accende automaticamente. Se nessuna batteria viene collegata entro 5 minuti, Hub 2000 passa inizialmente alla modalità bypass e convoglia l'alimentazione al microinverter (con un'uscita predefinita di 200 W, determinata nell'app Zendure). Tuttavia, se viene collegata una batteria SuperBase V o Satellite entro questo intervallo di 5 minuti, SolarFlow continua a funzionare nella modalità predefinita.

Se Hub 2000 è collegato a una batteria SuperBase V o Satellite e riceve ancora energia solare in ingresso dopo essere stato spento, si riaccende dopo 10 minuti e funziona in modalità bypass, convogliando l'alimentazione al microinverter a un valore predefinito di 200 W (determinato nell'app Zendure).

Se Hub 2000 perde la connessione Wi-Fi mentre riceve energia solare, passa automaticamente alla modalità bypass e trasmette alimentazione al microinverter con un valore predefinito di 200 W (determinato dall'app Zendure).

5.3 Installazione

- Per verificare e mettere in servizio immediatamente l'impianto solare, completa l'installazione quando il tempo è soleggiato.
- Si raccomanda che almeno due persone partecipino all'installazione.
- Ricordare se si collega o si scollega Hub 2000 con AB1000 o AB2000 o la batteria SuperBase V o Satellite, pannelli solari o microinverter, assicurarsi che SolarFlow sia spento come indicato di seguito.
- Tenere premuto il tasto IoT per 6 secondi per disattivare Solarflow. Se la batteria è SuperBase V / Satellite Battery e funziona ancora, tenere premuto il tasto di alimentazione per 3 secondi per spegnerla.

5.3.1 Descrizione delle procedure di installazione

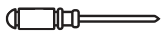
- Scollegare il pannello solare, il microinverter e la rete domestica
- Installare Hub 2000
- Installare il microinverter smart
- Trovare un punto in cui impilare AB1000 o AB2000 o la batteria SuperBase V o Satellite
- Collega la parte superiore di AB1000 o AB2000 o della batteria SuperBase V o Satellite ad Hub 2000
- Collegare il microinverter alla rete domestica
- Collegare i pannelli solari ad Hub 2000
- Eseguire la scansione del codice QR e scaricare l'app Zendure. Osservare le istruzioni dell'app per configurare il dispositivo. Dopo 20 minuti, si riceveranno i dati del sistema di accumulo di energia SolarFlow sull'app Zendure.

Suggerimenti:

In conformità alle normative del governo e per garantire la sicurezza, il microinverter può iniziare a funzionare solo una volta collegato a una rete elettrica per 5 minuti. Per migliorare l'accuratezza dei dati, il sistema li verifica e li convalida per 15 minuti prima di mostrarli sull'app.

5.3.2 Strumenti di installazione

Prima dell'installazione, controllare tutti gli accessori e preparare i seguenti strumenti (gli strumenti non sono inclusi nella confezione)



Cacciavite a croce



Chiave esagonale



Guanti di lavoro



Trapano elettrico



Pennarello

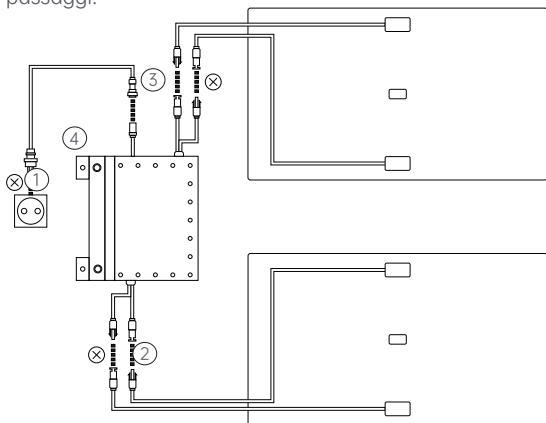


Metro a nastro

5.3.3 Scollegamento

Suggerimenti: il metodo di smontaggio è soggetto alle istruzioni del microinverter. Verificare i termini di garanzia del microinverter prima dello smontaggio.

Se si è installato l'impianto solare nel balcone, scollegarlo attenendosi ai seguenti passaggi:



① Scollegare i cavi del microinverter e della rete domestica.

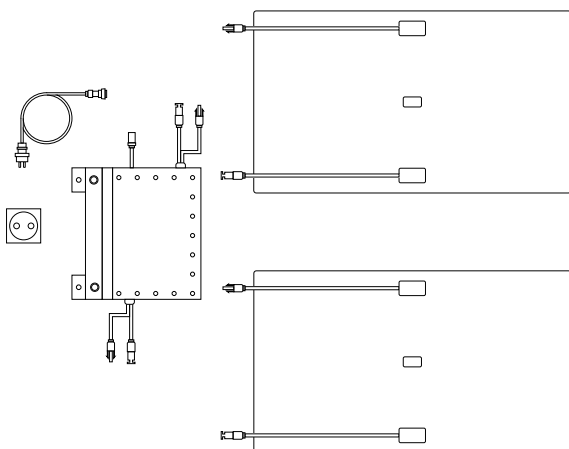
② Scollegare solo i cavi del primo pannello solare e del microinverter.

Suggerimenti: Non è necessario spostare l'installazione del pannello solare a meno che non si desideri modificare la posizione.

③ Scollegare allo stesso modo i cavi del secondo pannello solare e del microinverter.

④ Svitare le viti di montaggio del microinverter. Rimuovere il microinverter fissato sul pannello solare o sulla staffa metallica.

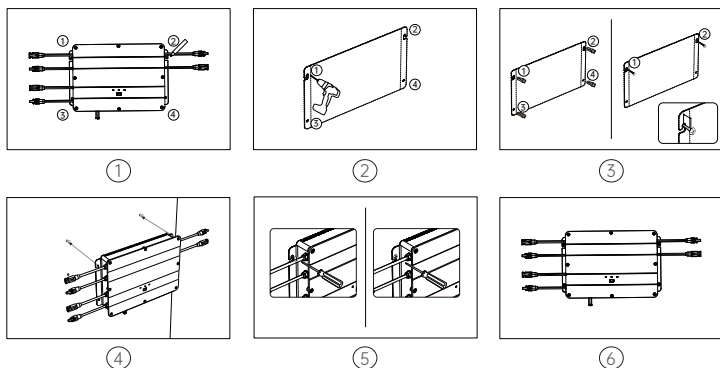
Suggerimenti: Assicurarsi che lo stato dopo lo scollegamento sia come mostrato nella figura seguente.



5.3.4 Installazione di Hub 2000

Suggerimenti:

- Installare Hub 2000 in un luogo non esposto alla luce solare diretta.
- La lunghezza dei nostri cavi solari è di 3 metri (da acquistare a parte), quindi prima di verificare la posizione di installazione di Hub 2000, misurare la distanza dal connettore MC4 del pannello solare al connettore MC4 di Hub 2000.
- Hub 2000 non dispone di un'antenna Wi-Fi installata. Installare l'antenna Wi-Fi su Smart PVHub prima di montarlo a parete.

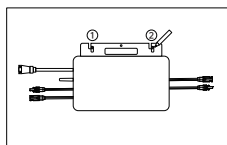


- ① Contrassegnare la posizione, trovare una parete su cui effettuare l'installazione. Una persona fissa Hub 2000 alla parete con le mani e l'altra contrassegna le posizioni dei quattro fori per viti di Hub 2000 con un pennarello.
- ② Foratura: praticare quattro fori di montaggio di diametro 8 mm nelle quattro posizioni contrassegnate.
- ③ Installazione delle viti: in primo luogo, installare rispettivamente il tubo della vite di espansione in plastica gialla nei 4 fori della fase 3 di perforazione, quindi avvitare 2/3 delle viti ① e ② nel tubo di espansione in plastica gialla.
- ④ Appendere Hub 2000: appendere Hub 2000 sulla parte esposta delle viti ① e ②.
- ⑤ Una persona fissa Hub 2000 alla parete con entrambe le mani e l'altra avvita completamente le viti ① e ② nella parete.
- ⑥ Installare le altre due viti 3 e 4 nel tubo di espansione in plastica gialla e completamente nella parete. In tal modo, si è completata l'installazione di Hub 2000.

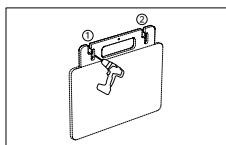
5.3.5 Installazione del microinverter

Suggerimenti: Il metodo di montaggio è soggetto alle istruzioni del microinverter.

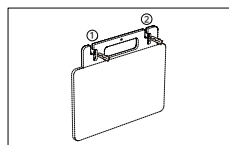
- Per ridurre il numero di collegamenti, si consiglia di installare il microinverter tra Hub 2000 e la presa domestica, vicino a PV Hub.
- Garantire una distanza di almeno 50 mm tra Hub 2000 e microinverter per dissipare il calore.



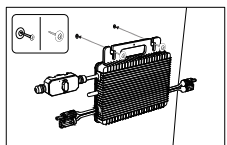
①



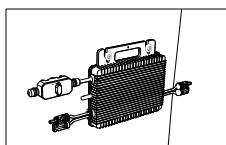
②



③



④

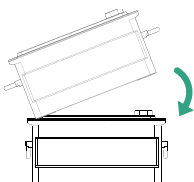


⑤

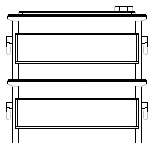
- ① Contrassegnare la posizione, trovare una posizione accanto a Hub 2000. Una persona fissa il microinverter alla parete con le mani e l'altra contrassegna le posizioni dei due fori per viti del microinverter con un pennarello.
- ② Foratura: praticare due fori di montaggio di diametro 8 mm nelle due posizioni contrassegnate.
- ③ Installazione del tubo delle viti di espansione in plastica gialla: installare rispettivamente il tubo della vite di espansione in plastica gialla nei due fori del passo 2 di perforazione.
- ④ Installazione del microinverter: una persona fissa il microinverter con entrambe le mani alla parete e allinea la perforazione del foro nel passo 2, quindi inserisce le rondelle piatte sulle viti, infine avvita le viti ① e ② con la rondella piatta nel tubo di espansione in plastica gialla.
- ⑤ Serrare le viti, avvitarle completamente le restanti viti ① e ② alla parete. Quindi, si è completata l'installazione del microinverter.

5.3.6 Impilare AB1000 o AB2000

Prima di impilare AB1000 o AB2000, prestare attenzione alla nota sulla parte superiore di AB1000 o AB2000.



①



②

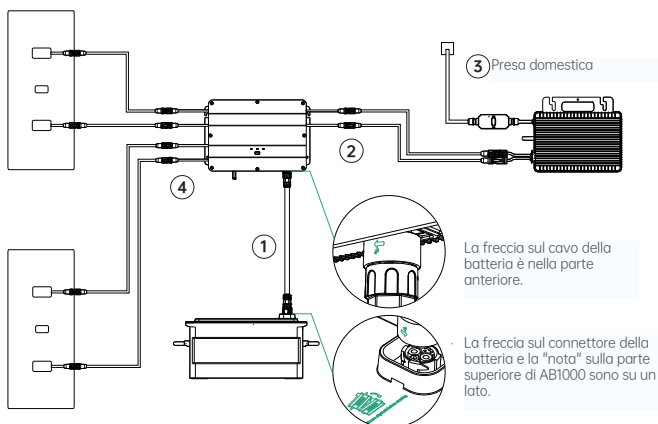
- ① Rimuovere le coperture protettive in plastica sulla porta di collegamento, quindi allineare prima il lato sinistro.
 - ② Inserire lentamente la porta di collegamento della batteria.
- Suggerimenti: Hub 2000 può essere collegato solo a una batteria SuperBase V senza batteria Satellite, oppure può essere collegato solo a una batteria Satellite senza batteria SuperBase V. Non sono supportate batterie multiple.

5.3.7 Collegamento con cavi

Suggerimenti: prima di collegare il cavo, assicurarsi che il prodotto sia spento. Tenere premuto il tasto IoT per 6 secondi per disattivare Solarflow.

Se la batteria è SuperBase V / Satellite Battery e funziona ancora, tenere premuto il tasto di alimentazione per 3 secondi per spegnerla.

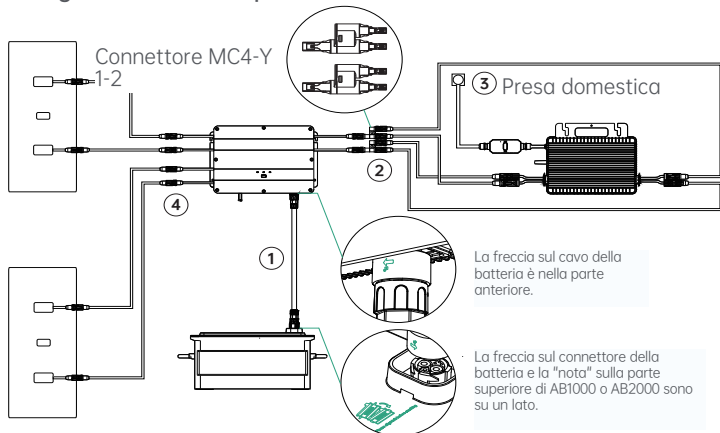
Collegamento via cavo per microinverter 1 in 1



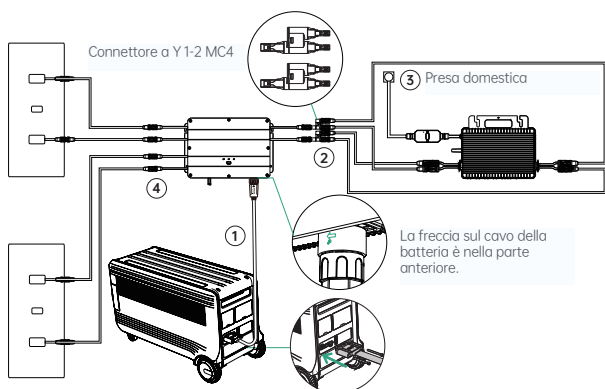
- ① Collegare AB1000 o AB2000 o la batteria SuperBase V o Satellite ad Hub 2000. I terminali del cavo della batteria possono essere autobloccanti. Quando si avverte un clic, si è inserito correttamente il cavo della batteria (assicurarsi di serrare le viti del connettore per un collegamento sicuro alla batteria SuperBase V o Satellite).
- ② Collegare Hub 2000 al microinverter con il cavo del microinverter.
- ③ Collegare il microinverter alla presa domestica con il cavo originale.
- ④ Collegare il pannello solare ad Hub 2000.

Suggerimenti: È necessario collegare prima AB1000 o AB2000 o la batteria SuperBase V o Satellite, quindi i pannelli solari.

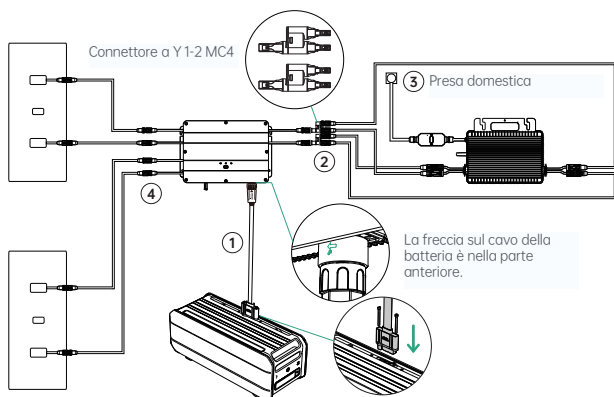
Collegamento via cavo per microinverter 2 in 1



Collegamento del cavo per SuperBase V



Collegamento del cavo per batteria Satellite



- ① Collegare AB1000 o AB2000 o la batteria SuperBase V o Satellite ad Hub 2000 con il cavo della batteria. I terminali del cavo della batteria possono essere autobloccanti. Quando si avverte un clic, si è inserito correttamente il cavo della batteria (è necessario serrare le viti del connettore tramite il collegamento con SBV o batteria Satellite).
- ② Collegare Hub 2000 al microinverter. Prima collegare il "connettore MC4 1-2" ad Hub 2000, quindi al microinverter con
- ③ il cavo del microinverter e altri 2 cavi di espansione MC4.
- ④ Collegare il microinverter alla presa domestica con il cavo originale. Collegare il pannello solare ad Hub 2000.

Suggerimenti:

- È necessario collegare prima AB1000 o AB2000 o la batteria SuperBase V o Satellite, quindi i pannelli solari.
- Dopo aver completato il collegamento, accendere SolarFlow
 - 1) Se la batteria è AB1000 o AB2000, premere il tasto IOT per 2 secondi per accenderla.
 - 2) Se la batteria è SuperBase V o Satellite, premere il tasto di alimentazione per 1 secondo per accendere la batteria, aprire l'app, tenere premuto il tasto IOT della batteria per 3 secondi per completare l'associazione, infine, accendere l'interruttore parallelo per fornire alimentazione ad Hub 2000.

5.3.8 Download dell'app Zendure

L'app Zendure offre agli utenti la possibilità di allocare la potenza ad AB1000 o AB2000 o alla batteria SuperBase V o Satellite e alla rete domestica e monitorare la generazione di energia. La potenza del microinverter può essere impostata in un intervallo di 100-1200 W. Leggere la guida dell'utente dell'app Zendure e accedere al link di download qui: <https://zendure.com/pages/download-center>.



Informativa sulla privacy

Utilizzando i prodotti, le applicazioni e i servizi Zendure, l'utente acconsente ai Termini d'uso e all'Informativa sulla privacy di Zendure, a cui è possibile accedere tramite la sezione "Informazioni" della pagina "Utente" nell'app Zendure.

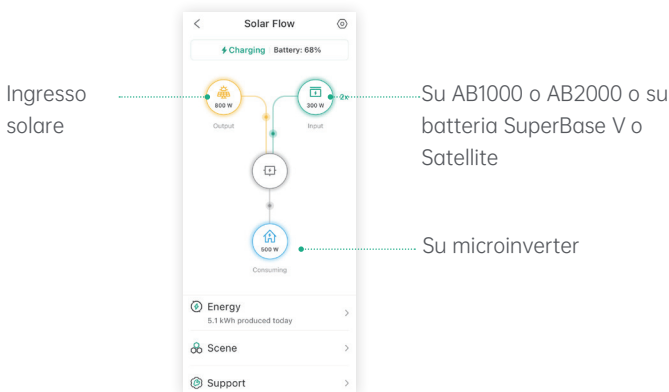
* Aggiungere il dispositivo e aggiornare alla versione più recente del firmware

Se si utilizza il dispositivo per la prima volta, è necessario aggiornare il firmware tramite l'app Zendure. Per ulteriori informazioni, consultare la guida dell'utente dell'app Zendure.

* Impostare la potenza sul microinverter

La massima potenza solare in ingresso del sistema SolarFlow è di 800 W. È possibile impostare la potenza su microinverter e la potenza in eccesso viene automaticamente immagazzinata nella batteria. Ad esempio:

Se l'ingresso solare totale è di 800 W, impostare 200 W sul microinverter per ottenere un ingresso di 600 W su AB1000 o AB2000 o su batteria SuperBase V o Satellite.



Suggerimenti:

- Occorre un periodo di tempo per il collegamento del sistema alla rete e circa 20 minuti per sincronizzare i dati con l'app Zendure. Quindi, dopo l'installazione, attendere 20 minuti prima di andare alle impostazioni dell'APP.
- Si consiglia di accumulare il più possibile nella batteria durante il giorno, ad eccezione del consumo energetico di base. Il modo per conoscere il consumo energetico di base è il seguente:
 1. Calcolare il consumo dei dispositivi utilizzati sempre durante il giorno o 24 ore su 24, come frigoriferi, router e dispositivi in standby.
 2. Andare alla cassetta del contatore subito prima di andare a letto. Annotare la lettura attuale del contatore e l'ora. Appena ci si alza, annotare la lettura del contatore e l'ora. È possibile calcolare il carico di base dal consumo e dal tempo trascorso.
 3. È possibile utilizzare una presa di misurazione che si inserisce tra la presa e l'utenza elettrica. Per calcolare il carico di base, raccogliere i Watt consumati da tutti i dispositivi costantemente in funzione (incluso lo standby) e sommare i valori.

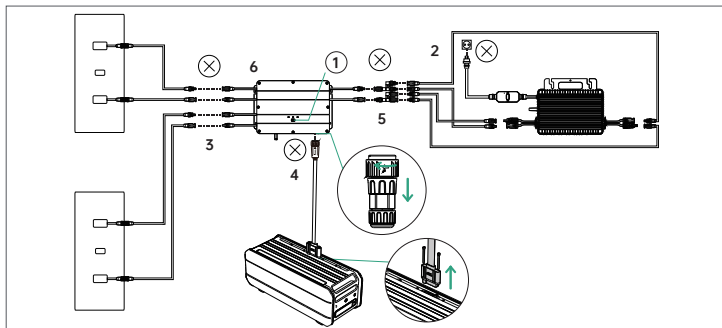
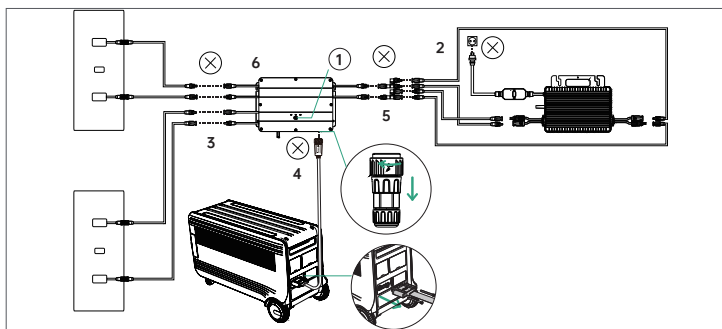
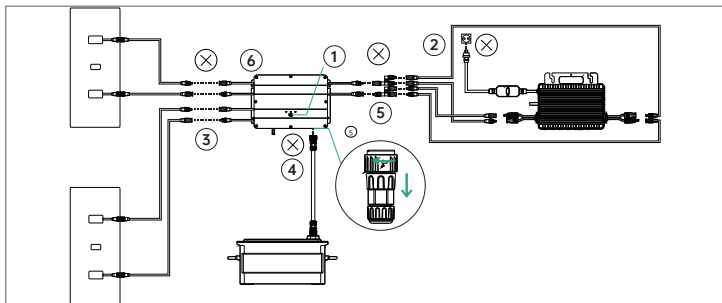
5.3.9 Scollegamento di SolarFlow

Suggerimenti:

Prima di scollegare, spegnere SolarFlow

Tenere premuto il tasto IoT per 6 secondi per disattivare Solarflow.

Se la batteria è SuperBase V / Satellite Battery e funziona ancora, tenere premuto il tasto di alimentazione per 3 secondi per spegnerla.



- ① Prima spegnere SolarFlow. Tenere premuto il tasto IoT per 6 secondi per disattivare Solarflow.
Se la batteria è Superbase V o Satellite, tenere premuto il tasto di alimentazione per 6 secondi per spegnere.
- ② Scollegamento della rete domestica: scollegare i cavi del microinverter e della shuko domestica.
- ③ Scollegamento dei pannelli solari: scollegare i cavi dei due pannelli solari e Hub 2000.
- ④ Scollegamento di AB1000 o AB2000 o della batteria SuperBase V o Satellite: scollegare i cavi di Hub 2000 e AB1000 o AB2000 o della batteria SuperBase V o Satellite.
- ⑤ Scollegamento del microinverter: scollegare i cavi del microinverter e di Hub 2000.
- ⑥ Svitare le viti di montaggio di Hub 2000 e microinverter, rimuovere Hub 2000 e microinverter dalla parete.

Suggerimenti: Durante lo smontaggio, prestare attenzione alla conservazione di tutte le parti per la reinstallazione.

Contatti

In caso di ulteriori domande, si prega di contattarci con i seguenti metodi.

E-mail:

support@zendure.com

support-eu@zendure.com

Numero verde (Stati Uniti):

+1(800)991-6148, da lunedì a venerdì dalle 7 alle 16 Fuso del Pacifico (tranne giorni festivi)

Numero verde (UE):

+49-800-627-3067, da lunedì a venerdì dalle 9 alle 18 (tranne giorni festivi)

Sito web del centro di assistenza:

US: Support.zendure.com

DE: Support.zendure.com/portal/de

Come richiedere la garanzia

Inviare un'e-mail con le seguenti informazioni al nostro indirizzo e-mail di assistenza clienti:

1. Numero d'ordine e prova d'acquisto.
2. Numero di serie.
3. Video o foto di eventuali difetti o danni derivanti dal prodotto.
4. Numero di contatto: Telefono/e-mail.



Gentile cliente Zendure, esegui la scansione del codice QR per ottenere informazioni sempre aggiornate sull'esistenza, la validità e la scadenza della garanzia.

WYŁĄCZENIE ODPOWIEDZIALNOŚCI

Przed użyciem należy przeczytać uważnie wszystkie zalecenia dotyczące bezpieczeństwa, ostrzeżenia i inne informacje o produkcie znajdujące się w tej instrukcji, a także przeczytać wszelkie informacje na etykietach lub naklejkach przymocowanych do produktu. Użytkownicy ponoszą pełną odpowiedzialność za bezpieczne użytkowanie i działanie tego produktu. Należy poznać właściwe przepisy obowiązujące w swoim regionie. Użytkownik ponosi wyłączną odpowiedzialność za przestrzeganie wszystkich odpowiednich przepisów i za używanie produktów firmy Zendure w sposób zgodny z przepisami. Należy zachować tę instrukcję do wykorzystania w przyszłości.

SPIS TREŚCI

1. Przed rozpoczęciem	91
2. Specyfikacje	91
3. INSTRUKCJA BEZPIECZEŃSTWA	93
3.1 Używanie.....	93
3.2 OŚWIADCZENIE FCC.....	94
3.3 DEKLARACJA ZGODNOŚCI WE.....	94
4. Ważne wskazówki	95
5. Rozpoczęcie	96
5.1 Co znajduje się w opakowaniu	96
5.2 Przegląd produktu	96
5.3 Instalacja.....	100
5.3.1 Przegląd czynności instalacji	100
5.3.2 Narzędzia instalacji	100
5.3.3 Odłączenie.....	100
5.3.4 Instalacja Hub 2000	102
5.3.5 Instalacja mikrofalownika	102
5.3.6 Zestawienie AB1000 lub AB2000	103
5.3.7 Podłączenie kablami.....	104
5.3.8 Pobranie aplikacji Zendure	106
5.3.9 Odłączenie SolarFlow	107

1. Przed rozpoczęciem

Znajdujące się tutaj informacje mogą zostać zmienione bez powiadomienia.

Najnowszą wersję można uzyskać pod adresem:

<https://zendure.com/pages/download-center>.

2. Specyfikacje

System SolarFlow obejmuje Hub 2000 i dodatkowy akumulator AB1000 lub AB2000, SuperBase V lub akumulator satelitarny. SolarFlow i Mikrofalownik to mały, podłączony do sieci system magazynowania energii PV, którego celem jest pomoc użytkownikom w obniżeniu rachunków za prąd elektryczny.

Ten produkt nie może być używany podczas przerw w dostawie prądu elektrycznego.

Nazwa	Hub 2000
Model	ZDHUB2000
Waga	≈ 5,2 kg
Wymiary (D*S*W)	363×246×64 mm
Typ połączenia bezprzewodowego	Bluetooth, Wi-Fi 2,4GHz i 5GHz
Stopień IP	IP65
Gwarancja	10 lat
Wejście PV	
Zalecana moc wejścia	1200 W każdy
Maksymalne napięcie wejścia prądu stałego	60V
Zakres napięcia MPPT	16-60V
Zakres napięcia MPPT przy pracy z pełną mocą	35-60V
Min. napięcie wejścia prądu stałego	16V
Maks. prąd wejścia	2*26A
Liczba MPPT	2
Wyjście do Mikrofalownika	
Zalecana moc Mikrofalownika	400-1200W
Znamionowa moc wyjścia	1200W
Maks. moc wyjścia Mikrofalownika	1200W
Znamionowy prąd wyjścia	30A
Nominalny zakres napięcia	16-60V
Skuteczność	
Skuteczność wyjścia	98%
Skuteczność śledzenia MPPT	99%
Temperatura działania (° C)	-20-45°C
Wejście z AB2000	
Maks. moc wejścia	1200W
Maks. prąd wejścia	25A
Napięcie znamionowe	48V
Wyjście do AB2000	
Maks. moc wejścia	1200W / 1800W (≥2*AB2000)
Maks. prąd wejścia	25A / 37,5A(≥2*AB2000)
Zakres napięcia	42-54,75V
Wejście z AB1000	
Maks. moc wejścia	1200W
Maks. prąd wejścia	25A
Napięcie znamionowe	48V
Wyjście do AB1000	
Maks. moc wejścia	800W
Maks. prąd wejścia	16,6A
Zakres napięcia	42-54,75V
Wejście z SuperBase V lub akumulatora satelitarnego:	
Maks. moc wejścia	1200W

Maks. prąd wejścia	25A
Zakres napięcia	45-58,4V
Wyjście do SuperBase V lub do akumulatora satelitarnego	
Maks. moc wejścia	1800W
Maks. prąd wejścia	37,5A
Napięcie znamionowe	45-58,4V

Kontroler Hub 2000 nie zawiera zestawu akumulatorów, który należy zakupić osobno. Więcej informacji o akumulatorze AB1000, AB2000, SuperBase V lub akumulatorze satelitarnym, można znaleźć w instrukcji obsługi akumulatora AB1000, AB2000, SuperBase V lub akumulatora satelitarnego.

3. INSTRUKCJA BEZPIECZEŃSTWA

3.1 Używanie

1. Przed uruchomieniem należy sprawdzić, czy SolarFlow nie jest uszkodzony, pęknięty, nie występuje wyciek płynu, nie występuje nagrzewanie albo, czy nie ma innych nieprawidłowości lub, czy nie są uszkodzone kable. Po wykryciu jakiegokolwiek z wymienionych usterek, należy natychmiast zaprzestać korzystania z produktu i skontaktować się z naszym działem obsługi klienta.
2. Należy zachować odległość 50 mm pomiędzy Hub 2000 i innymi obiektami.
3. Podczas pracy systemu energii słonecznej należy unikać bezpośredniego nasłonecznienia, aby zapobiec przegrzaniu systemu SolarFlow. Nie należy umieszczać SolarFlow w pobliżu źródeł ciepła.
4. Nie należy używać w miejscach występowania silnej elektryczności statycznej lub pól magnetycznych.
5. Zabrania się umieszczania urządzenia w miejscach z łatwopalnymi, wybuchowymi gazami lub dymem. Ponieważ SolarFlow polega na rozpraszaniu ciepła przez osłonę, nadmierna temperatura osłony doprowadzi do uszkodzenia.
6. Wewnętrznych elementów urządzenia nie powinien wymieniać nieautoryzowany personel.
7. Aby uniknąć uszkodzenia produktu lub obrażeń innych osób, produkt należy zainstalować zgodnie z naszą instrukcją obsługi.
8. Przed zakończeniem instalacji należy się upewnić, że są odłączone kabel solarny, kabel podłączenia Mikrofalownika do sieci domowej.
9. Upewnij się, że Hub 2000 i Mikrofalownik są pewnie zainstalowane, aby uniknąć wypadków i uszkodzeń produktu spowodowanych upadkiem.
10. SolarFlow ma stopień ochrony IP65, dlatego produktu nie można zanurzać w płynach. Jeśli podczas użytkowania, produkt przypadkowo wpadnie do wody, należy umieścić go w bezpiecznym i otwartym miejscu i poczekać na jego całkowite wyschnięcie. Wysuszonego produktu nie należy używać ponownie i należy go odpowiednio zutylizować zgodnie z wytycznymi dotyczącymi utylizacji zawartymi w tej instrukcji.
11. Podczas użytkowania należy zapewnić odpowiednią wentylację, nieodpowiednia wentylacja może spowodować trwałe uszkodzenie urządzenia.
12. Nie należy niczego umieszczać na wierzchu SolarFlow, instalację należy wykonać w miejscu, gdzie nie będą mogli dotykać go ludzie.
13. Podczas pracy nie należy przesuwania urządzenia ani nim potrząsać, ponieważ wibracje i nagłe uderzenia mogą spowodować osłabienie połączenia z wewnętrznym osprzętem.

14. W przypadku pożaru, do gaszenia produktu nadaje się wyłącznie gaśnica proszkowa.
15. Porty należy czyścić wyłącznie suchą szmatką.
16. Należy trzymać poza zasięgiem dzieci i zwierząt domowych.
17. Ze względów bezpieczeństwa należy używać wyłącznie oryginalnej ładowarki i przewodów przeznaczonych do urządzenia. Nie ponosimy odpowiedzialności za szkody spowodowane przez urządzenia innych firm i może to spowodować unieważnienie gwarancji.

3.2 OŚWIADCZENIE FCC

To urządzenie jest zgodne z częścią 15 przepisów FCC. Jego działanie podlega następującym dwóm warunkom:

- (1) To urządzenie nie może powodować szkodliwych zakłóceń i
- (2) To urządzenie musi akceptować wszelkie odbierane zakłócenia, w tym zakłócenia, które mogą powodować niepożądane działanie.

Wszelkie zmiany lub modyfikacje, które nie zostały wyraźnie zatwierdzone przez stronę odpowiedzialną za zgodność, mogą spowodować unieważnienie prawa użytkownika do używania urządzenia.

UWAGA:

To urządzenie zostało przetestowane i uznane za zgodne z ograniczeniami dla urządzeń cyfrowych klasy B, zgodnie z częścią 15 przepisów FCC. Te ograniczenia mają na celu zapewnienie rozsądnej ochrony przed szkodliwymi zakłóceniami w instalacjach domowych. To urządzenie generuje i może emitować energię o częstotliwości radiowej, a jeśli nie jest zainstalowane i używane zgodnie z instrukcjami, może powodować szkodliwe zakłócenia komunikacji radiowej. Nie ma jednak gwarancji, że w konkretnej instalacji nie wystąpią zakłócenia. Jeśli to urządzenie powoduje szkodliwe zakłócenia w odbiorze radia lub telewizji, co można stwierdzić wyłączając i włączając urządzenie, zachęca się użytkownika do podjęcia próby skorygowania zakłóceń za pomocą jednego lub więcej z następujących środków:

Zmiana orientacji lub lokalizacji anteny odbiorczej.

Zwiększenie odległości pomiędzy urządzeniem a odbiornikiem.

Podłączenie urządzenia do gniazda zasilania z innego obwodu niż ten, do którego podłączony jest odbiornik.

Skonsultowanie się ze sprzedawcą lub z doświadczonym technikiem radiowo-telewizyjnym w celu uzyskania pomocy.

Oświadczenie FCC dotyczące narażenia na promieniowanie

To urządzenie jest zgodne z limitami narażenia na promieniowanie FCC, określonymi dla niekontrolowanego środowiska. To urządzenie należy zainstalować i obsługiwać przy zachowaniu minimalnej odległości 20 cm pomiędzy radiatorem a ciałem użytkownika

3.3 DEKLARACJA ZGODNOŚCI WE

ZENDURE TECHNOLOGY CO., LIMITED deklaruje, że produkt SolarFlow (Hub 2000), jest zgodny z dyrektywą 2014/53/EU (RED), 2011/65/EU (RoHS), 2015/863/EU (RoHS).

Pełny tekst Deklaracji zgodności jest dostępny pod następującym adresem internetowym: <https://zendure.de/pages/download-center>



Deklaracja zgodności

Deklarację zgodności UE można uzyskać pod adresem:

<https://zendure.de/pages/download-center>



Usuwanie

Usuwanie opakowania. Opakowania należy utylizować oddzielnie według typu.

Karton i papier należy przekazać do punktu zbiórki makulatury.

Folie należy przekazać do punktu zbiórki w celu recyklingu.



Usuwanie starych urządzeń (obowiązuje w Unii Europejskiej i innych krajach europejskich z selektywną zbiórką (zbiórką odpadów)) Starych urządzeń nie wolno wyrzucać z odpadami domowymi! Każdy klient jest prawnie zobowiązany do usuwania starych urządzeń, których nie można już używać, oddzielnie od odpadów domowych, np. przekazanie do punktu zbiórki surowców wtórnych.

Aby zapewnić właściwy recykling i uniknąć negatywnego wpływu na środowisko, urządzenia elektroniczne należy przekazać do lokalnego lub okręgowego punktu zbiórki. Z tego powodu urządzenia elektroniczne są oznaczone pokazanym tutaj symbolem.

4. Ważne wskazówki



System PV jest podłączony do sieci. Należy sprawdzić, czy jest to dozwolone w danej okolicy. W zależności od regionu, przed lub po instalacji może być wymagane oficjalne zatwierdzenie.



Hub 2000 i AB1000 należy chronić przed bezpośrednim działaniem promieni słonecznych, aby zapobiec szybkiemu wzrostowi temperatury.



Przed instalacją należy sprawdzić akcesoria, niektóre akcesoria należy zakupić osobno.



Po instalacji należy najpierw pobrać aplikację Zendure, aby sprawdzić wytwarzaną energię elektryczną i ustawić moc Mikrofalownika.



Po instalacji SolarFlow, podłączenie do sieci zajmie około 5 minut, a dane zostaną zsynchronizowane z aplikacją Zendure w ciągu 20 minut.




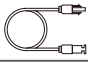
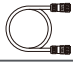




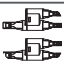
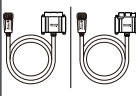
Przed ustawieniem wyjścia na Mikrofalownik, należy potwierdzić moc znamionową używanego Mikrofalownika, wartość wyjścia na Mikrofalownik nie powinna być większa niż moc znamionowa używanego Mikrofalownika.



Wyłącz urządzenie (naciśnij i przytrzymaj przycisk IOT przez 6s, aby wyłączyć SolarFlow. Jeśli akumulator to SuperBase V / akumulator satelitarny i nadal działa, przytrzymaj także przycisk zasilania przez 3 s, aby go wyłączyć) w celu wyjęcia lub zainstalowania akumulatora.

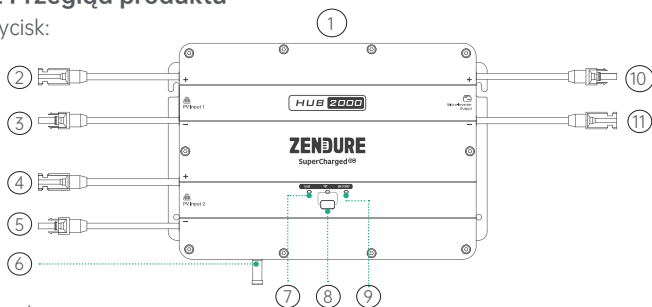
5. Rozpoczęcie

5.1 Co znajduje się w opakowaniu

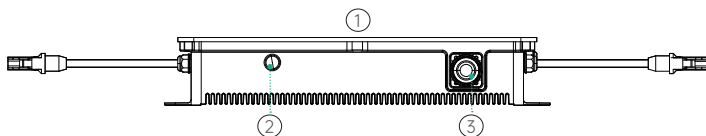
Nr	Ilustracja	Nazwa	
1		Hub 2000	
2		4* Kabel mikrofalownika 0,6m	Kabel mikrofalownika: Używany do podłączenia mikrofalownika.
3		Kabel akumulatora 1,5m	Kabel akumulatora: Używany do podłączenia AB1000 lub AB2000.
4		Instrukcja obsługi	
5		6* Śruby montażowe M 4,7*39mm	Śruby montażowe: Podłączanie Hub 2000 i mikrofalownika
6		1* Antena	
7		2* Podkładka płaska	Podkładka płaska: Używana do mocowania mikrofalownika.
8		Zestaw złączy MC4 Y 1-do-2	
* 9		1*Kabel Hub to SBV lub kabel Hub do akumulatora satelitarnego	* Kabel akumulatora: Kabel koncentratora do SBV lub kabel koncentratora do akumulatora satelitarnego (niedostarczony). Będzie to potrzebne do podłączenia Hub 2000 do SuperBase V lub do akumulatora satelitarnego.

5.2 Przegląd produktu

Przycisk:



- ① GÓRA
- ② Złącze MC4 wejścia 1 PV 1 elektroda plus
- ③ Złącze MC4 wejścia PV 1 elektroda minus
- ④ Złącze MC4 wejścia 2 PV 1 elektroda plus
- ⑤ Złącze MC4 wejścia PV 2 elektroda minus
- ⑥ Antena
- ⑦ Wskaźnik stanu urządzenia Hub
- ⑧ Wskaźnik i przycisk IoT
- ⑨ Wskaźnik stanu akumulatora
- ⑩ Złącze MC4 Mikrofalownik Wyjście elektroda plus
- ⑪ Złącze MC4 wyjścia mikrofalownika elektroda minus



① Dół ② Port anteny ③ Port akumulatora

Połączenie IoT: Po włączeniu Hub 2000, wskaźnik IoT zacznie szybko migać, a urządzenie automatycznie nawiąże połączenie IoT. Użytkownicy mogą bezpośrednio łączyć się z IoT w aplikacji Zendure.

Wskazówki:

- Po powiązaniu urządzenia z aplikacjami Zendure, po ponownym włączeniu SolarFlow, dopóki nie będzie można skomunikować się z aplikacją Zendure, będzie powoli migać kontrolka IoT.
- Aby ponownie powiązać konto i zresetować połączenie IoT, naciśnij i przytrzymaj przycisk IoT przez 3 sekundy, aby rozpocząć połączenie IoT.
- Reset sprzętowy Hub 2000 i AB1000 lub AB2000 albo SuperBase V lub akumulatora satelitarnego: Naciśnij i przytrzymaj przycisk IoT przez 10 sekund, aby zresetować Hub 2000 i AB1000 lub AB2000, SuperBase V lub akumulator satelitarny.

Wskazówki:

- Zarówno panele solarne, jak i zasilacz AB1000 lub AB2000, SuperBase V lub akumulator satelitarny mogą wybudzić Hub 2000.
- Jeśli Hub 2000 jest podłączony do SuperBase V lub do akumulatora satelitarnego, zaleca się dodanie do systemu co najmniej jednego panelu solarnego, podłączonego do akumulatora za pomocą kabla MC4 do XT-90. Umożliwi to akumulatorowi "wybudzenie", nawet jeśli jest całkowicie rozładowany, o ile z panelu solarnego będzie pobierana pewna ilość energii.

Jeśli akumulator został całkowicie rozładowany, aby go ponownie aktywować, wykonaj poniższe czynności.

Jeśli dostępna jest moc wejścia, naciśnij i przytrzymaj przez 1 sekundę przycisk zasilania na akumulatorze, aby rozpocząć ładowanie.

Przy braku mocy wejścia, należy najpierw zasilić akumulator prądem zmiennym.

- Aby chronić akumulator, urządzenie AB1000 lub AB2000 jest fabrycznie wyłączone, dlatego przy pierwszym włączeniu SolarFlow należy aktywować akumulator (naciśnięcie i przytrzymanie przycisk IoT przez 2 sekundy).
- Przed rozłączeniem połączenia należy wyłączyć SolarFlow.

Zalecenia dotyczące działania:

Wskazówki:

Proces pracy SolarFlow jest następujący:

Najpierw zostanie włączony Hub 2000, a następnie przejdzie do stanu pracy (wskaźnik Hub 2000 zaświeci zielonym światłem), następnie zostanie wybudzona funkcja IoT, a urządzenie przejdzie bezpośrednio do stanu połączenia Wi-Fi (zacznie migać zielone światło wskaźnika IoT), a na koniec Hub 2000 wyśle sygnał aktywujący AB1000 lub AB2000 (przed wejściem w stan ustalony, wskaźnik AB1000 lub AB2000 będzie migać zielonym światłem przez 2 sekundy).

Jeśli używany jest akumulator SuperBase V lub akumulator satelitarny, aby włączyć Hub 2000 i nawiązać połączenie IOT, wykonaj poniższe czynności.

- 1) Naciśnij i przytrzymaj przycisk zasilania SuperBase V lub akumulatora satelitarnego przez 1 sekundę, aby go włączyć.
- 2) Otwórz aplikację Zendure, następnie naciśnij i przytrzymaj przez 3 sekundy przycisk IOT na akumulatorze SuperBase V lub na akumulatorze satelitarnym.
- 3) Włącz Przełącznik równoległy w aplikacji, aby zapewnić zasilanie Hub 2000.
- 4) Naciśnij i przytrzymaj przycisk IOT na Hub 2000 przez 3 sekundy, aby zakończyć nawiązywanie połączenia.

Zalecenia dotyczące działania:

Element	Element	Jak wykonać	Wskaźnik LED
Hub 2000	Włączenie zasilania	Podłącz PV lub AB1000 albo AB2000 lub SuperBase V albo akumulator satelitalny	Wskaźnik Hub 2000 świeci zielonym światłem
	Awaria zasilania	Odłącz PV lub AB1000 albo AB2000 lub SuperBase V albo akumulator satelitalny.	Nie świecą żadne wskaźniki
	uruchom połączenie IoT	Po włączeniu zasilania Hub 2000	Wolne miganie zielonym światłem wskaźnika IoT
	Połączenie IoT	Po włączeniu zasilania Hub 2000	Wskaźnik IoT miga zielonym światłem
	Kończenie połączenia IoT	/	Wskaźnik IoT świeci zielonym światłem
	Resetowanie połączenia IoT	Naciśnij i przytrzymaj przycisk IoT przez 3 sekundy	Wskaźnik IoT miga zielonym światłem
	Wyłączenie IoT	Naciśnij i przytrzymaj przycisk IoT przez 1 sekundę	Nie świecą wskaźniki IoT
	Włączanie IoT	Naciśnij i przytrzymaj przycisk IoT przez 1 sekundę	Wskaźnik IoT miga zielonym światłem
	informacja o nadmiernym napięciu / informacja o nadmiernym prądzie / informacja o zwarciu / informacja o błędzie	Należy natychmiast zakończyć używanie, sprawdzić szczegółowe informacje o błędach w aplikacji Zendure i skontaktować się z obsługą klienta	Wskaźnik Hub 2000 miga czerwonym światłem
AB1000 lub AB2000 albo SuperBase V lub akumulator satelitalny	Podłączenie AB1000 lub AB2000.	Po włączeniu zasilania Hub 2000	Wskaźnik AB1000 lub AB2000 miga zielonym światłem przez 2s, a następnie zaczyna świecić stałym światłem
	Doładowanie AB1000 lub AB2000 albo SuperBase V lub akumulatora satelitalnego	/	1) Wskaźnik AB1000 lub AB2000 miga zielonym światłem. 2) SuperBase V wyświetli na ekranie moc wejścia. 3) Zacznie migać przycisk zasilania akumulatora satelitalnego.
	Pozostała pojemność akumulatora AB1000, AB2000, SuperBase V lub akumulatora satelitalnego	Wyświetl w aplikacji Zendure, pobierz aplikację Zendure i powiż Solar Flow. SuperBase V i akumulatory satelitalne pojawią się także na wyświetlaczu.	/
	Informacja o niskiej mocy	Wyświetl w aplikacji Zendure, pobierz aplikację Zendure i powiż Solar Flow	AB1000 lub AB2000: Wskaźnik zmieni kolor na czerwony. SuperBase V lub akumulator satelitalny: Gdy stan naładowania (SOC) będzie niski (10% do 20%), pierścień zasilania lub wskaźnik zasilania, będzie migać przez 30 sekund. Dodatkowo, gdy SOC spadnie do 5%, wygenerowanych zostanie 5 sygnałów dźwiękowych.
	Ostrzeżenie o niskiej temperaturze	Oczekiwanie na temperaturę przed użyciem jest normalne	1) Wskaźnik AB1000 lub AB2000 świeci czerwonym światłem. 2) SuperBase V lub akumulator satelitalny: Na ekranie miga ostrzeżenie o niskiej lub wysokiej temperaturze.
	Ostrzeżenie o wysokiej temperaturze		
	informacja o nadmiernym napięciu / informacja o nadmiernym prądzie / informacja o zwarciu / informacja o błędzie	Należy natychmiast zakończyć używanie, sprawdzić szczegółowe informacje o błędach w aplikacji Zendure i skontaktować się z obsługą klienta	AB1000 lub AB2000: Wskaźnik zmieni kolor na czerwony. SuperBase V: Na wyświetlaczu miga awaria akumulatora i kod błędu. Akumulator satelitalny: Zostanie włączony wskaźnik stanu.

Element	Jak wykonać	Wskaźnik LED
Włączenie SolarFlow	Jeśli akumulator to AB1000 lub AB2000, naciśnij i przytrzymaj przycisk IOT przez 2 sekundy, aby go włączyć. Jeśli akumulator to SuperBase V lub akumulator satelitarny, naciśnij i przytrzymaj przycisk zasilania przez 1 sekundę, aby włączyć SuperBase V lub akumulator satelitarny, otwórz aplikację Zendure, następnie naciśnij i przytrzymaj przez 3 sekundy przycisk IOT na baterii SuperBase V lub na akumulatorze satelitarnym. Następnie za pomocą aplikacji włącz Przełącznik równoległy w celu dostarczenia zasilania do Hub 2000.	<ul style="list-style-type: none"> Wskaźnik Hub 2000 świeci zielonym światłem Wskaźnik IoT miga zielonym światłem Wskaźnik AB1000 lub AB2000 miga zielonym światłem przez 2s, a następnie zaczyna świecić stałym światłem
Wyłączenie SolarFlow	Naciśnij i przytrzymaj przycisk IOT przez 6 sekund, aby wyłączyć SolarFlow. Jeśli system zawiera akumulator SuperBase V lub akumulator satelitarny i urządzenie to nadal działa, naciśnij i przytrzymaj przycisk zasilania przez 3 sekundy, aby je wyłączyć.	Nie świecą żadne wskaźniki
Resetowanie sprzętowe Hub 2000 i AB1000 lub AB2000 albo SuperBase V lub akumulatora satelitarnego	Naciśnij i przytrzymaj przycisk IoT przez 10 sekundę	/
Transmisja bezprzewodowa Hub 2000 i AB1000 lub AB2000 albo SuperBase V lub akumulatora satelitarnego	Pobierz aplikację Zendure poprzez transmisję bezprzewodową	/

Wskazówki:

- Wybierz Bluetooth lub Wi-Fi w aplikacji Zendure, preferowane jest Wi-Fi.
- Gdy Hub 2000 jest podłączony do SuperBase V lub akumulatora satelitarnego i zasilanie jest dostarczane do wejścia solarne, Hub 2000 włączy się automatycznie. Jeśli w ciągu 5 minut nie zostanie podłączony żaden akumulator, Hub 2000 początkowo przełączy się na tryb obejścia i skieruje zasilanie do Mikrofalownika (przy domyślnej mocy wyjścia 200 W, określonej w aplikacji Zendure). Jeśli jednak w ciągu tych 5 minut zostanie podłączony akumulator SuperBase V lub akumulator satelitarny, SolarFlow będzie nadal działać w trybie domyślnym.

Jeśli Hub 2000 jest podłączony do SuperBase V lub do akumulatora satelitarnego, a po wyłączeniu nadal odbiera solarną moc wejścia, włączy się ponownie po 10 minutach i będzie działać w trybie obejścia, kierując moc do mikrofalownika o domyślnej wielkości 200 W (określana w aplikacji Zendure).

Gdy używany Hub 2000 utraci połączenie Wi-Fi podczas odbierania energii solarnej, automatycznie przełączy się na tryb obejścia i przekaże moc wyjścia do mikrofalownika o domyślnej wielkości 200 W (określana przez aplikację Zendure).

5.3 Instalacja

- Aby od razu sprawdzić i uruchomić system solarny, instalację należy wykonać przy słonecznej pogodzie.
- Zaleca się, aby w instalacji uczestniczyły co najmniej dwie osoby.
- Należy pamiętać o podłączaniu lub odłączaniu Hub 2000 z AB1000 lub AB2000, SuperBase V lub akumulatorem satelitarnym, panelami solarnymi lub Mikrofalownikami. Należy się upewnić, że SolarFlow został wyłączony w sposób opisany poniżej.
- Naciśnij i przytrzymaj przycisk IOT przez 6 s, aby wyłączyć SolarFlow. Jeśli akumulator to SuperBase V / akumulator satelitarny i nadal działa, aby go wyłączyć przytrzymaj także przycisk zasilania przez 3 s.

5.3.1 Przegląd czynności instalacji

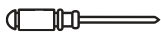
- Odłącz panel solarny, Mikrofalownik i sieć domową
- Zainstaluj Hub 2000
- Zainstaluj mikrofalownik Smart
- Znajdź miejsce do zestawienia AB1000 lub AB2000 albo SuperBase V lub akumulatora satelitarnego.
- Podłącz najwyższy AB1000 lub AB2000 albo SuperBase V lub akumulator satelitarny do Hub 2000
- Podłącz mikrofalownik do sieci domowej
- Podłącz panele solarne do Hub 2000
- Zeskanuj kod QR i pobierz aplikację Zendure. Postępuj zgodnie z instrukcjami aplikacji, aby skonfigurować urządzenie. Po 20 minutach otrzymasz dane systemu magazynowania energii SolarFlow w aplikacji Zendure.

Wskazówki:

Zgodnie z przepisami rządowymi oraz w celu zapewnienia bezpieczeństwa, mikrofalownik może rozpocząć pracę dopiero po podłączeniu na 5 minut do sieci zasilającej. Aby poprawić dokładność danych, przed wyświetleniem w aplikacji, system będzie je weryfikował i potwierdzał przez 15 minut.

5.3.2 Narzędzia instalacji

Przed instalacją należy sprawdzić wszystkie akcesoria i przygotować następujące narzędzia (zakupiony system nie zawiera narzędzi)



Śrubokręt krzyżakowy



Klucz imbusowy



Rękawice robocze



Wiertarka elektryczna



Marker

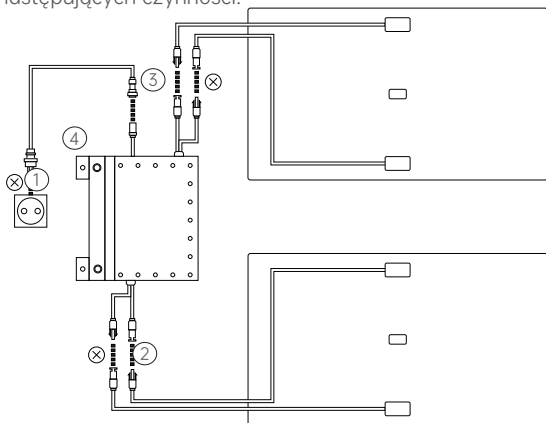


Taśma miernicza

5.3.3 Odłączenie

Wskazówki: Metoda demontażu jest zgodna z instrukcjami mikrofalownika, a przed demontażem należy potwierdzić warunki gwarancji mikrofalownika.

Jeśli zainstalowany został balkonowy system solarny, należy go odłączyć według następujących czynności:



① Odłącz kable od mikrofalownika i sieci domowej.

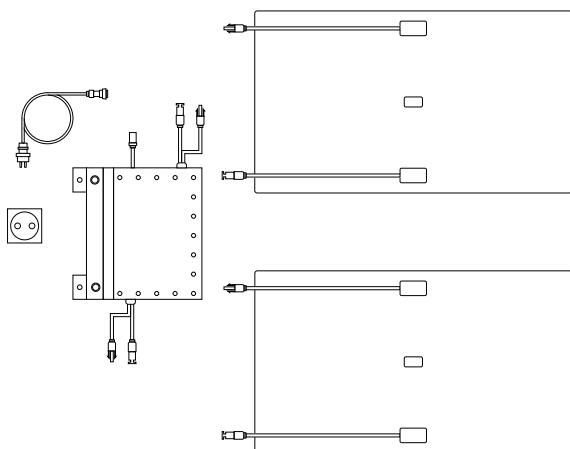
② Odłącz tylko kable pierwszego panelu solarnego i mikrofalownika.

Wskazówki: Instalacji panelu słonecznego nie należy przenosić, chyba że wymagana jest zmiana lokalizacji.

③ W ten sam sposób odłącz kable drugiego panelu solarnego i mikrofalownika.

④ Odkręć śruby mocowania mikrofalownika, zdejmij mikrofalownik zamocowany na panelu solarnym lub na metalowym wsporniku.

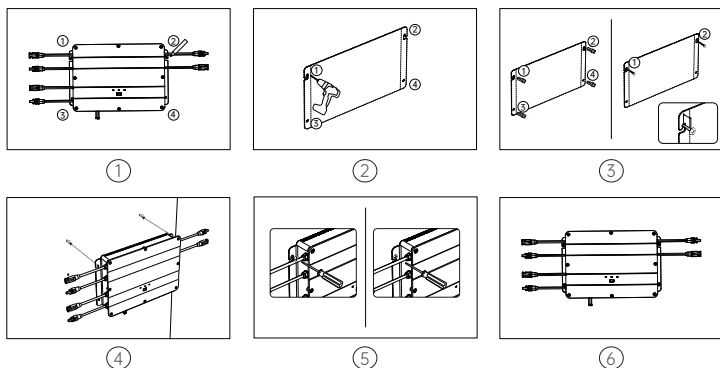
Wskazówki: Upewnij się, że stan po odłączeniu jest taki, jak pokazano na ilustracji.



5.3.4 Instalacja Hub 2000

Wskazówki:

- Hub 2000 należy zainstalować w miejscu poza zasięgiem bezpośredniego światła słonecznego.
- Długość naszych kabli solarnych wynosi 3 metry (należy je zakupić oddzielnie), dlatego przed potwierdzeniem miejsca instalacji Hub 2000 należy zmierzyć odległość od złącza MC4 panela solarnego do złącza MC4 Hub 2000.
- Hub 2000 nie jest dostarczany z zainstalowaną anteną Wi-Fi. Antenę Wi-Fi należy zainstalować na Smart PVHub przed zamontowaniem go na ścianie.

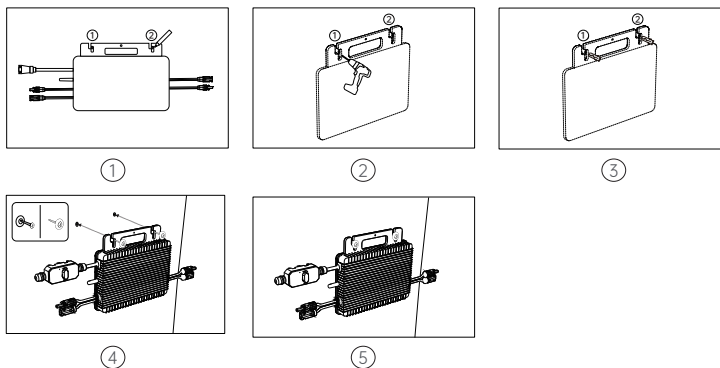


- ① Zaznacz miejsce instalacji, wybierz ścianę na której planowana jest instalacja, jedna osoba przytrzymuje Hub 2000 na ścianie rękami, a druga osoba zaznacza markerem pozycje czterech otworów na śruby w Hub 2000.
- ② Wiercenie, Wywierć w czterech zaznaczonych miejscach, cztery otwory montażowe o średnicy 8 mm.
- ③ Instalacja śrub, Najpierw włóż żółtą, plastikowe tulejki rozporowej śruby do 4 otworów wywierconych w czynności 3, a następnie wkręć 2/3 długości śrub ① i ② do żółtej, plastikowej tulejki rozporowej śruby.
- ④ Zawieś Hub 2000, zawieś Hub 2000 na wystającej części śruby ① i ②.
- ⑤ Jedna osoba przytrzymuje Hub 2000 obiema rękami, a druga wkręca do końca resztę śrub ① i ② w ścianę.
- ⑥ Wkręć kolejne dwie śruby, śrubę 3 i 4 do żółtej, plastikowej tulejki rozporowej i do końca przykręć do ściany. Instalacja Hub 2000 została zakończona.

5.3.5 Instalacja mikrofalownika

Wskazówki: Sposób montażu powinien być zgodny z instrukcjami mikrofalownika.

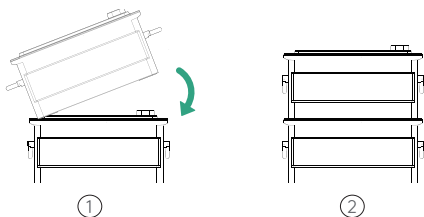
- W celu zmniejszenia liczby połączeń, zaleca się instalację mikrofalownika pomiędzy Hub 2000, a gniazdem domowej sieci zasilania, w pobliżu PV Hub.
- Aby rozproszyć ciepło, odległość pomiędzy Hub 2000 a Mikrofalownikiem powinna wynosić co najmniej 50 mm.



- ① Zaznacz miejsce instalacji, znajdź pozycję obok Hub 2000, jedna osoba przytrzymuje mikrofalownik na ścianie rękami, a druga osoba zaznacza pozycje dwóch otworów na śruby mikrofalownika.
- ② Wiercenie, Wywierć w dwóch zaznaczonych miejscach, dwa otwory montażowe o średnicy 8 mm.
- ③ Instalacja żółtych plastikowych tulejek rozprężnych śrub, Włóż żółte, plastikowe tulejki rozprężne śrub do dwóch otworów wywierconych w czynności 2.
- ④ Instalacja mikrofalownika, Jedna osoba przytrzymuje mikrofalownik obiema rękami na ścianie i dopasowuje do otworów wywierconych w czynności 2, następnie umieszcza płaskie podkładki na śrubach, a na koniec wkręca śruby ① i ② z płaską podkładką w żółtą, plastikową tulejkę rozprężną.
- ⑤ Dokręcenie śrub, Przykręć całkowicie do ściany śruby ① i ②. Instalacja mikrofalownika została zakończona.

5.3.6 Zestawienie AB1000 lub AB2000

Przed zestawieniem AB1000 lub AB2000, należy przeczytać uwagę znajdującą się na AB1000 lub AB2000.



- ① Zdejmij plastikowe osłony ochronne z portu połączenia, a następnie najpierw dopasuj lewą stronę.
- ② Powoli włóż port podłączenia akumulatora.

Wskazówki: Hub 2000 można podłączać tylko do SuperBase V bez akumulatora satelitarnego lub można go podłączyć tylko do jednego akumulatora satelitarnego bez SuperBase V. Wiele akumulatorów nie jest obsługiwanych.

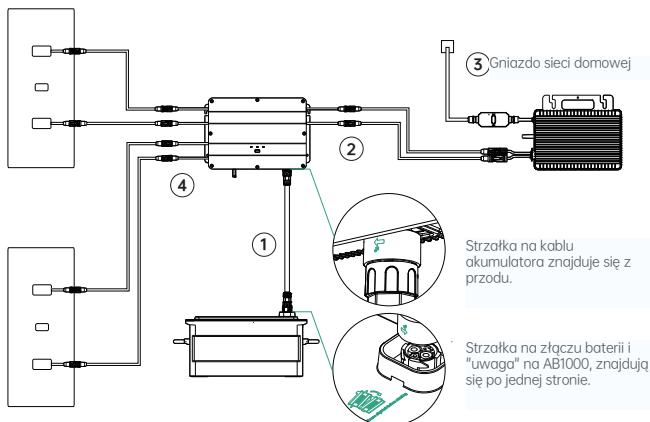
5.3.7 Podłączenie kablami

Wskazówki: Przed podłączeniem kabla należy się upewnić, że produkt jest wyłączony.

Naciśnij i przytrzymaj przycisk IOT przez 6 s, aby wyłączyć SolarFlow.

Jeśli akumulator to SuperBase V / akumulator satelitalny i nadal działa, aby go wyłączyć przytrzymaj także przycisk zasilania przez 3 s.

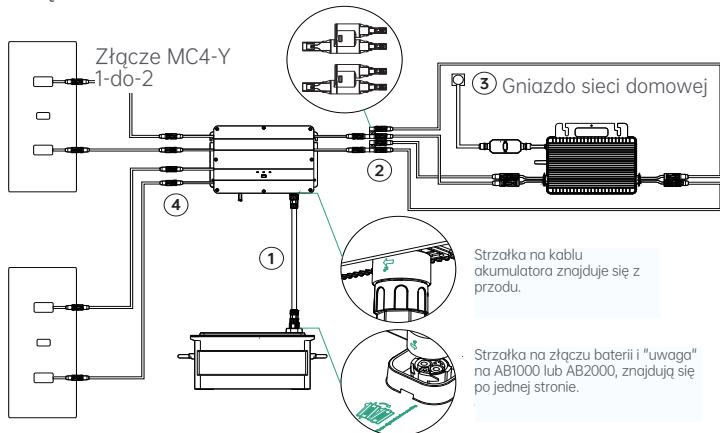
Połączenie kablowe 1-do-1 z mikrofalownikiem



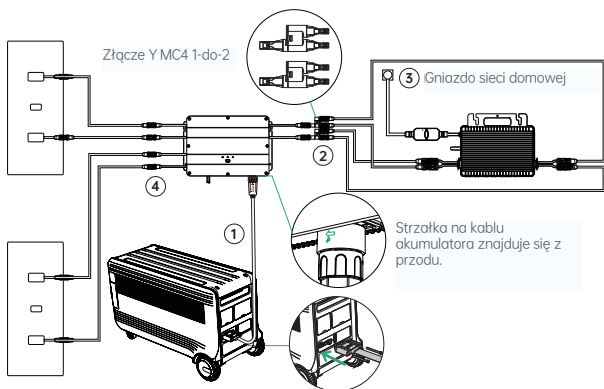
- ① Podłącz AB1000, AB2000, SuperBase V lub akumulator satelitalny do Hub 2000 za pomocą kabla akumulatora. Zaciski kabla akumulatora mogą być samoblokujące, usłyszenie kliknięcia oznacza, że kabel akumulatora został dobrze włożony. (Należy pamiętać o dokręceniu złącza śruby, zapewniające bezpieczne połączenie z akumulatorem)
- ② SuperBase V lub z akumulatorem satelitalnym)
- ③ Podłącz Hub 2000 do mikrofalownika kablem mikrofalownika.
- ④ Podłącz mikrofalownik do gniazda sieci domowej z użyciem oryginalnego kabla. Podłącz panel solarny do Hub 2000

Wskazówki: Najpierw należy podłączyć AB1000 lub AB2000 albo SuperBase V lub akumulator satelitalny, a następnie podłączyć panele solarne.

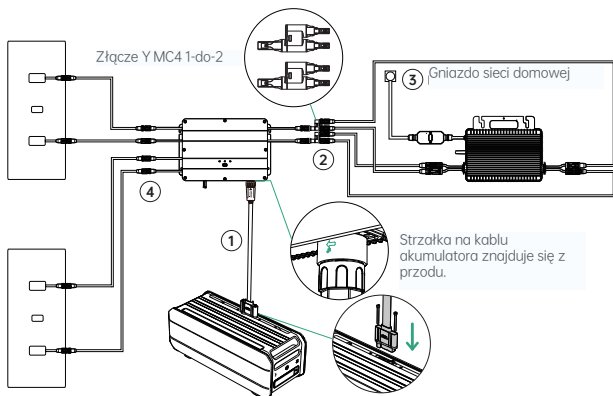
Połączenie kablowe 2-do-1 z mikrofalownikiem



Kabel połączeniowy dla SuperBase V



Kabel połączeniowy dla akumulatora satelitarne



- ① Podłącz AB1000, AB2000, SuperBase V lub akumulator satelitarne do Hub 2000 za pomocą kabla akumulatora. Zaciski kabla akumulatora mogą być samoblokujące, usłyszenie kliknięcia oznacza, że kabel akumulatora został dobrze włożony. (Przed połączeniem z SBV lub z akumulatorem satelitarne należy dokręcić śruby złącza)
- ② Podłącz Hub 2000 do mikrofalownika, najpierw podłącz "złącze MC4 1 do 2" to Hub 2000, a następnie podłącz do niego mikrofalownik.
- ③ Kabel mikrofalownika i kolejne 2 kable rozszerzenia MC4.
- ④ Podłącz mikrofalownik do gniazdka sieci domowej za pomocą oryginalnego kabla. Podłącz panel solarne do Hub 2000.

Wskazówki:

- Najpierw należy podłączyć AB1000 lub AB2000 albo SuperBase V lub akumulator satelitarne, a następnie podłączyć panele solarne.
- Po nawiązaniu połączenia, włącz SolarFlow
 - 1) Jeśli akumulator to AB1000 lub AB2000, naciśnij przycisk IOT na 2 sekundy, aby włączyć.
 - 2) Jeśli akumulator to SuperBase V lub akumulator satelitarne, naciśnij przycisk zasilania na 1 sekundę, aby włączyć baterię, otwórz aplikację, naciśnij i przytrzymaj przycisk IOT baterii przez 3 sekundy, aby zakończyć parowanie, na koniec włącz Przełącznik równoległy, aby dostarczyć zasilanie do Hub 2000.

5.3.8 Pobranie aplikacji Zendure

Aplikacja Zendure daje użytkownikom możliwość alokacji mocy do AB1000 lub AB2000 albo SuperBase V lub akumulatora satelitarnego i sieci domowej oraz monitorowania wytwarzania energii, moc Mikrofalownika można ustawić w zakresie 100-1200W.

Przeczytaj instrukcję obsługi aplikacji Zendure i uzyskaj dostęp do łącza pobierania: <https://zendure.com/pages/download-center>.



Polityka prywatności

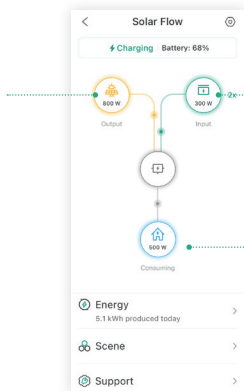
Używanie produktów, aplikacji i usług Zendure, oznacza wyrażenie zgody na Warunki użytkowania i Politykę prywatności Zendure, do których można uzyskać dostęp w sekcji "Informacje" na stronie "Użytkownik" w aplikacji Zendure

* Dodanie urządzenia i aktualizacja firmware do najnowszej wersji
Przy pierwszym użyciu urządzenia należy zaktualizować firmware za pomocą aplikacji Zendure. Więcej informacji można znaleźć w instrukcji obsługi aplikacji Zendure.

* Ustawienie mocy Mikrofalownika

Maksymalna moc wejścia energii solarnej systemu SolarFlow wynosi 800 W, moc można ustawić na Mikrofalowniku, a nadwyżka mocy zostanie automatycznie zmagazynowana w akumulatorze. Na przykład: Jeśli całkowity pobór energii solarnej wynosi 800 W i przy ustawieniu w Mikrofalowniku 200 W, moc na wejściu AB1000 lub AB2000 albo SuperBase V lub akumulatora satelitarnego będzie wynosiła 600 W.

Wejście solarne



Do AB1000 lub AB2000 albo SuperBase V lub akumulatora satelitarnego

Do Mikrofalownika

Wskazówki:

- Połączenie systemu z siecią zajmuje trochę czasu, a synchronizacja danych z aplikacją Zendure zajmuje około 20 minut, dlatego po instalacji, przed przejściem do ustawień aplikacji należy poczekać 20 minut.
- Zaleca się, aby w ciągu dnia magazynować jak najwięcej energii w akumulatorze, poza obsługą podstawowego zużycia energii. Sposób sprawdzenia podstawowego zużycia energii jest następujący:
 1. Obliczone zużycie energii urządzeń, które są zawsze używane w ciągu dnia lub 24 godziny na dobę, takie jak lodówki, routery i urządzenia w trybie gotowości.
 2. Tuż przed pójściem spać, zapisz aktualny odczyt licznika i czas pomiaru. Zaraz po przebudzeniu zapisz stan licznika i czas pomiaru. Obciążenie podstawowe można obliczyć na podstawie zużycia i czasu, który upłynął.
 3. Można użyć gniazdo pomiarowe, podłączane pomiędzy gniazdem zasilania, a odbiornikiem prądu. Aby obliczyć obciążenie podstawowe, należy zebrać pobór mocy ze wszystkich stale działających urządzeń (w tym znajdujących się w trybie gotowości) i zsumować wartości.

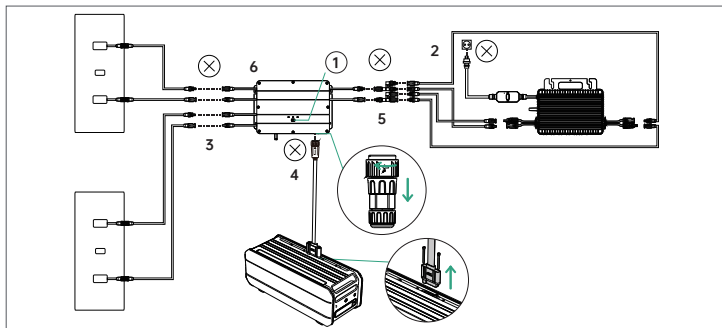
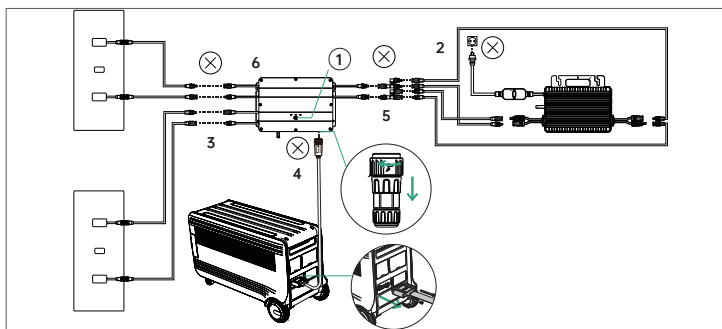
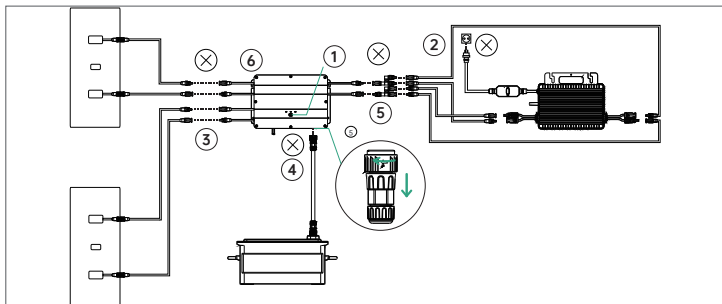
5.3.9 Odłączenie SolarFlow

Wskazówki:

Przed rozłączeniem należy wyłączyć SolarFlow

Naciśnij i przytrzymaj przycisk IOT przez 6 s, aby wyłączyć SolarFlow.

Jeśli akumulator to SuperBase V / akumulator satelitalny i nadal działa, aby go wyłączyć przytrzymaj także przycisk zasilania przez 3 s.



① Najpierw wyłącz SolarFlow . Naciśnij i przytrzymaj przycisk IOT przez 6 s, aby wyłączyć SolarFlow.

Jeśli akumulator to SuperBase V / akumulator satelitalny, aby go wyłączyć przytrzymaj także przycisk zasilania przez 6 s.

② Odłącz sieć domową, odłącz kable Mikrofalownika i gniazdo shuko sieci domowej.

③ Odłączenie paneli solarnych, odłącz kable dwóch paneli solarnych i Hub 2000.

④ Odłączenie AB1000 lub AB2000 albo SuperBase V lub akumulatora satelitalnego. Odłącz kable Hub 2000 i AB1000 lub AB2000 albo SuperBase V lub akumulatora satelitalnego.

⑤ Odłączenie Mikrofalownika, odłącz kable Mikrofalownika i Hub 2000.

⑥ Odkręć śruby mocujące Hub 2000 i Mikrofalownik, zdejmij Hub 2000 i Mikrofalownik ze ściany.

Wskazówki: Podczas demontażu należy zwrócić uwagę na przechowywanie i zachowanie wszystkich części do ponownego montażu.

Kontakt z nami

W przypadku jakichkolwiek pytań, prosimy o kontakt z nami w następujący sposób.

E-mail:

support@zendure.com
support-eu@zendure.com

Infolinia (USA):

+1(800)991-6148, od poniedziałku do piątku od 7:00 do 16:00 czasu pacyficznego (z wyjątkiem świąt państwowych)

Infolinia (UE):

+49-800-627-3067, od poniedziałku do piątku od 9:00 do 18:00 (z wyjątkiem świąt państwowych)

Strona internetowa Centrum pomocy technicznej:

USA: Support.zendure.com
DE: Support.zendure.com/portal/de

Jak ubiegać się o roszczenie gwarancyjne

Prosimy o przesłanie na adres e-mail naszego działu obsługi klienta wiadomości e-mail, zawierającej następujące informacje:

1. Numer zamówienia i dowód zakupu.
2. Numer seryjny.
3. Wideo lub zdjęcie wszelkich defektów lub uszkodzeń produktu.
4. Numer kontaktowy: Telefon/E-mail.



Szanowny Kliencie Zendure. Zeskanuj kod QR, aby uzyskać zawsze aktualne informacje dotyczące istnienia, ważności i terminu zakończenia ważności gwarancji.



Zendure USA Inc.
ZENDURE TECHNOLOGY CO., LIMITED
Hours: Mon - Fri 9:00 - 17:00
Phone: 001-800-991-6148 (US)
0049-800-627-3067 (DE)

Support / Contact:
<https://zendure.de/pages/contact>
<https://eu.zendure.com/pages/contact-us>
<https://zendure.com/pages/contact>
Website:
<https://zendure.de>
<https://eu.zendure.com>
<https://zendure.com>

EC	REP
-----------	------------

EU Importer: Zendure DE GmbH
Address: Hoferstraße 9B, 71636 Ludwigsburg
E-mail: support-eu@zendure.com

© 2024 Zendure USA Inc. All Rights Reserved.
Printed on recycled materials. MADE IN CHINA

